

JW (주)재원코리아
KOREA JAEWON KOREA CO.,LTD.

JW (주)재원하이텍
JAEWON HIGH-TECH CO.,LTD.



책임경영, Responsibility Management


가치창출, Value Create

고객만족, Customer Satisfaction

사회공헌, Society Contribution

Contents 목차

회사소개 Company Profile	03
JW5015 CONNECTOR(MIL-DTL-5015 Style)	05
JWB CONNECTOR(VG95234 Style)	21
JWGE CONNECTOR(VG96929 Style)	41
JW26482-I CONNECTOR(MIL-DTL-26482-I Style)	49
JW26482- II CONNECTOR(MIL-DTL-26482- II Style)	59
JWD38999-III CONNECTOR(MIL-DTL-38999-III Style)	69
JWD38999-IV CONNECTOR(MIL-DTL-38999-IV Style)	85
JW22992 Class C.J&R CONNECTOR(MIL-DTL-22992 Class C.J&R)	91
JW22992 Calss L CONNECTOR(MIL-DTL-22992 Calss L)	99
HERMETIC CONNECTOR	109
SPECIAL CONNECTOR	114
ADAPTER	115
CABLE ASSEMBLY	121
WIRING HARNESS	123
ELECTRIC ELECTRON Equipment	124

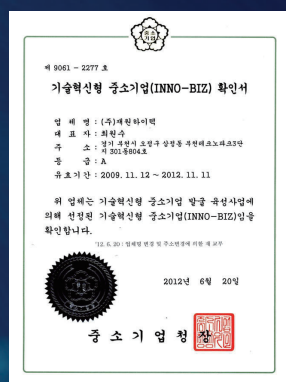
 (주)재원코리아

Greeting 인사말

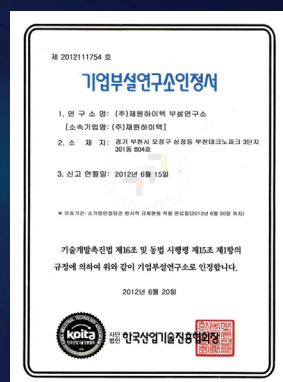
"당사는 1992년 창사 이래 전력기기 산업용 HARNESS, 군수 및 산업용 CABLE ASSEMBLY, MS Style CONNECTOR 및 Special CONNECTOR을 개발 / 생산하고 있으며, Global 산업환경에 부응하고자 지속적인 연구개발과 효과적인 설비투자과 함께 최고 품질 창출에 진력하고 있습니다.

앞으로, 품질 제일선의 가치를 걸고 고객을 섬기는 자세와 이를 적극 실천하는 (주)재원하이텍으로 거듭나면서 고객의 발전을 위한 파트너가 되겠습니다."

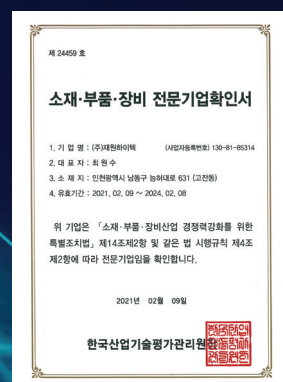
Our main products are HARNESS for power equipment industry. Cable Assembly for military and industrial use and MS Style CONNECTOR and special Connector etc. We make every efforts department wide to create the highest quality with continuous R&D and effective facility investment to meet the global industrial environment. We are ceaselessly renovating our system to be, prioritizing quality first, the best partner of our customers for help successful business.



INNO-BIZ 인증서



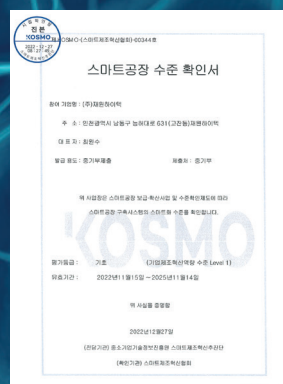
기업부설연구소 인정서



소재/부품/장비 전문기업확인서



AS9100인증



스마트공장수준확인서



특허증(변환커넥터)

(주)재원하이텍

Since our establishment in 1992, we Jaewon High-Tech, have been steadily growing up through developing and supplying high-quality products with ceaseless efforts of research and development.

HISTORY 회사연혁

- 2024.03 Establishment of JaeWon Korea
- 2023.10 MIL-DTL-26482-2 Style Series Connector & Adapter Development
- 2023.04 Build a Process Automation of Connector
- 2022.10 R&D Business operator Selection of Government Sponsored
Build a Process Automation of Cable Assembly
- 2022.06 Development of Large Capacity Connector & High Voltage Connector
- 2021.07 For Railroad Vehicle Connector Development
- 2020.08 MIL-DTL-5015A Style Series Connector & VG95234 Series Connector Development
- 2020.06 R&D Business Operator Selection of Government Sponsored
- 2020.05 Introduction & Set Up of SMART FACTORY
- 2020.02 MIL-DTL-26482-1 Style Series Connector Development
- 2019.03 Expansion & Relocation of Factory (631, Neungheodaero-ro, Namdong-gu Incheon)
- 2012.06 Laboratory Foundation
- 2012.02 Expansion & Relocation of Factory (301, Bucheon Techno-Park)
- 2011.07 Company Name Change (JaeWon High-Tech Co.,LTD)
- 2009.11 Obtain of INNO-BIZ & MAIN-BIZ Certification
- 2007.02 Obtain of Venture Company Certification
- 2005.07 Obtain of Parts Material one's Special Company Certification
- 2004.05 Expansion & Relocation of Factory (302, Bucheon Techno-Park)
- 2003.10 MIL-DTL- 5015A Style Connector & VG95234 Connector 8 Type Development
- 2002.02 Corporate Body be SeongJin C&H
Relocation of Factory (101, Bucheon Techno-Park)
- 1992.11 Foundation of JaeWon Mulsan

AGENCY 대리점



엠테크

경남 창원시 의창구 창원대로 390, 2층 203호(팔용동, 위딘빌딩)
Tel : 055-295-6111 / Fax : 055-295-6112
E-mail : m-tech365@naver.com
Web : <http://www.msconnector.kr>

MAIN CUSTOMER 주요고객



한국전력공사



현대로템주식회사



한화시스템



한화에어로스페이스



LIG 넥스원



인텍전기전자주식회사
ENTECH ELECTRIC & ELECTRONIC CO., LTD.

BHSYSTEM

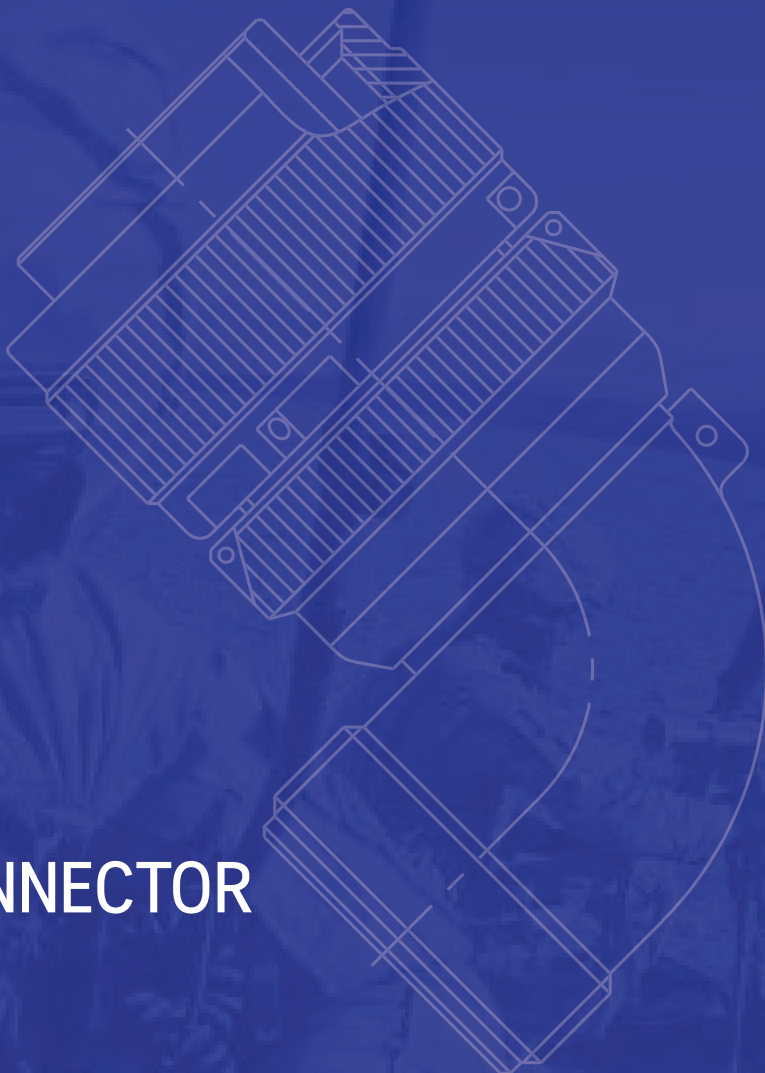


일진전기



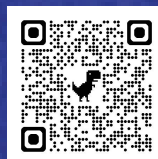
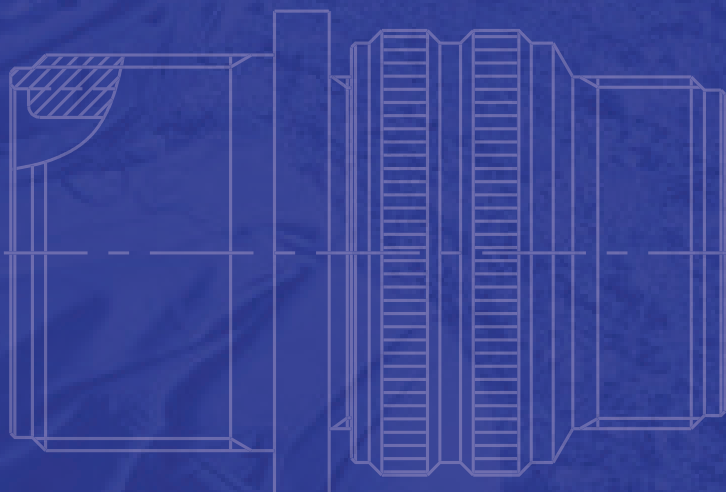
THE BEST SWITCHGEAR COMPANY





JW5015 CONNECTOR

(MIL-DTL-5015 Style)



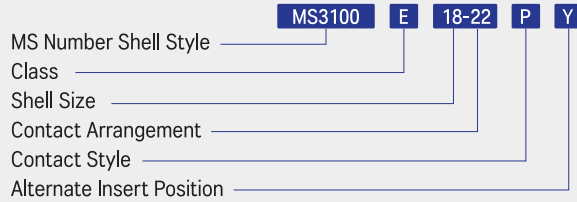
JW5015 series

MIL-DTL-5015 Style



주문정보 (Ordering Information)

Military Nomenclature



• MS Number Shell Style

- MS3100 - Wall Mounting Receptacle
- MS3101 - Cable Connecting Plug
- MS3102 - Box mounting Receptacle
- MS3106 - Straight Plug
- MS3108 - 90° Angle Plug

• Class

- A - Solid shell for general, non-environmental applications
- E - With resilient insulator and integral clamp for cable strain relief
- F - Same as E, However style 3106 with O-ring seal under the coupling nut
- R - With resilient insulator and shortened, lightweight endbell (additional sealing with O-ring under the coupling nut for shell styles 3106 and 3108)

• Shell Size

10SL, 14S, 16S, 16, 18, 20, 22, 24, 28, 32, 36

• Contact Arrangement

MIL-STD-1651에 따른다

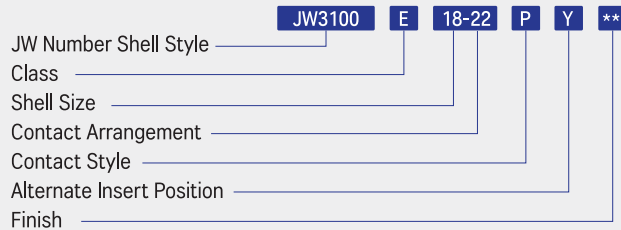
• Contact Style

- P - Pin Contact
- S - Socket Contact

• Alternate Insert Position

N(Normal), W, X, Y, Z(MIL-STD-1651)

JAEWON Nomenclature



• JW Number Shell Style

- JW3100 - Wall Mounting Receptacle
- JW3101 - Cable Connecting Plug
- JW3102 - Box mounting Receptacle
- JW3106 - Straight Plug
- JW3108 - 90° Angle Plug

• Class

- A - Solid shell for general, non-environmental applications
- E - With resilient insulator and integral clamp for cable strain relief
- F - Same as E, However style 3106 with O-ring seal under the coupling nut
- R - With resilient insulator and shortened, lightweight endbell (additional sealing with O-ring under the coupling nut for shell styles 3106 and 3108)

• Shell Size

10SL, 14S, 16S, 16, 18, 20, 22, 24, 28, 32, 36

• Contact Arrangement

MIL-STD-1651에 따른다

• Contact Style

P - Pin Contact S - Socket Contact

• Alternate Insert Position

N(Normal), W, X, Y, Z(MIL-STD-1651)

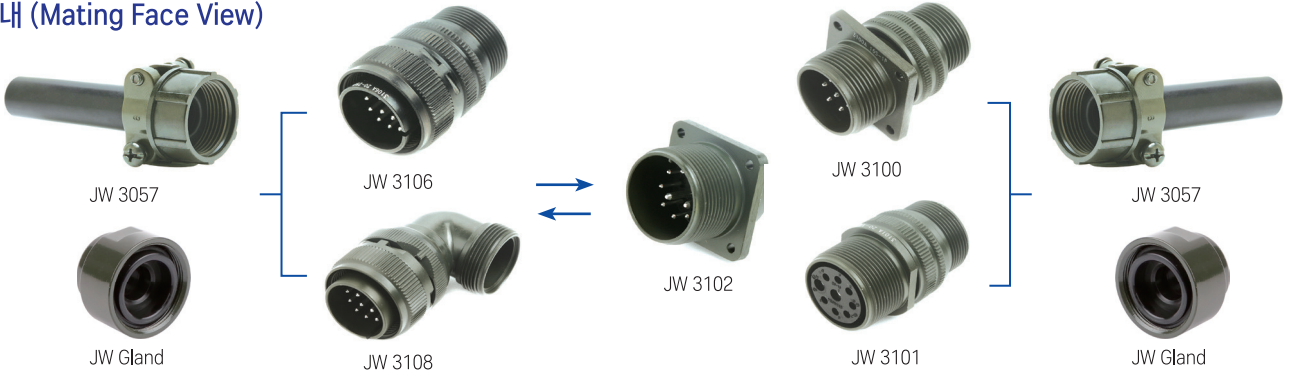
• Finish

- Blank Electro-deposition coating, olive drab (RoHS) (standard) / 전착국방
- D Electro-deposition coating, black (RoHS) / 전착흑색
- W Cadmium chromate over zinc plating / 카드뮴
- G Olive drab over zinc plating / 아연국방
- B Black over zinc plating / 아연흑색
- R Electroless nickel plating/무전해니켈
- N Nickel plating/니켈
- Z Black trivalent chromate over zinc plating (RoHS) / 아노다이징

JW5015 series

MIL-DTL-5015 Style

결합안내 (Mating Face View)



기술적 정보 (Technical Data)

표준 재질 및 보호피막
(Standard Materials and Finishes)

Portion	Materials	Finishes
몸체 (Shell)	Aluminum alloy	국방 전착도장(Cobalt Electro Deposition Coating)
절연체 (Insulator)	Polychloroprene (resilient)	-
접점 (Contacts)	Brass	Silver plate

전기적 특성
(Electrical Data)

절연저항 (Insulation Resistance)	5,000MΩ Min. (at 25°C)
사용온도범위 (Operating Temperature Range)	-55°C ~ +125°C
내구성 (Durability)	500 cycle, mate and unmate
방수등급 (Waterproof Grade)	IP67

접점배열 서비스 등급 (Contact Arrangements Service Rating)

Service Rating	Dielectric Withstanding Voltage			Contact Engaging & Separating Force			
	Test Voltage AC(rms)	Operating Voltage AC (rms) DC		Contact Size	Force in Lbs		
inst.	1,000	200	250	16	3.00	2.06	0.13
A	2,000	500	700	12	5.00	3.50	0.19
D	2,800	900	1,250	8	10.00	-	0.31
E	3,500	1,250	1,750	4	15.00	-	0.63
B	4,500	1,750	2,450	0	20.00	-	0.94
C	7,000	3,000	4,200				

Altitude Voltage Derating Chart

Service Rating	Nominal Distance		Standard Sea Level Conditions		Pressure Altitude 70,000 ft	
	Airspace	Creepage	Minimum Flashover Voltage AC(rms)	Test Voltage AC(rms)	Minimum Flashover Voltage AC(rms)	Test Voltage AC(rms)
inst.	1/32	1/16	1400	1,000	325	260
A	1/16	1/8	2800	2,000	450	360
D	1/8	3/16	3600	2,800	500	400
E	3/16	1/4	4500	3,500	550	440
B	1/4	5/16	5700	4,500	600	480
C	5/16	1	8500	7,000	700	560

Contact Size	Pin Contact Dia.	Solder Pot Dia.	Current(A) Rating (Mated With Insulators)	Contact Resistance		Wire Range Accommodations		
				Test Current (A)	Potential Drop Max(mV)	Wire Size (AWG)	Wire Normal Square Size(mm²)	Dielectric Material Outer Dia.
16	1.6	2.0	13A	20A	21	16~22	≤1.3	1.7~3.3
12	2.4	3.0	23A	35A	20	12~14	≤3.5	2.9~4.3
8	3.6	5.2	46A	60A	12	8~10	≤8.0	4.2~6.4
4	5.7	8.5	80A	110A	10	6~4	≤22.0	7.0~9.4
0	9.1	12.0	150A	200A	10	0~2	≤50.0	10.6~14.0

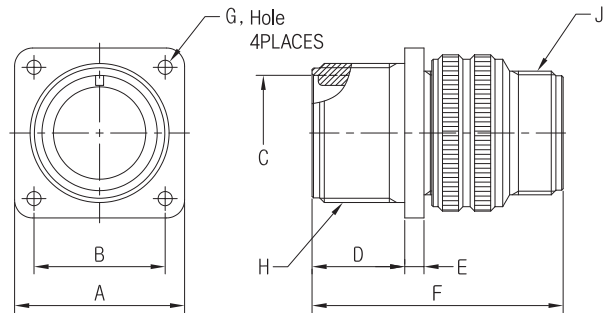
JW5015 series

MIL-DTL-5015 Style

JW3100A

MS3100 Style

Wall Mounting Receptacle



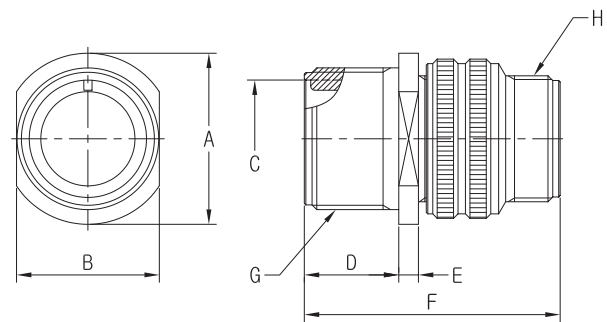
UNIT: mm

Size	A ±0.79	B ±0.12	∅C +0.38 -0.00	D +0.79 -0.00	E Max./Min.	F Min.	∅G +0.25 -0.13	H Thread. (Class : 2A)	J Thread. (Class : 2A)
10SL	25.40	18.26	11.38	14.28	3.96/1.58	38.0	3.05	5/8-24UNEF	5/8-24UNEF
14S	30.18	23.01	17.33	14.28	3.96/1.58	42.0	3.05	7/8-20UNEF	3/4-20UNEF
16S	32.54	24.61	20.50	14.28	3.96/1.58	42.0	3.05	1-20UNEF	7/8-20UNEF
16	32.54	24.61	20.50	19.05	3.96/1.58	52.0	3.05	1-20UNEF	7/8-20UNEF
18	34.93	26.97	23.68	19.05	5.12/2.39	52.0	3.05	1 1/8-18UNEF	1-20UNEF
20	38.10	29.36	26.88	19.05	5.12/2.39	55.0	3.05	1 1/4-18UNEF	1 3/16-18UNEF
22	41.28	31.75	30.03	19.05	5.12/2.39	55.0	3.05	1 3/8-18UNEF	1 3/16-18UNEF
24	44.45	34.93	33.20	20.63	5.12/2.39	58.0	3.73	1 1/2-18UNEF	1 7/16-18UNEF
28	50.80	39.67	38.77	20.63	5.12/2.39	67.0	3.73	1 3/4-18UNS	1 7/16-18UNEF
32	57.15	44.45	45.12	22.23	9.11/3.18	85.0	4.39	2-18UNS	1 3/4-18UNS
36	63.50	49.23	50.68	22.23	9.11/3.18	85.0	4.39	2 1/4-16UN	2-18UNS

JW3101A

MS3101 Style

Cable Connecting Plug



UNIT: mm

Size	∅A. Max.	B Max.	∅C +0.38 -0.00	D +0.79 -0.00	E Max./Min.	F Min.	G Thread. (Class : 2A)	H Thread. (Class : 2A)
10SL	21.8	16.2	11.38	14.28	3.96/1.58	38.0	5/8-24UNEF	5/8-24UNEF
14S	28.2	22.5	17.33	14.28	3.96/1.58	42.0	7/8-20UNEF	3/4-20UNEF
16S	31.4	25.6	20.50	14.28	3.96/1.58	42.0	1-20UNEF	7/8-20UNEF
16	31.4	25.6	20.50	19.05	3.96/1.58	52.0	1-20UNEF	7/8-20UNEF
18	34.5	28.8	23.68	19.05	5.12/2.39	52.0	1 1/8-18UNEF	1-20UNEF
20	37.6	32.0	23.68	19.05	5.12/2.39	55.0	1 1/4-18UNEF	1 3/16-18UNEF
22	41.0	35.2	30.03	19.05	5.12/2.39	55.0	1 3/8-18UNEF	1 3/16-18UNEF
24	43.8	38.4	33.20	20.63	5.12/2.39	58.0	1 1/2-18UNEF	1 7/16-18UNEF
28	50.5	44.8	38.77	20.63	5.12/2.39	67.0	1 3/4-18UNS	1 7/16-18UNEF
32	57.0	51.2	45.12	22.23	9.11/3.18	85.0	2-18UNS	1 3/4-18UNS
36	63.2	57.5	50.68	22.23	9.11/3.18	85.0	2 1/4-16UN	2-18UNS

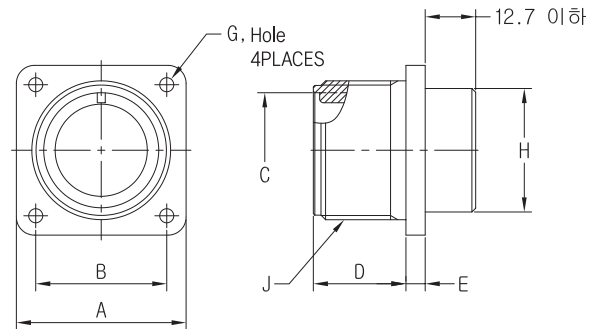
JW5015 series

MIL-DTL-5015 Style

JW3102A

MS3102 Style

Box Mounting Receptacle



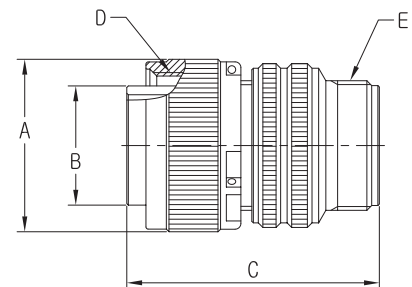
UNIT: mm

Size	A ±0.79	B ±0.12	∅C +0.38 -0.00	D +0.79 -0.00	E Max./Min.	∅G +0.25 -0.13	∅H Max.	J Thread. (Class : 2A)
10SL	25.40	18.26	11.38	14.28	3.96/1.58	3.05	20.62	5/8-24UNEF
14S	30.18	23.01	17.33	14.28	3.96/1.58	3.05	23.83	7/8-20UNEF
16S	32.54	24.61	20.50	14.28	3.96/1.58	3.05	26.97	1-20UNEF
16	32.54	24.61	20.50	19.05	3.96/1.58	3.05	26.97	1-20UNEF
18	34.93	26.97	23.68	19.05	5.12/2.39	3.05	30.18	1 1/8-18UNEF
20	38.10	29.36	26.88	19.05	5.12/2.39	3.05	33.32	1 1/4-18UNEF
22	41.28	31.75	30.03	19.05	5.12/2.39	3.05	36.53	1 3/8-18UNEF
24	44.45	34.93	33.20	20.63	5.12/2.39	3.73	39.97	1 1/2-18UNEF
28	50.80	39.67	38.77	20.63	5.12/2.39	3.73	46.02	1 3/4-18UNS
32	57.15	44.45	45.12	22.23	9.11/3.18	4.39	52.37	2-18UNS
36	63.50	49.23	50.68	22.23	9.11/3.18	4.39	58.72	2 1/4-16UN

JW3106A

MS3106 Style

Straight Plug



UNIT: mm

Size	∅A Max.	∅B +0.00 -0.38	C Min.	D Thread. (Class : 2B)	E Thread. (Class : 2A)
10SL	24.61	11.33	38.0	5/8-24UNEF	5/8-24UNEF
14S	29.36	17.15	42.0	7/8-20UNEF	3/4-20UNEF
16S	31.75	20.45	42.0	1-20UNEF	7/8-20UNEF
16	31.75	20.45	52.0	1-20UNEF	7/8-20UNEF
18	34.13	23.62	52.0	1 1/8-18UNEF	1-20UNEF
20	37.31	26.67	55.0	1 1/4-18UNEF	1 3/16-18UNEF
22	40.48	29.85	55.0	1 3/8-18UNEF	1 3/16-18UNEF
24	43.66	33.02	58.0	1 1/2-18UNEF	1 7/16-18UNEF
28	50.01	38.61	67.0	1 3/4-18UNS	1 7/16-18UNEF
32	56.36	44.96	85.0	2-18UNS	1 3/4-18UNS
36	62.71	50.29	85.0	2 1/4-16UN	2-18UNS

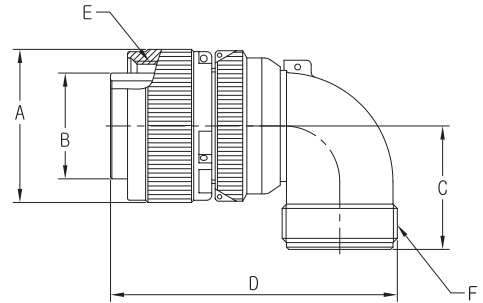
JW5015 series

MIL-DTL-5015 Style

JW3108A, E, F, R

JW3108 Style

90° Angle plug



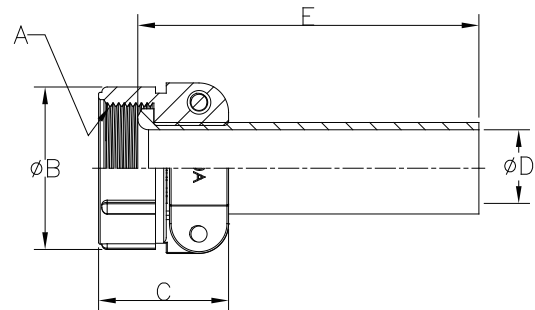
UNIT: mm

Size	øA Max.	øB +0.00 -0.3	C Max.	D Max.	E Thread. (Class : 2B)	F Thread. (Class : 2A)
10SL	24.61	11.33	25.40	55.58	5/8-24UNEF	5/8-24UNEF
14S	29.36	17.15	28.57	58.72	7/8-20UNEF	3/4-20UNEF
16S	31.75	20.45	30.17	61.11	1-20UNEF	7/8-20UNEF
16	31.75	20.45	30.17	70.64	1-20UNEF	7/8-20UNEF
18	34.13	23.62	33.32	72.24	1 1/8-18UNEF	1-20UNEF
20	37.31	26.67	34.92	82.55	1 1/4-18UNEF	1 3/16-18UNEF
22	40.48	29.85	34.92	82.55	1 3/8-18UNEF	1 3/16-18UNEF
24	43.66	33.02	39.67	94.46	1 1/2-18UNEF	1 7/16-18UNEF
28	50.01	38.61	39.67	94.46	1 3/4-18UNS	1 7/16-18UNEF
32	56.36	44.96	47.62	106.38	2-18UNS	1 3/4-18UNS
36	62.71	50.29	52.37	109.14	2 1/4-16UN	2-18UNS

JW3057

MS3057 Style

Cable Clamp



UNIT: mm

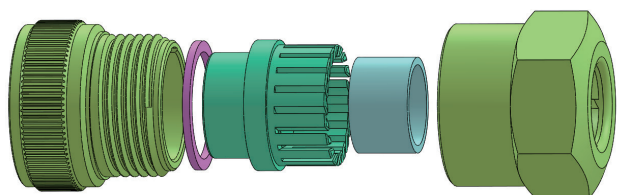
Part Number	Size	A Thread (Class : 2B)	øB ±0.8	C ±0.8	øD ±0.4	F ±0.8
4A	10SL,12	5/8-24UNEF	20.6	20.6	5.6	69.8
6A	14S,14	3/4-20UNEF	24.6	22.2	7.9	66.7
8A	16S,16	7/8-20UNEF	27.8	23.8	11.1	63.5
10A	18	1-20UNEF	30.2	23.8	14.3	60.3
12A	20,22	1 3/16-18UNEF	34.9	23.8	15.9	57.1
16A	24,28	1 7/16-18UNEF	42.1	26.2	19.0	54.0
20A	32	1 3/4-18UNS	51.6	27.8	23.8	50.8
24A	36	2-18 UNS	56.4	29.4	31.7	47.6

JW5015 series

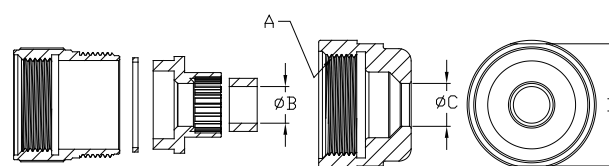
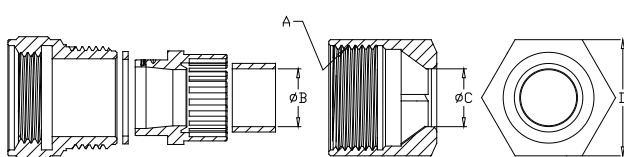
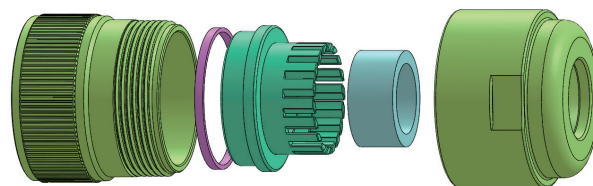
MIL-DTL-5015 Style

JW Gland Clamp Type Termination Assembly

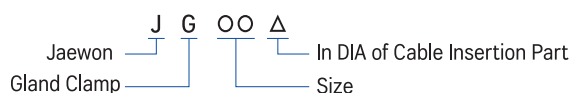
Size : 10SL, 14S, 16S, 16



Size : 18, 20, 22, 24, 28



Gland Clamp Part No. Classification



Gland Clamp Table

UNIT: mm

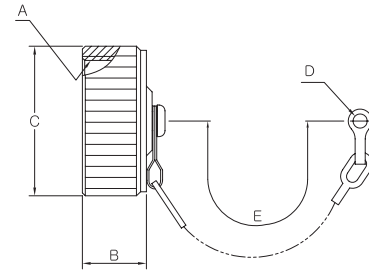
Part Number	Size	A	øB	øC (Cable Packing)	D (Gland Cap)	Application in Cable (Out DIA)	Cable Packing Composition (In DIA)
JG 10S	10SL	5/8-24 UNEF-2B	6.5	8.1	18.1	ø3.0~6.5	ø6.5 : 1EA ø8.5 : 1EA
JG 10L	10SL	5/8-24 UNEF-2B	8.5	8.1	18.1	ø4.0~7.9	ø8.5 : 1EA
JG 14S	14S	3/4-20 UNEF-2B	8.5	10.3	21.4	ø3.0~6.5	ø8.5 : 1EA ø10.0 : 1EA
JG 14L	14S	3/4-20 UNEF-2B	10.0	10.3	21.4	ø5.0~10.0	ø10.0 : 1EA
JG 16S	16	7/8-20 UNEF-2B	10.0	12.1	24.9	ø5.0~9.8	ø10.0 : 1EA ø13.0 : 1EA
JG 16L	16	7/8-20 UNEF-2B	13.0	12.1	24.9	ø5.6~11.9	ø13.0 : 1EA
JG 18S	18,20,22	1-20 UNEF-2B (18 Size) 1 3/16-18 UNEF-2B (20, 22 Size)	6.5	12.3	32.2	ø4.0~8.3	ø8.5 : 1EA ø10.0 : 1EA
JG 18M	18,20,22		10.5	12.3	32.2	ø8.2~10.5	ø10.5 : 1EA
JG 18L	18,20,22		13.5	14.0	32.2	ø10.5~13.5	ø13.5 : 1EA
JG 24S	24,28	1 7/16-18 UNEF-2B	13.5	18.5	38.0	ø10.5~13.5	ø13.5 : 1EA ø16.5 : 1EA
JG 24M	24,28	1 7/16-18 UNEF-2B	16.5	18.5	38.0	ø11.6~16.3	ø16.5 : 1EA
JG 24L	24,28	1 7/16-18 UNEF-2B	17.5	18.5	38.0	ø12.4~17.3	ø17.5 : 1EA

JW5015 series accessories

MIL-DTL-5015 Style

JW25043 (Receptacle Cap)

JW25043-XXD

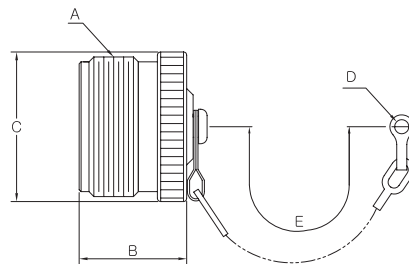


UNIT: mm

Part No.	Size	B Max.	øC Max.	E ±One Link	øD ±0.1 Max.	A Thread (Class : 2B)
10D	10S,10SL	11.91	20.70	84	3.9	5/8-24UNEF
14D	14,14S	11.91	25.58	84	3.9	7/8-20UNEF
16D	16,16S	11.91	30.18	84	3.9	1-20UNEF
18D	18	11.91	34.14	100	3.9	1 1/8-18UNEF
20D	20	11.91	37.31	100	3.9	1 1/4-18UNEF
22D	22	11.91	40.49	120	3.9	1 3/8-18UNEF
24D	24	11.91	43.66	120	3.9	1 1/2-18UNEF
28D	28	13.49	50.01	120	3.9	1 3/4-18UNS
32D	32	13.49	56.36	148	3.9	2-18UNS
36D	36	13.49	62.71	148	3.9	2 1/4-16UN

JW25042 (Plug Cap)

JW25042-XXD



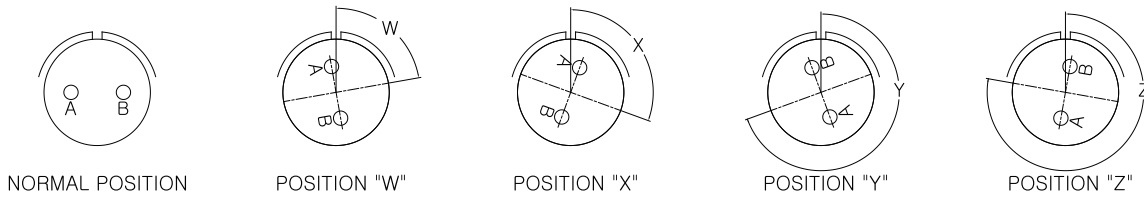
UNIT: mm

Part No.	Size	B Max.	øC Max.	E ±One Link	øD ±0.1 Max.	A Thread (Class : 2A)
10D	10S,10SL	16.66	17.45	125.0	3.9	5/8-24UNEF
14D	14,14S	21.44	23.80	125.0	3.9	7/8-20UNEF
16D	16,16S	21.44	26.97	125.0	3.9	1-20UNEF
18D	18	21.44	30.15	140.0	3.9	1 1/8-18UNEF
20D	20	21.44	33.32	140.0	3.9	1 1/4-18UNEF
22D	22	21.44	36.50	160.0	3.9	1 3/8-18UNEF
24D	24	21.44	39.67	160.0	3.9	1 1/2-18UNEF
28D	28	21.44	46.02	160.0	3.9	1 3/4-18UNS
32D	32	21.44	52.37	190.0	3.9	2-18UNS
36D	36	21.44	58.72	190.0	3.9	2 1/4-16UN

JW5015 series

Alternate Insert Positions (Insulator Rotation Angle)

Key way View(키 보기) : into front face of pin(+) insert or rear of socket(-) insert (핀(+) 전면측 기준, 소켓(-) 후면측 기준)

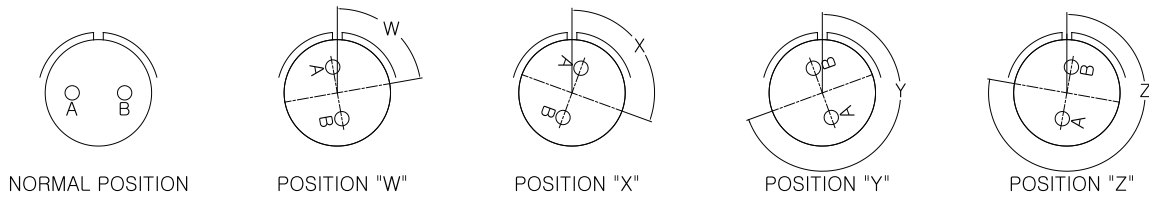


Shell Size	Contact Arrangement	Contact & Wire Size	Service Rating	Alternate Insert Positions(Degree)			
				W	X	Y	Z
10SL	10SL-3	3#16	A	-	-	-	-
	10SL-4	2#16	A	-	-	-	-
14S	14S-1	3#16	A	-	-	-	-
	14S-2	4#16	Inst.	-	120	240	-
	14S-5	5#16	Inst.	70	145	-	-
	14S-6	6#16	Inst.	-	110	-	-
	14S-7	3#16	A	90	-	270	-
	14S-9	2#16	A	70	180	215	-
	14SA7	7#16	Inst.	-	145	-	290
	14SA10	10#16	Inst.	-	-	-	-
16S	16S-01	8#18	A	-	-	-	-
	16S-1	7#16	A	80	-	-	280
	16S-4	2#16	D	35	110	250	325
	16S-5	3#16	A	70	145	215	290
	16S-6	3#16	A	90	180	270	-
16	16S-8	5#16	A	-	170	265	-
	16-9	2#16, 2#12	A	35	110	250	325
	16-10	3#12	A	90	180	270	-
	16-11	2#12	A	35	110	250	325
18	16-13	2#12	A	35	110	250	325
	18-1	10#16	A	70	145	215	290
	18-3	2#12	D	35	110	250	325
	18-4	4#16	D	35	110	250	325
	18-5	1#16, 2#12	D	80	110	250	280
	18-8	7#16, 1#12	A	70	-	-	290
	18-9	5#16, 2#12	Inst.	80	110	250	280
	18-10	4#12	A	-	120	240	-
	18-11	5#12	A	-	170	265	-
	18-12	6#16	A	80	-	-	280
20	18-13	3#12, 1#8	A	80	110	250	280
	18-19	10#16	A	-	120	240	-
	18-22	3#16	D	70	145	215	290
	18-32	8#16	A	70	145	215	290
	20-3	3#12	D	70	145	215	290
	20-4	4#12	D	70	110	250	-
	20-7	8#16	A(C-7), D(A,B,G,H)	80	110	250	280
	20-8	4#16, 2#8	Inst.	80	110	250	280
	20-11	13#16	Inst.	-	-	-	-
	20-14	3#12, 2#8	A	80	110	250	280
	20-15	7#12	A	80	-	-	280
	20-16	7#16, 2#12	A	80	110	250	280
22	20-17	1#16, 5#12	A	90	180	270	-
	20-18	6#16, 3#12	A	35	110	250	325
	20-19	3#8	A	90	180	270	-
	20-22	3#16, 3#8	A	80	110	250	280
	20-23	2#8	A	35	110	250	325
	20-24	2#16, 2#8	A	35	110	250	325
	20-27	14#16	A	35	110	-	325
	20-29	17#16	A	80	-	-	280
	20-33	11#16	A	-	-	215	-
	20A24	24#20	Inst.	-	-	-	-
22	20A48	19#16	Inst.	-	80	280	-
	22-2	3#8	D	70	145	215	290
	22-4	2#12, 2#8	A	35	110	250	325
	22-5	4#16, 2#12	D	35	110	250	35
	22-8	2#12	D	35	110	250	325
	22-9	3#12	E	70	145	215	290
	22-10	4#16	E	35	110	250	325
	22-11	2#16	B	35	110	250	325
	22-12	3#16, 2#8	D	80	110	250	280
	22-13	1#16, 4#12	A(A-D), D(E)	35	110	250	325
	22-14	19#16	A	80	110	250	280
	22-15	1#16, 5#12	A(A-C,E,F), E(D)	80	110	250	280
22-18	8#16	A(C-E), A(all others)	80	110	250	280	
22-19	14#16	A	80	110	250	280	
22-20	9#16	A	35	110	250	325	

JW5015 series

Alternate Insert Positions (Insulator Rotation Angle)

Key way View(키 보기) : into front face of pin(+) insert or rear of socket(-) insert (핀(+) 전면측 기준, 소켓(-) 후면측 기준)



Shell Size	Contact Arrangement	Contact & Wire Size	Service Rating	Alternate Insert Positions(Degree)			
				W	X	Y	Z
22	22-22	4#8	A	-	110	250	-
	22-23	8#12	D(H), A(all others)	35	-	250	-
	*22-27	8#16, 1#8	D(J), A(all others)	80	-	250	280
24	24-2	7#12	D	80	-	-	280
	*24-5	16#16	A	80	110	250	280
	24-6	8#12	D(A,G,H), A(all others)	80	110	250	280
	24-7	14#16, 2#12	A	80	110	250	280
	24-9	2#4	A	35	110	250	325
	24-10	7#8	A	80	-	250	280
	24-11	6#12, 3#8	A	35	110	250	325
	24-12	3#12, 2#4	A	80	110	250	280
	24-20	9#16, 2#12	D	80	110	250	280
	24-22	4#8	D	45	110	250	-
	24-27	7#16	E	80	-	-	280
24-28	24#16	Inst.	80	110	250	280	
24A28	28#16	Inst.	-	-	-	-	
28	28-1	6#12	D(A,E,J), A(all others)	80	110	250	280
	*28-2	12#16, 2#12	D	35	110	250	325
	28-6	3#4	D	70	145	215	290
	28-7	2#4	D	35	110	250	325
	28-9	6#16, 6#12	D	80	110	250	280
	28-10	3#12, 2#8, 2#4	D(G), A(all others)	80	110	250	280
	28-11	18#16	A	80	110	250	280
	28-12	26#16	A	90	180	270	-
	28-15	35#16	A	80	110	250	280
	28-16	20#16	A	80	110	250	280
	28-17	15#16	A(A-L), B, D(M-P)	80	110	250	280
	28-18	12#16	C, D, A, Inst.	70	145	215	290
	*28-19	6#16, 4#12	A(C,E,G,J,K,L), B(H,M), D(A,B)	80	110	250	280
	28-20	4#16, 10#12	A	80	110	250	280
	28-21	37#16	A	80	110	250	280
	*28-22	3#16, 3#4	D	70	145	215	290
	28A5	2#0, 2#16	E	-	-	-	-
28A16	5#16, 4#4	A(E), Inst.(all others)	-	-	-	-	
32	*32-1	3#12, 2#0	E(A), D(all others)	80	110	250	280
	32-5	2#0	D	35	110	250	325
	32-6	16#16, 2#12, 3#8, 2#4	A	80	110	250	280
	32-7	28#16, 7#12	Inst.(A,B,H,J), A(all others)	80	110	235	280
	32-8	24#16	A	80	110	235	280
	*32-9	12#16	D	80	110	250	280
	32-15	2#0, 6#12	D	35	110	250	280
	32-17	4#4	D	45	110	250	-
	32-22	54#16	A	80	110	250	280
	32-73	46#16	A	36	-	-	-
	32A5	5#4	D	-	-	-	-
36	36-1	18#16, 4#12	A	80	110	250	280
	36-3	3#12, 3#0	D	70	145	215	290
	36-4	3#0	A(B,C)	70	145	215	290
	36-5	4#0	A	-	120	240	-
	36-6	4#4, 2#0	A	35	110	250	325
	36-7	40#16, 7#12	A	80	110	250	280
	36-8	46#16, 1#12	A	80	110	250	280
	36-9	14#16, 14#12, 2#8, 1#4	A	80	125	235	280
	36-10	48#16	A	80	125	235	280
	*36-15	35#16	D(M), A(all others)	60	125	245	305

JW5015 series

MIL-C-5015 Connectors Contact Arrangements

1 CONTACTS



12S-4
1-#16
D



14S-4
1-#16
D



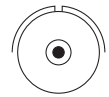
16S-3
1-#16
B



16-2
1-#12
E



16-12
1-#4
A



18-7
1-#8
B



18-16
1-#12
C



22-7
1-#0
E

Shell Size & Insert Arrangement
No. of Contact & Contact Size
Service Rating

2 CONTACTS



10SL-4
2-#16
A



14S-9
2-#16
A



16S-4
2-#16
D



16-11
2-#12
A



16-13
2-#12
A



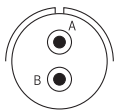
18-3
2-#12
D



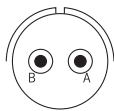
18-14
1-#16, 1-#4
A



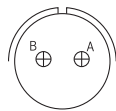
20-12
1-#16, 1-#4
A



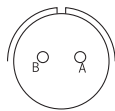
20-23
2-#8
A



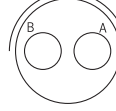
22-1
2-#8
D



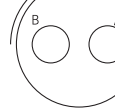
22-8
2-#12
E



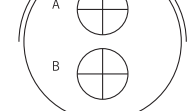
22-11
2-#16
B



24-9
2-#4
A



28-7
2-#4
A



32-5
2-#0
D

3 CONTACTS



10SL-3
3-#16
A



14S-1
3-#16
A

100° Rotation of (14S-7)



14S-12
3-#16
A



16S-5
3-#16
A



16S-6
3-#16
A



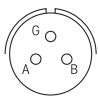
16-7
2-#16, 1-#8
A



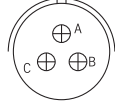
16-10
3-#12
A



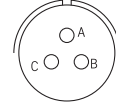
18-5
1-#16, 2-#12
D



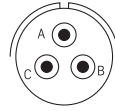
18-22
3-#16
D



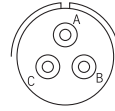
20-3
3-#12
D



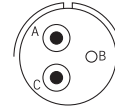
20-6
3-#16
D



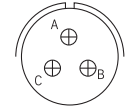
20-19
3-#8
A



22-2
3-#8
D



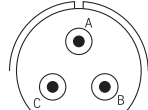
22-6
1-#16, 2-#8
D



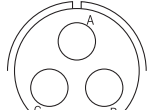
22-9
3-#12
E



22-21
2-#16, 1-#0
A



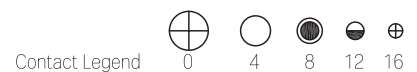
28-3
3-#8
E



28-6
3-#4
D



36-4
3-#0
D(A), A(BC)



JW5015 series

MIL-C-5015 Connectors Contact Arrangements

4 CONTACTS



14S-2
4-#16
inst.



100°Rotation of (14S-2)
14S-10
inst.



16-9
2-#16, 2-#12
A



18-4
4-#16
D



18-10
4-#12
A



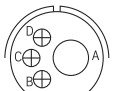
18-13
3-#12, 1-#8
A



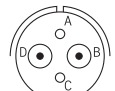
18-15
4-#12
A



20-4
4-#12
D



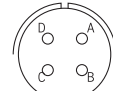
20-20
3-#12, 1-#4
A



20-24
2-#16, 2-#8
A



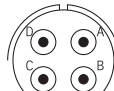
22-4
2-#12
2-#8



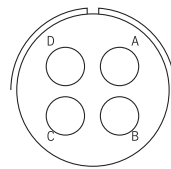
22-10
4-#16
E



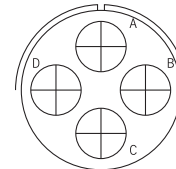
22-22
4-#8
A



24-22
4-#8
D



32-17
4-#4
D



36-5
4-#0
A

Shell Size & Insert Arrangement
No. of Contact & Contact Size
Service Rating

5 CONTACTS



14S-5
5-#16
inst.



16S-8
5-#16
A



18-11
5-#12
A



18-20
5-#16
A



18-29
5-#16
A



100° Rotation of (18-20)
18-30
5-#16
A



20-14
3-#12, 2-#8
A



22-12
3-#16, 2-#8
D



22-13
1-#16, 4-#12
A(A, B, C, D), D(E)



22-34
2-#16, 3-#12
D



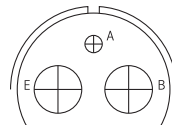
24-12
2-#4, 3-#12
A



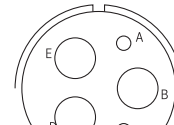
24-17
3-#16, 2-#12
D



28-5
2-#16, 1-#16, 2-#4
D



32-1
3-#12, 2-#0
E(A), D(B, C, D, E)



32-2
2-#16, 3-#4
E

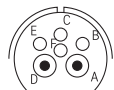
6 CONTACTS



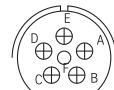
14S-6
6-#16
inst.



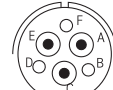
18-12
6-#16
A



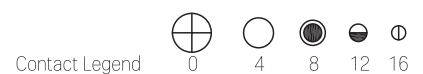
20-8
4-#16, 2-#8
inst.



20-17
1-#16, 5-#12
A



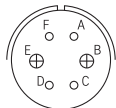
20-22
3-#16, 3-#8
A



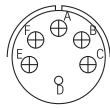
JW5015 series

MIL-C-5015 Connectors Contact Arrangements

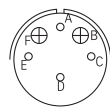
6 CONTACTS



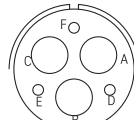
22-5
4-#16, 2-#12
D



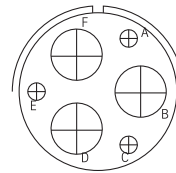
22-15
1-#16, 5-#12
A(A,B,C,E,F), E(D)



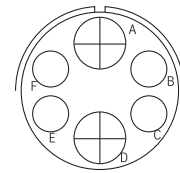
22-24
4-#16, 2-#12
A(A,B,F), D(C,D,E)



28-22
3-#16, 3-#4
D



36-3
3-#12, 3-#0
D



36-6
4-#4, 2-#0
A

7 CONTACTS



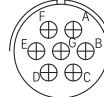
16S-1
7-#16
A



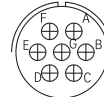
18-9
5-#16, 2-#12
inst.



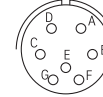
100° Rotation of (18-9)
18-17
5-#16, 2-#12
inst.



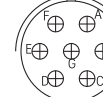
20-15
7-#12
A



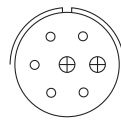
22-28
7-#12
A



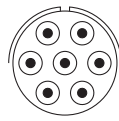
22-33
7-#16
D(A-D), A(E-G)



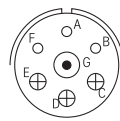
24-2
7-#12
D



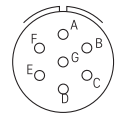
24-3
5-#16, 2-#12
D



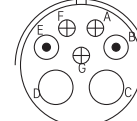
24-10
7-#8
A



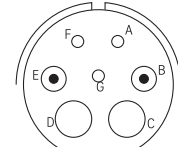
24-16
3-#16, 3-#12, 1-#8
D(A,B,G), A(C,D,E)



24-27
7-#16
E



28-10
3-#12, 2-#8, 2-#4
D(G)BAL=A

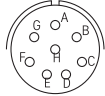


32-10
3-#16, 2-#8, 2-#4
E(A,F), A(C,D), D(B,E)

8 CONTACTS



18-8
7-#16, 1-#12
A



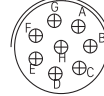
20-7
8-#16
D(A,B,G,H), A(C,D,E,F)



20-9
7-#16, 1-#12
BAL=A



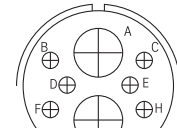
22-18
8-#16
D(A,B,F,G,H), A(C,D,E)



22-23
8-#12
D(H), BAL=A



24-6
8-#12
D(A,G,H), BAL=A



32-15
6-#12, 2-#0
D

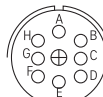
9 CONTACTS



20-16
7-#16, 2-#12
A



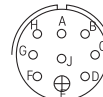
20-18
6-#16, 3-#12
A



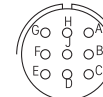
20-21
8-#16, 1-#12
A



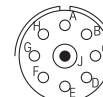
22-16
6-#16, 3-#12
A



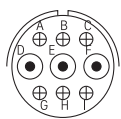
22-17
8-#16, 1-#12
D(A), BAL=A



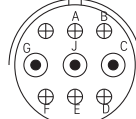
22-20
9-#16
A



22-27
8-#16, 1-#8
D(J), BAL=A



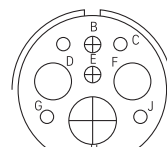
24-11
6-#12, 3-#8
A



28-1
6-#12, 3-#8
D(A,J,E), BAL=A

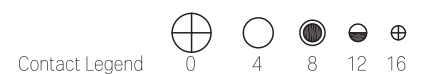


28-4
7-#16, 2-#12
E(G,P,S), BAL=D



32-3
4-#16, 2-#4, 2-#12, 1-#0
D

Shell Size & Insert Arrangement
No. of Contact & Contact Size
Service Rating



JW5015 series

MIL-C-5015 Connectors Contact Arrangements

10 CONTACTS



18-1
10-#16
A,B,C,G,G=Inst., BAL.



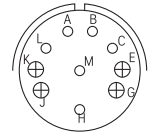
18-19
10-#16
A



250° Rotation of(18-1)
18-24
10-#16
A(B,C,F,G)Inst., BAL.



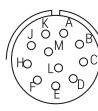
24-21
9-#16, 1#8
D



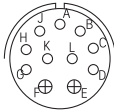
28-19
6-#16, 4-#12
B(H,M),D,B,BAL.=A

Shell Size & Insert Arrangement
No. of Contact & Contact Size
Service Rating

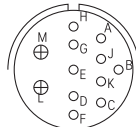
11 CONTACTS



20-33
11-#16
A



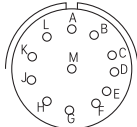
24-20
9-#16, 2-#12
D



28-8
10-#16, 2-#12
E(L,M), D,B,BAL.=A



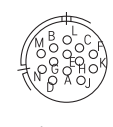
28-9
6-#16, 6-#12
D



28-18
12-#16
C,M,D(G,H,J,K,L), A(A,B)=Inst.
BAL.



20-11
13-#16
Inst.



100° Rotation of
(20-11)
20-25
13-#16
Inst.



250° Rotation of
(20-11)
20-30
13-#16
Inst.

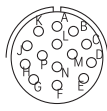
12 CONTACTS

13 CONTACTS

14 CONTACTS



20-27
14-#16
A



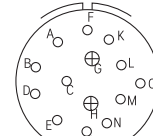
22-19
14-#16
A



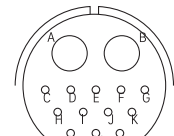
28-20
12-#16, 2-#12
D



28-20
4-#16, 10-#12
A



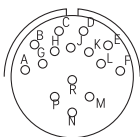
32-4
12-#16, 2-#12
A,F(J,K,N), D,B,BAL.=D



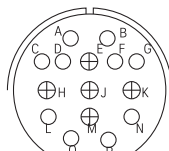
32-9
12-#16, 2-#4
D

15 CONTACTS

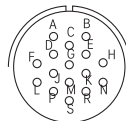
16 CONTACTS



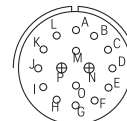
28-17
15-#16
B(R),O(M,N,P), A(A~L)



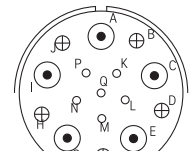
32-12
10-#16, 5-#12
A(C,D,E,F,G) BAL.=D



24-5
16-#16
A



24-7
14-#16, 2-#12
A



36-14
6-#16, 5-#8, 5-#12
D

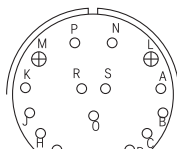
17 CONTACTS

19 CONTACTS

20 CONTACTS



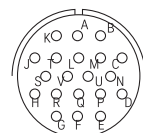
20-29
17-#16
A



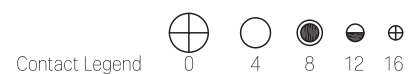
36-13
15-#16, 2-#12
E(N,P,O), BAL.=A



22-14
19-#16
A



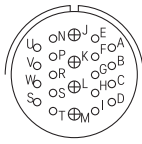
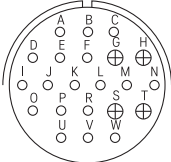
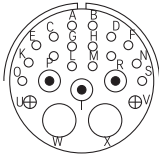
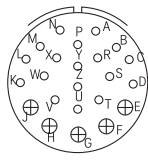
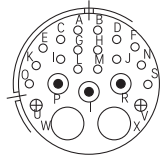
28-16
20-#16
A



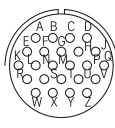
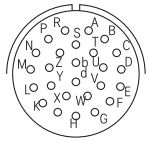
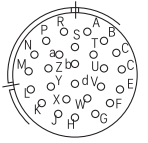
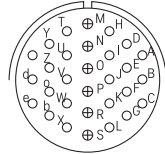
JW5015 series

MIL-C-5015 Connectors Contact Arrangements

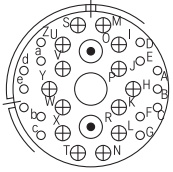
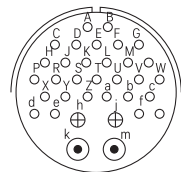
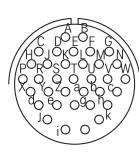
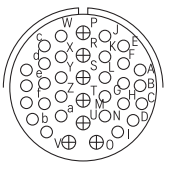
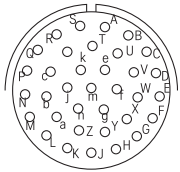
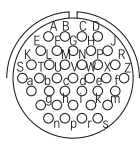
22 CONTACTS	23 CONTACTS
--------------------	--------------------

Shell Size & Insert Arrangement No. of Contact & Contact Size Service Rating	 28-11 18-#16, 4-#12 A	 36-1 18-#16, 4-#12 D	 32-6 16-#16, 3-#8, 2-#12, 2-#4 A	 32-13 18-#16, 5-#12 D	 100° Rotation of(32-6) 32-16 16-#16, 3-#8, 2-#12, 2-#4 D
--	--	---	---	--	--

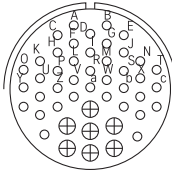
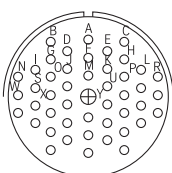
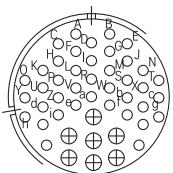
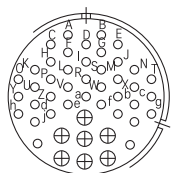
24 CONTACTS	26 CONTACTS	30 CONTACTS	31 CONTACTS
--------------------	--------------------	--------------------	--------------------

 24-28 24-#16 Inst	 28-12 26-#16 A	 100° Rotation of(28-12) 28-13 26-#16 A	 32-8 24-#16, 6-#12 A
--	---	--	--

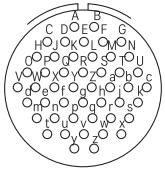
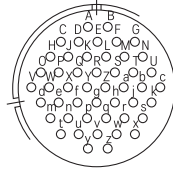
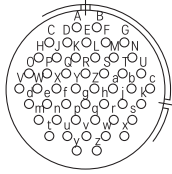
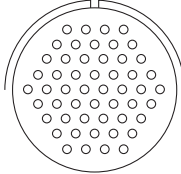
31 CONTACTS	34 CONTACTS	35 CONTACTS	37 CONTACTS
--------------------	--------------------	--------------------	--------------------

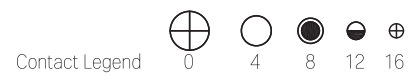
 100° Rotation of(36-9) 36-18 14-#16, 2-#8, 14-#12, 1-#4 A	 36-20 30-#16, 2-#12, 2-#8 A	 28-15 35-#16 A	 32-7 28-#16, 7-#12 a,b,h,j=Inst., BAL.=A	 36-15 35-#16 D(M), BAL.=A	 28-21 37-#16 A
---	--	---	--	--	---

47 CONTACTS

 36-7 40-#16, 7-#12 A	 36-8 46-#16, 1-#12 A	 100° Rotation of(36-7) 36-16 40-#16, 7-#12	 110° Rotation of(36-7) 36-17 40-#16, 7-#12
---	---	--	---

48 CONTACTS	52 CONTACTS
--------------------	--------------------

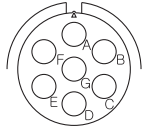
 36-10 48-#16 A	 100° Rotation of(36-10) 36-11 48-#16 A	 100° Rotation of(36-10) 36-12 48-#16 A	 36-52 52-#16 A
---	--	--	---



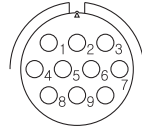
JW5015 series

MIL-C-5015 Connectors Contact Arrangements

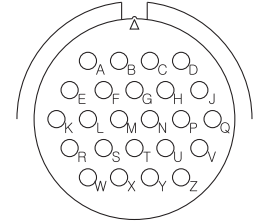
Special Arrangements



14SA7
7-#16

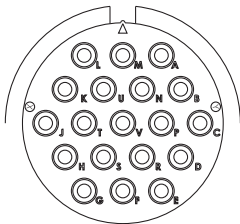


14SA10
10-#20

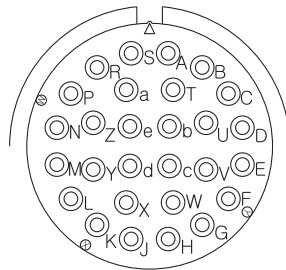


20A24
24-#20

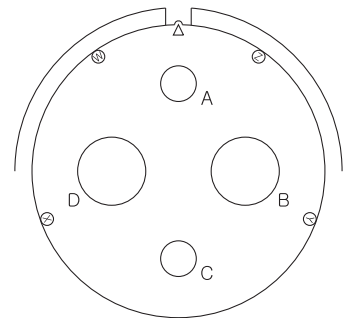
Shell Size & Insert
Arrangement
No. of Contact & Contact Size
Service Rating



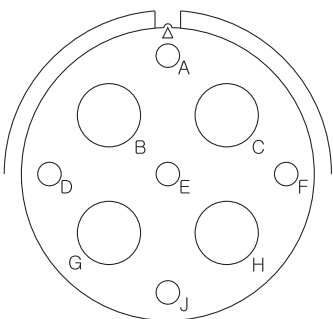
20A48
19-#16



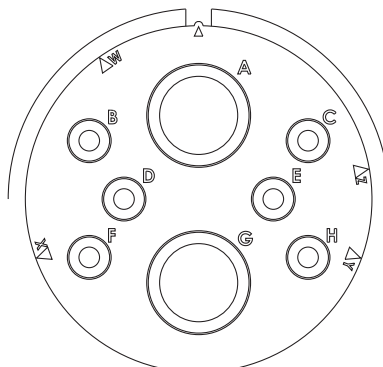
24A28
28-#16



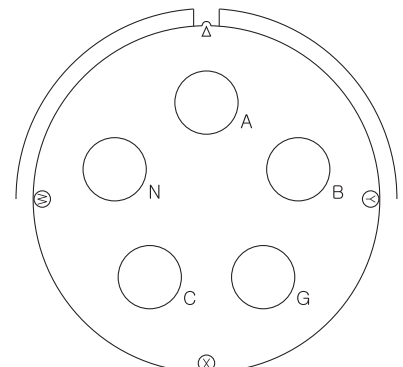
28A5
2-#16
2-#0



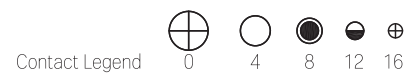
28A16
5-#16
4-#4

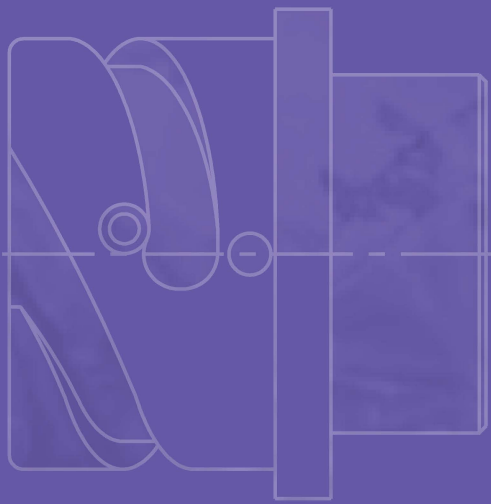


32-15
6-#12
2-#0



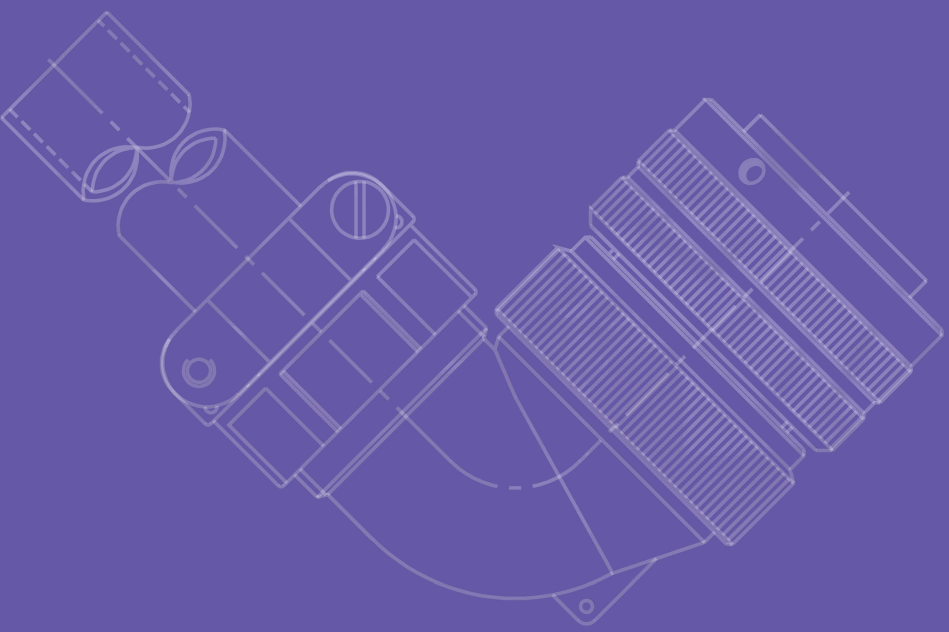
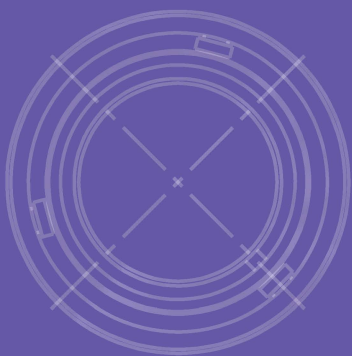
32A5
5-#4





JWB Connector

(VG95234 Style)

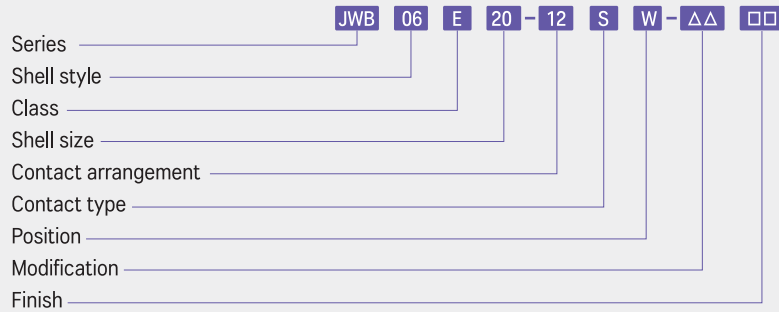


JWB / VG95234 series

VG95234 Style

주문정보 (Ordering Information)

JAEWON
Nomenclature



• Series

JWB Circular connectors with bayonet coupling

• Shell style

- 00 Wall mounting receptacle
- 01 Cable connecting plug
- 02A Box mounting receptacle(Front Mounting)
- 02B Box mounting receptacle(Rear Mounting)
- 05 Dummy receptacle for front and panel mounting
- 06 Plug, straight
- 08 Plug, 90° angle
- 07A Jam nut receptacle
- 07G Jam nut receptacle with RFI/EMI shielded coil within receptacle shell
- 070A Jam nut receptacle with threaded real for accessories
- 070G Jam nut receptacle with threaded real for accessories and RFI/EMI shielded coil whitin receptacle shell
- TB Thru-bulkhead receptacle(In case of TB, The class should be excluded from the construction of parts name)

• Class

- A Environmental with resilient insulators and insert with slamp and bushing
- E Environmental with resilient insulators and endbell with clamp and bushing

• Shell size

10SL, 14S, 16S, 16, 18, 20, 22, 24, 28, 32, 36

• Contact arrangement

Ssme as JW5015(MIL-DTL-5015)

• Contact type

- P - Pin contact
- S - Socket contact
- PS - One side pin, one side socket (only for TB)

• Position

Ssme as JW5015(MIL-DTL-5015)

• Modification

- 02 Adapter for shrink boots, AWG crimp contacts
- 05 rear mounting through holes in flange (JWB00, 02B, TB)
- 08 90° angle shell, threaded holes in flange (JWB00)
- 09 90° angle, 4 through holes (JWB00)
- 15 Endbell for shielded cables and heat shrink boots, AWG crimp contacts
- F80 AWG crimp contacts

• Finish

- Blank Electro-deposition coating, olive drab (RoHS) (standard) / 전착국방
- D Electro-deposition coating, black (RoHS) / 전착흑색
- W Cadmium chromate over zinc plating / 카드뮴
- G Olive drab over zinc plating / 아연국방
- B Black over zinc plating / 아연흑색
- R Electroless nickel plating/무전해니켈
- N Nickel plating/니켈
- Z Black trivalent chromate over zinc plating (RoHS) / 아노다이징

JWB / VG95234 series

VG95234 Style

기술적 정보 (Technical Data)

표준 재질 및 보호피막
(Standard Materials
and Finishes)

Portion	Materials	Finishes
몸체 (Shell)	Aluminum alloy	국방 전착도장(Cobalt Electro Deposition Coating)
절연체 (Insulator)	Polychloroprene (resilient)	-
접점 (Contacts)	Brass or Copper alloy	Silver plate

전기적 특성
(Electrical Data)

절연저항 (Insulation Resistance)	5,000MΩ Min. (at 25°C)
사용온도범위 (Operating Temperature Range)	-55°C ~ +125°C
내구성 (Durability)	500 cycle, mate and unmate
방수등급 (Waterproof Grade)	IP67

접점배열 서비스 등급 (Contact Arrangements Service Rating)

Service Rating	Dielectric Withstanding Voltage			Contact Engaging & Separating Force			
	Test Voltage AC(rms)	Operating Voltage		Contact Size	Force in Lbs		
	AC (rms)	AC (rms)	DC		Maximum	Average	Minimum
inst.	1,000	200	250	16	3.00	2.06	0.13
A	2,000	500	700	12	5.00	3.50	0.19
D	2,800	900	1,250	8	10.00	-	0.31
E	3,500	1,250	1,750	4	15.00	-	0.63
B	4,500	1,750	2,450	0	20.00	-	0.94
C	7,000	3,000	4,200				

Altitude Voltage Derating Chart

Service Rating	Nominal Distance		Standard Sea Level Conditions		Pressure Altitude 70,000 ft	
	Airspace	Creepage	Minimum Flashover Voltage AC(rms)	Test Voltage AC(rms)	Minimum Flashover Voltage AC(rms)	Test Voltage AC(rms)
inst.	1/32	1/16	1400	1,000	325	260
A	1/16	1/8	2800	2,000	450	360
D	1/8	3/16	3600	2,800	500	400
E	3/16	1/4	4500	3,500	550	440
B	1/4	5/16	5700	4,500	600	480
C	5/16	1	8500	7,000	700	560

Contact Size	Pin Contact Dia.	Solder Pot Dia.	Current(A) Rating (Mated With Insulators)	Contact Resistance		Wire Range Accommodations		
				Test Current (A)	Potential Drop Max(mV)	Wire Size (AWG)	Wire Normal Square Size(mm)	Dielectric Material Outer Dia.
16	1.6	2.0	13A	20A	21	16~22	≤1.3	1.7~3.3
12	2.4	3.0	23A	35A	20	12~14	≤3.5	2.9~4.3
8	3.6	5.2	46A	60A	12	8~10	≤8.0	4.2~6.4
4	5.7	8.5	80A	110A	10	6~4	≤22.0	7.0~9.4
0	9.1	12.0	150A	200A	10	0~2	≤50.0	10.6~14.0

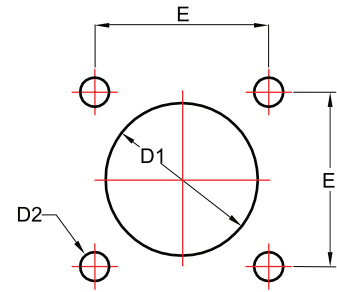
JWB / VG95234 series

VG95234 Style

Mounting Dimensions

Mounting holes

Mounting holes for wall mounting receptacles style A, B1, B2, C1, C2, J1, J2, N1, N2, U1 and U2 according to VG95234 or JWB00E and JWB02B



Shell size	Style	ØD1		ØD2		Screws to be used		E ±0.15
	JWB	JWB02A	JWB02B JWB00E JWB00E/-02 JWB00E/-05-02 JWB TB JWB05	JWB00E/-05 JWB00E/-05-02 JWB02A JWB02E/-05 JWB TB/-05	JWB02B JWB00E JWB00E/-02 JWB00E/-15 JWB TB	JWB00E/-05-02 JWB00E/-05 JWB02A JWB02B/-05 JWB TB/-05	JWB00E JWB00E/-02 JWB00E/-15 JWB02B JWB TB	
	VG 95234	A	B1, B2, C1, C2 J1, J2, N1, N2 U1, U2	A, B2, C2 J2, N2, U2	B1, C1, J1, N1, U1	A, B2, C2 J2, N2, U2	B1, C1, J1, N1, U1	
10SL		16.7	18.7	3.4	4.5	M3	M4	18.2
14S		19.7	25.1	"	"	"	"	23.0
16S		22.9	27.9	"	"	"	"	24.6
16		22.9	27.9	"	"	"	"	24.6
18		26.1	31.3	"	"	"	"	27.0
20		29.5	34.7	"	"	"	"	29.4
22		32.7	37.9	"	"	"	"	31.8
24		35.8	41.4	3.9	"	M3.5	"	34.9
28		41.9	47.2	"	5.5	"	M5	39.7
32		48.3	53.9	4.5	"	M4	"	44.5
36		54.6	60.1	"	"	"	"	49.2

A table of Contact Wire

Contact size AWG	Metric [mm]	øConductor [mm]
20	0.75 - 1.0	1.00 - 1.40
16	1.0 - 1.5	1.25 - 1.70
12	2.5	1.95 - 2.40
8	10.0	4.30 - 4.80
4	16.0	5.20 - 6.00
2	35.0	7.80 - 8.70
0	50.0	9.60 - 10.70

JWB / VG95234 series

VG95234 Style

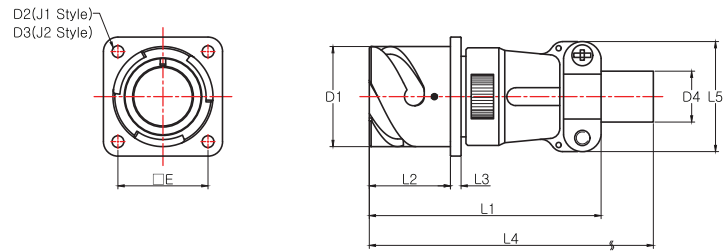
JWB00E / -F80

VG95234 Style J1

JWB00E / -05-F80

VG95234 Style J2

Wall mounting receptacle
with cable clamp and
telescoping bushing



Shell size	ØD1 -0.15	D2 only J1	ØD3 only J2	ØD4	E ±0.1	L1 max	L2 ±0.4	L3 ±0.2	L4 max	L5 max
10SL	18.20	M4	3.2	5.6	18.2	60	18.2	2.8	120	22.7
14S	24.60	M4	3.2	8.0	23.0	62	18.2	3.2	120	27.5
16S	27.40	M4	3.2	11.1	24.6	70	18.2	3.2	120	30.0
16	27.40	M4	3.2	11.1	24.6	70	23.1	3.2	125	30.0
18	30.80	M4	3.2	14.3	27.0	77	23.1	4.0	125	33.0
20	34.20	M4	3.2	15.9	29.4	77	23.1	4.0	125	37.5
22	37.40	M4	3.2	15.9	31.8	77	23.1	4.0	125	37.5
24	40.90	M4	3.7	19.1	34.9	85	23.1	4.0	125	43.3
28	46.70	M5	3.7	19.1	39.7	85	24.1	4.0	125	43.3
32	53.40	M5	4.3	23.8	44.5	85	24.1	4.0	125	51.7
36	59.60	M5	4.3	31.8	49.2	105	24.1	4.0	135	58.0

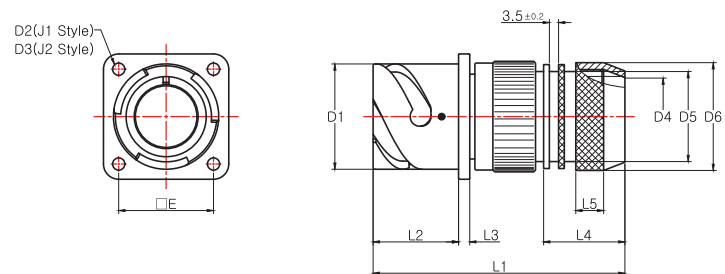
JWB00E / -15

VG95234 Style N1

JWB00E / -05-15

VG95234 Style N2

shielded receptacle with endbell
for shielded braids, and also for
heat shrinkable boots



Shell size	ØD1 -0.15	D2 only N1	ØD3 only N2	ØD4 max	ØD5 max	ØD6 +0.5	E ±0.1	L1 max	L2 ±0.4	L3 ±0.2	L4 ±1.0	L5 ±0.5
10SL	18.20	M4	3.2	8.6	16.3	18.5	18.2	55	18.2	2.8	17.0	7.0
14S	24.60	M4	3.2	10.6	20.0	22.0	23.0	55	18.2	3.2	17.0	7.0
16S	27.40	M4	3.2	13.5	23.0	25.0	24.6	70	18.2	3.2	18.0	8.0
16	27.40	M4	3.2	13.5	23.0	25.0	24.6	70	23.1	3.2	18.0	8.0
18	30.80	M4	3.2	14.6	24.5	28.0	27.0	70	23.1	4.0	18.0	8.0
20	34.20	M4	3.2	18.5	28.5	32.0	29.4	70	23.1	4.0	18.0	10.0
22	37.40	M4	3.2	20.8	30.5	34.0	31.8	70	23.1	4.0	18.0	10.0
24	40.90	M4	3.7	24.6	34.5	38.0	34.9	70	23.1	4.0	18.0	10.0
28	46.70	M5	3.7	27.0	37.5	41.0	39.7	70	24.1	4.0	18.0	10.0
32	53.40	M5	4.3	33.3	44.0	48.0	44.5	75	24.1	4.0	18.0	10.0
36	59.60	M5	4.3	38.5	51.0	55.0	49.2	85	24.1	4.0	18.0	10.0

JWB / VG95234 series

VG95234 Style

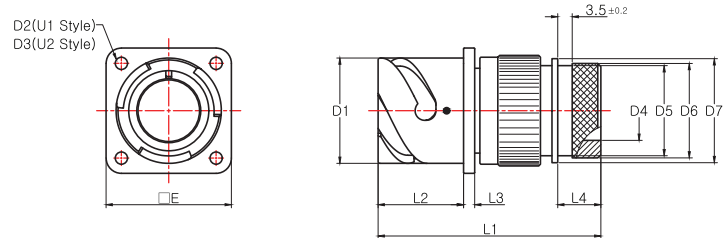
JWB00E/ - 02

VG95234 Style U1

JWB00E/ - 05-02

VG95234 Style U2

Wall mounting receptacle with adapter for heat shrinkable boots

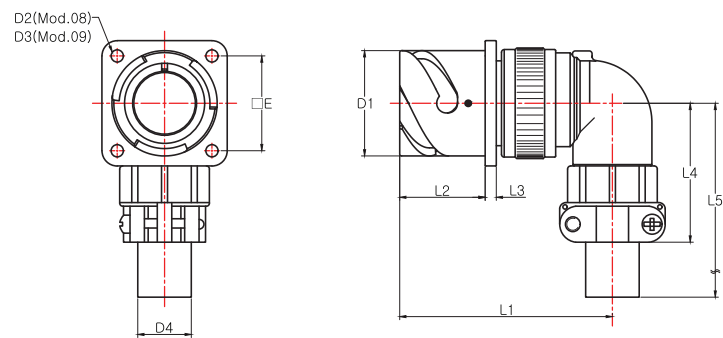


Shell size	ØD1 -0.15	D2 only U1	ØD3 only U2	ØD4 min	ØD5 max	ØD6 ±0.2	ØD7 ±0.2	E ±0.1	L1 max	L2 ±0.4	L3 ±0.2	L4 ±0.5
10SL	18.20	M4	3.2	7.7	13.3	15.5	17.0	18.2	57	18.2	2.8	11.7
14S	24.60	M4	3.2	10.6	17.0	19.1	20.1	23.0	57	18.2	3.2	11.7
16S	27.40	M4	3.2	13.5	21.9	23.9	23.5	24.6	57	18.2	3.2	11.7
16	27.40	M4	3.2	13.5	21.9	23.9	23.5	24.6	63	23.1	3.2	11.7
18	30.80	M4	3.2	14.6	21.9	23.9	26.5	27.0	65	23.1	4.0	11.7
20	34.20	M4	3.2	18.7	26.2	29.6	30.2	29.4	68	23.1	4.0	12.7
22	37.40	M4	3.2	20.8	26.2	29.6	33.6	31.8	68	23.1	4.0	12.7
24	40.90	M4	3.7	24.6	34.5	37.8	36.1	34.9	70	23.1	4.0	12.7
28	46.70	M5	3.7	27.0	34.5	37.8	41.4	39.7	71	24.1	4.0	12.7
32	53.40	M5	4.3	33.3	43.6	47.8	48.6	44.5	74	24.1	4.0	15.2
36	59.60	M5	4.3	38.5	43.6	47.8	54.8	49.2	74	24.1	4.0	15.2

JWB00E / - 08-F80

JWB00E / - 09-F80

Wall mounting receptacle 90° angle type with cable clamp and bushing



Shell size	ØD1 -0.15	D2 only 08	ØD3 only 09	ØD4 max	E ±0.1	L1 max	L2 ±0.4	L3 ±0.2	L4 max	L5 max
10SL	18.20	M4	3.2	5.6	18.2	50	18.2	2.8	42	100
14S	24.60	M4	3.2	8.0	23.0	52	18.2	3.2	42	100
16S	27.40	M4	3.2	11.1	24.6	53	18.2	3.2	45	100
16	27.40	M4	3.2	11.1	24.6	60	23.1	3.2	45	100
18	30.80	M4	3.2	14.3	27.0	62	23.1	4.0	53	100
20	34.20	M4	3.2	15.9	29.4	66	23.1	4.0	53	100
22	37.40	M4	3.2	15.9	31.8	66	23.1	4.0	53	100
24	40.90	M4	3.7	19.1	34.9	69	23.1	4.0	58	100
28	46.70	M5	3.7	19.1	39.7	70	24.1	4.0	58	100
32	53.40	M5	4.3	23.8	44.5	74	24.1	4.0	66	110
36	59.60	M5	4.3	31.8	49.2	78	24.1	4.0	69	110

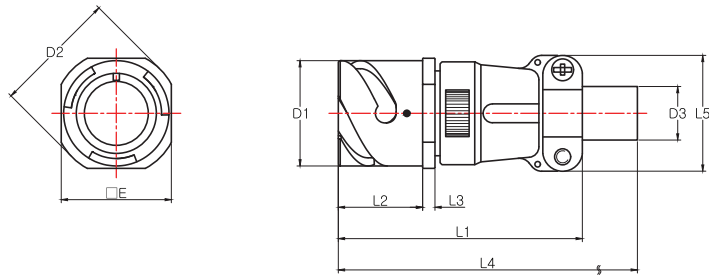
JWB / VG95234 series

VG95234 Style

JWB01E/ - F80

VG95234 Style F

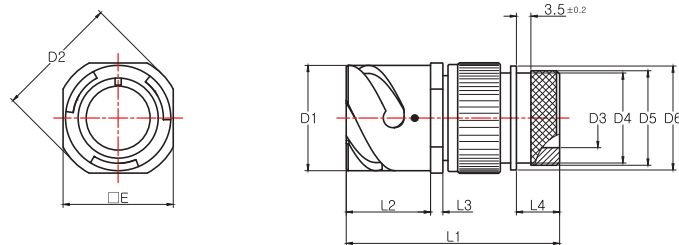
Cable connection plug with cable clamp and telescoping bushing



Shell size	ØD1 -0.15	ØD2 max	ØD3 max	E ±0.2	L1 max	L2 +0.4	L3 ±0.2	L4 max	L5 max
10SL	18.20	25.2			60	18.2	2.8	120	22.7
14S	24.60	29.8			62	18.2	3.2	120	27.5
16S	27.40	32.3			70	18.2	3.2	120	30.0
16	27.40	32.3			70	21.5	3.2	125	30.0
18	30.80	34.8			77	23.1	4.0	125	33.0
20	34.20	37.8			77	23.1	4.0	125	37.5
22	37.40	41.1			77	23.1	4.0	125	37.5
24	40.90	44.6			85	23.1	4.0	125	43.3
28	46.70	50.9			85	24.1	4.0	125	43.3
32	53.40	57.1			85	24.1	4.0	125	51.7
36	59.60	63.6			105	24.1	4.0	135	58.0

JWB01E/ - 02

Cable connection plug with adapter for heat shrinkable boots



Shell size	ØD1 -0.15	D2 max	ØD3 min	ØD4 max	ØD5 ±0.2	ØD6 ±0.2	E ±0.2	L1 max	L2 +0.4	L3 ±0.2	L4 ±0.5
10SL	18.20	25.2	7.7	13.3	15.5	17.0	20.6	57	18.2	2.8	11.7
14S	24.60	29.8	10.6	17.0	19.1	20.1	25.4	57	18.2	3.2	11.7
16S	27.40	32.3	13.5	21.9	23.9	23.5	28.6	57	18.2	3.2	11.7
16	27.40	32.3	13.5	21.9	23.9	23.5	28.6	63	21.5	3.2	11.7
18	30.80	34.8	14.6	21.9	23.9	26.5	31.7	65	23.1	4.0	11.7
20	34.20	37.8	18.7	26.2	29.6	30.2	34.9	68	23.1	4.0	12.7
22	37.40	41.1	20.8	26.2	29.6	33.6	38.1	68	23.1	4.0	12.7
24	40.90	44.6	24.6	34.5	37.8	36.1	41.3	70	23.1	4.0	12.7
28	46.70	50.9	27.0	34.5	37.8	41.4	47.6	71	24.1	4.0	12.7
32	53.40	57.1	33.3	43.6	47.8	48.6	54.0	74	24.1	4.0	15.2
36	59.60	63.6	38.5	43.6	47.8	54.8	60.6	74	24.1	4.0	15.2

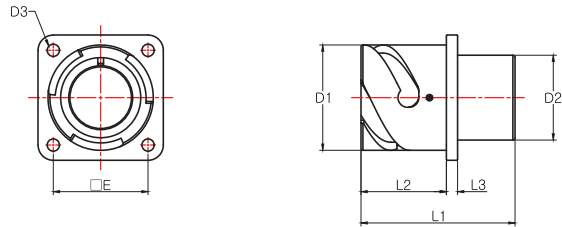
JWB / VG95234 series

VG95234 Style

JWB02A/ -F80

VG95234 Style A

Box mounting receptacle
for front panel mounting



Shell size	ØD1 -0.15	ØD2 max	ØD3 max	E ±0.2	L1 max	L2 +0.4	L3 ±0.2
10SL	18.20	16.2	3.2	18.2	24.7	14.2	2.8
14S	24.60	19.2	3.2	23.0	24.7	14.2	3.2
16S	27.40	22.4	3.2	24.6	24.7	14.2	3.2
16	27.40	22.4	3.2	24.6	33.8	19.0	3.2
18	30.80	25.6	3.2	27.0	33.8	19.0	4.0
20	34.20	29.0	3.2	29.4	33.8	19.0	4.0
22	37.40	32.2	3.2	31.8	33.8	19.0	4.0
24	40.90	35.3	3.7	34.9	33.8	20.6	4.0
28	46.70	41.4	3.7	39.7	33.8	20.6	4.0
32	53.40	47.8	4.3	44.5	33.8	22.2	4.0
36	59.60	54.1	4.3	49.2	33.8	22.2	4.0

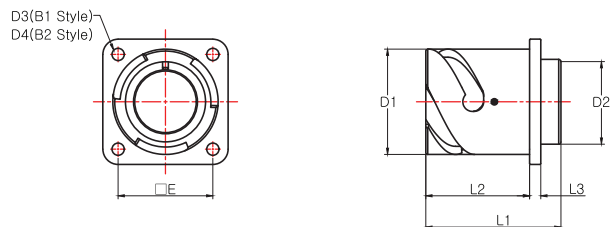
JWB02B/ -F80

VG95234 Style B1

JWB02B/ - 05-F80

VG95234 Style B2

Box mounting receptacle
for rear panel mounting



Shell size	ØD1 -0.15	ØD2 max	ØD3 max	Ø4 Only B2	E ±0.1	L1 ±0.3	L2 +0.4	L3 ±0.2
10SL	18.20	16.2	M4	3.2	18.2	24.7	18.2	2.8
14S	24.60	19.2	M4	3.2	23.0	24.7	18.2	3.2
16S	27.40	22.4	M4	3.2	24.6	24.7	18.2	3.2
16	27.40	22.4	M4	3.2	24.6	33.8	23.1	3.2
18	30.80	25.6	M4	3.2	27.0	33.8	23.1	4.0
20	34.20	29.0	M4	3.2	29.4	33.8	23.1	4.0
22	37.40	32.2	M4	3.2	31.8	33.8	23.1	4.0
24	40.90	35.3	M4	3.7	34.9	33.8	23.1	4.0
28	46.70	41.4	M5	3.7	39.7	33.8	24.1	4.0
32	53.40	47.8	M5	4.3	44.5	33.8	24.1	4.0
36	59.60	54.1	M5	4.3	49.2	33.8	24.1	4.0

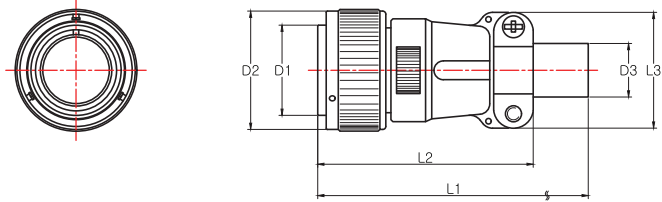
JWB / VG95234 series

VG95234 Style

JWB06E/ - F80

VG95234 Style D

Straight plug with endbell cable clamp and telescoping bushing

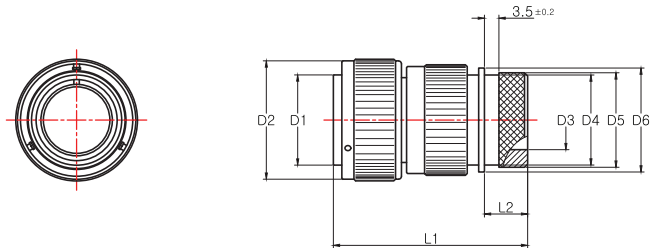


Shell size	ØD1 -0.15	ØD2 max	ØD3 max	L1 max	L2 max	L3 max
10SL	11.3	22.8	5.6	115	55	22.7
14S	17.1	29.2	8.0	115	60	27.5
16S	20.4	32.0	11.1	115	60	30.0
16	20.4	32.0	11.1	120	70	30.0
18	23.6	36.5	14.3	120	75	33.0
20	26.7	39.9	15.9	120	75	37.5
22	29.8	43.1	15.9	120	75	37.5
24	33.0	46.6	19.1	120	90	43.3
28	38.6	53.4	19.1	120	90	43.3
32	44.9	60.1	23.8	120	90	51.7
36	50.3	66.3	31.8	130	100	58.0

JWB06E/ - 02

VG95234 Style G

Straight plug with adapter for heat shrinkable boots



Shell size	ØD1 -0.3	D2 max	ØD3 min	ØD4 max	ØD5 ±0.2	ØD6 ±0.2	L1 max	L2 ±0.5
10SL	11.3	22.8	7.7	13.3	15.5	17.0	50.0	11.7
14S	17.1	29.2	10.6	17.0	19.1	20.1	50.0	11.7
16S	20.4	32.0	13.5	21.9	23.9	23.5	50.0	11.7
16	20.4	32.0	13.5	21.9	23.9	23.5	60.0	11.7
18	23.6	36.5	14.6	21.9	23.9	26.5	60.0	11.7
20	26.7	39.9	18.7	26.2	29.6	30.2	65.0	12.7
22	29.8	43.1	20.8	26.2	29.6	33.6	65.0	12.7
24	33.0	46.6	24.6	34.5	37.8	36.1	65.0	12.7
28	38.6	53.4	27.0	34.5	37.8	41.4	65.0	12.7
32	44.9	60.1	33.3	43.6	47.8	48.6	70.0	15.2
36	50.3	66.3	38.5	43.6	47.8	54.8	80.0	15.2

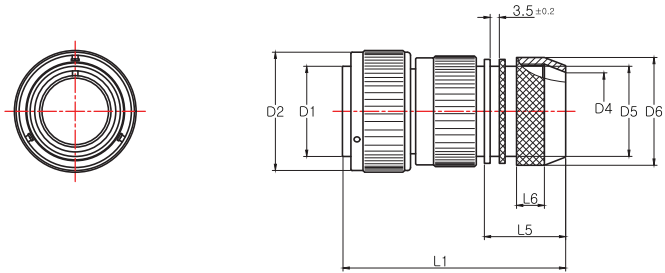
JWB / VG95234 series

VG95234 Style

JWB06E/ -15

VG95234 Style M

Straight shielded plug with endbell for shielded braids and heat shrinkable boots

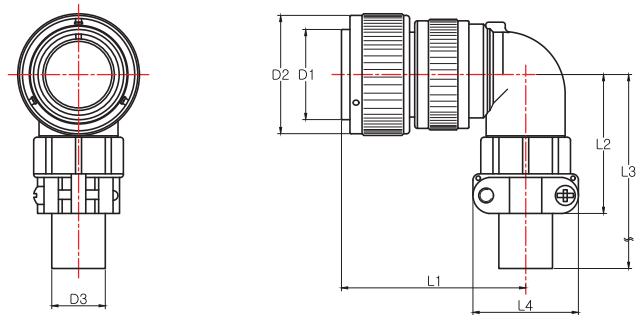


Shell size	ØD1 -0.3	D2 max	D4 min	D5 max	D6 +0.5	L1 max	L5 +1.0	L6 ±0.5
10SL	11.3	22.8	8.6	16.3	18.5	55	17.0	7.0
14S	17.1	29.2	10.6	20.0	22.0	55	17.0	7.0
16S	20.4	32.0	13.5	23.0	25.0	60	18.0	8.0
16	20.4	32.0	13.5	23.0	25.0	70	18.0	8.0
18	23.6	36.5	14.6	24.5	28.0	70	18.0	8.0
20	26.7	39.9	18.5	28.5	32.0	70	18.0	10.0
22	29.8	43.1	20.8	30.5	34.0	70	18.0	10.0
24	33.0	46.6	24.6	34.5	38.0	70	18.0	10.0
28	38.6	53.4	27.0	37.5	41.0	70	18.0	10.0
32	44.9	60.1	33.3	44.0	48.0	70	18.0	10.0
36	50.3	66.3	38.5	51.0	55.0	80	18.0	10.0

JWB08E/ - F80

VG95234 Style E

Plug 90° which is available with cable clamp and bushing



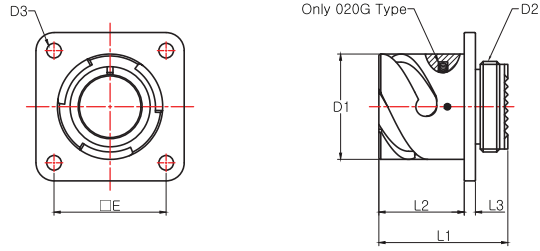
Shell size	ØD1 -0.3	ØD2 max	ØD3 max	L1 max	L2 max	L3 max	L4 max
10SL	11.3	22.8	5.6	45	42	100	22.7
14S	17.1	29.2	8.0	47	42	100	27.5
16S	20.4	32.0	11.1	48	45	100	30.0
16	20.4	32.0	11.1	57	45	100	30.0
18	23.6	36.5	14.3	58	53	100	33.0
20	26.7	39.9	15.9	61	53	100	37.5
22	29.8	43.1	15.9	61	53	100	37.5
24	33.0	46.6	19.1	66	58	100	43.3
28	38.6	53.4	19.1	66	58	100	43.3
32	44.9	60.1	23.8	72	66	110	51.7
36	50.3	66.3	31.8	75	69	110	58.0

JWB / VG95234 series

VG95234 Style

JWB020A

Wall mounting receptacle for front panel single hole mounting threaded rear for accessories



JWB020G

Same as JWB020A except : RFI/EMI shielded coil within receptacle shell threaded rear for accessories

Shell size	ØD1 -0.15	D2 THA-2A	ØD3	E ±0.1	L1 ±0.3	L2 +0.4	L3 ±0.2
10SL	18.20	9/16-24UNEF	3.2	18.2	24.7	14.2	2.8
14S	24.60	3/4-20UNEF	3.2	23.0	24.7	14.2	3.2
16S	27.40	7/8-20UNEF	3.2	24.6	24.7	14.2	3.2
16	27.40	7/8-20UNEF	3.2	24.6	33.8	19.0	3.2
18	30.80	1 -20UNEF	3.2	27.0	33.8	19.0	4.0
20	34.20	1 1/8-18UNEF	3.2	29.4	33.8	19.0	4.0
22	37.40	1 1/4-18UNEF	3.2	31.8	33.8	19.0	4.0
24	40.90	1 3/8-18UNEF	3.7	34.9	33.8	20.6	4.0
28	46.70	1 5/8-18UNEF	3.7	39.7	33.8	20.6	4.0
32	53.40	1 7/8-16UN	4.3	44.5	33.8	22.2	4.0
36	59.60	2 1/8-16UN	4.3	49.2	33.8	22.2	4.0

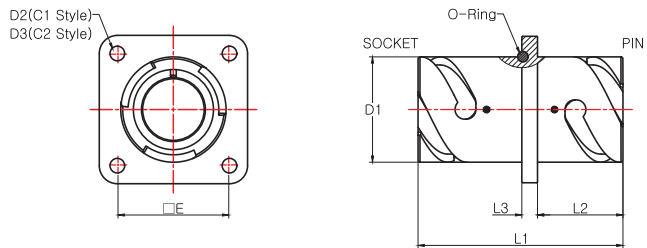
JWB TB

VG95234 Style C1

JWB TB / -05

VG95234 Style C2

Thru-bulkhead receptacle



Shell size	ØD1 -0.15	ØD2 Only C1	ØD3 Only C2	E ±0.1	L1 ±0.7	L2 +0.4	L3 ±0.2
10SL	18.20	M4	3.2	18.2	37.5	14.2	2.8
14S	24.60	M4	3.2	23.0	37.5	14.2	3.2
16S	27.40	M4	3.2	24.6	37.5	14.2	3.2
16	27.40	M4	3.2	24.6	51.4	19.0	3.2
18	30.80	M4	3.2	27.0	51.4	19.0	4.0
20	34.20	M4	3.2	29.4	51.4	19.0	4.0
22	37.40	M4	3.2	31.8	51.4	19.0	4.0
24	40.90	M4	3.7	34.9	51.4	20.6	4.0
28	46.70	M5	3.7	39.7	51.4	20.6	4.0
32	53.40	M5	4.3	44.5	51.4	22.2	4.0
36	59.60	M5	4.3	49.2	51.4	22.2	4.0

JWB / VG95234 series

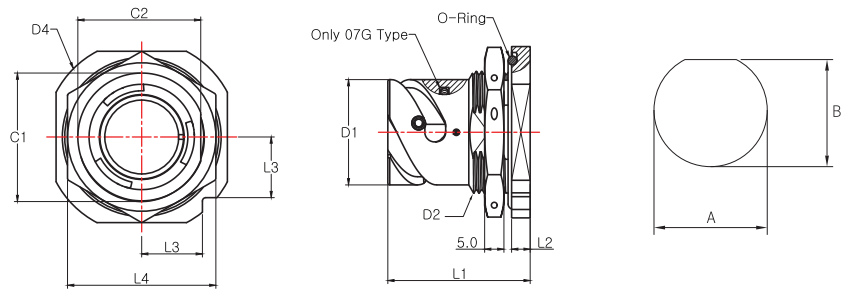
VG95234 Style

JWB07A

Jam nut receptacle for rear panel single hole mounting panel seal o-ring included

JWB07G

Same as JWB07A except : RFI/EMI shielded coil within receptacle shell



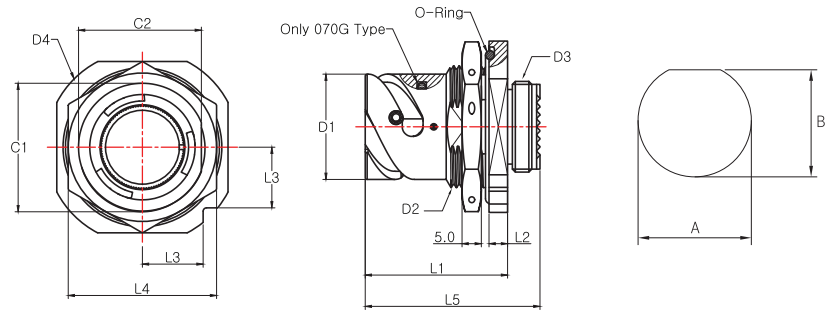
Shell size	ØD1 -0.15	D2 THA-2A	ØD4 max	L1 max	L2 ±0.1	L3 ±0.1	L4 ±0.4	C1 +0.1	C2 +0.1	Size	ØA +0.13 -0.00	B +0.25 -0.13
10SL	18.2	7/8-20UNEF	37.4	28.5	4.0	11.2	27.0	22.4	20.7	8	14.68	13.72
14S	24.6	1 1/8-18UNEF	50.0	31.6	4.8	14.6	33.0	28.8	27.1	10	17.68	16.89
16S	27.4	1 1/4-18UNEF	51.2	31.6	4.8	15.7	38.1	32.0	30.1	12	22.61	21.03
16	27.4	1 1/4-18UNEF	51.2	36.9	4.8	15.7	38.1	32.0	30.1	14	25.78	24.18
18	30.8	1 3/8-18UNEF	53.7	36.9	4.8	16.8	39.7	35.1	33.4	16	28.96	27.33
20	34.2	1 1/2-18UNEF	57.6	38.5	4.8	18.0	44.0	38.3	36.7	18	32.13	30.51
22	37.4	1 5/8-18UNEF	63.2	38.5	4.8	20.2	46.0	41.5	39.9	20	35.31	33.68
24	40.9	1 3/4-18UNS	63.2	38.5	4.8	20.2	50.8	44.7	43.2	22	38.48	36.86
28	46.7	2 -18UNS	73.3	40.8	5.6	22.5	55.0	51.0	49.3			
32	53.4	2 1/4-16UN	79.3	40.8	5.6	24.7	62.0	57.4	55.8			
36	59.6	2 1/2-16UN	86.0	40.8	5.6	26.9	71.0	63.7	62.0			

JWB070A

Jam nut receptacle for rear panel single hole mounting threaded rear for accessories

JWB070G

Same as JWB070A except :
RFI/EMI shielded coil within receptacle shell threaded rear for accessories



Shell size	ØD1 -0.15	D2 THA-2A	D3 THA-2A	ØD4 max	L1 max	L2 ±0.1	L3 ±0.1	L4 ±0.4	L5 max	C1 +0.1	C2 +0.1	Shell size	ØA +0.13 -0.00	B +0.25 -0.13
10SL	18.2	7/8-20UNEF	9/16-24UNEF	37.4	28.5	4.0	11.2	27.0	37.9	22.4	20.7	8	14.68	13.72
14S	24.6	1 1/8-18UNEF	3/4-20UNEF	50.0	31.6	4.8	14.6	33.0	41.0	28.8	27.1	10	17.68	16.89
16S	27.4	1 1/4-18UNEF	7/8-20UNEF	51.2	31.6	4.8	15.7	38.1	41.0	32.0	30.1	12	22.61	21.03
16	27.4	1 1/4-18UNEF	7/8-20UNEF	51.2	36.9	4.8	15.7	38.1	47.5	32.0	30.1	14	25.78	24.18
18	30.8	1 3/8-18UNEF	1 -20UNEF	53.7	38.5	4.8	16.8	39.7	49.1	35.1	33.4	16	28.96	27.33
20	34.2	1 1/2-18UNEF	1 1/8-18UNEF	57.6	38.5	4.8	18.0	44.0	49.1	38.3	36.7	18	32.13	30.51
22	37.4	1 5/8-18UNEF	1 1/4-18UNEF	63.2	38.5	4.8	20.2	46.0	49.1	41.5	39.9	20	35.31	33.68
24	40.9	1 3/4-18UNS	1 3/8-18UNEF	63.2	38.5	4.8	20.2	50.8	50.7	44.7	43.2	22	38.48	36.86
28	46.7	2 -18UNS	1 5/8-18UNEF	73.3	40.8	5.6	22.5	55.0	52.0	51.0	49.3			
32	53.4	2 1/4-16UN	1 7/8-16UN	79.3	40.8	5.6	24.7	62.0	53.6	57.4	55.8			
36	59.6	2 1/2-16UN	2 1/8-16UN	86.0	40.8	5.6	26.9	71.0	53.6	63.7	62.0			

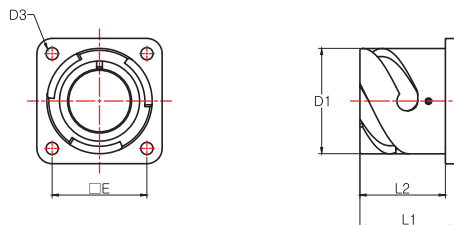
JWB / VG95234 series

VG95234 Style

JWB 05

VG95234 Style BOD

Front panel mounting
flange with through holes



JWB Order No.	Shell size	ØD1 -0.15	ØD3	E ±0.1	L1 max	L2 +0.4
JWB 05-10	10SL	18.20	3.2	18.2	17.5	14.2
JWB 05-14	14s	24.60	3.2	23.0	18.0	14.2
JWB 05-16	16s	27.40	3.2	24.6	18.0	14.2
JWB 05-17	16	27.40	3.2	24.6	23.5	19.0
JWB 05-18	18	30.80	3.2	27.0	23.5	19.0
JWB 05-20	20	34.20	3.2	29.4	23.5	19.0
JWB 05-22	22	37.40	3.2	31.8	23.5	19.0
JWB 05-24	24	40.90	3.7	34.9	25.5	20.6
JWB 05-28	28	46.70	3.7	39.7	25.5	20.6
JWB 05-32	32	53.40	4.3	44.5	27.0	22.2
JWB 05-36	36	59.60	4.3	49.2	27.0	22.2

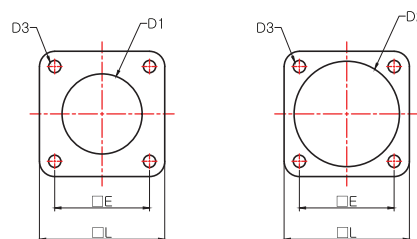
Gasket

JDA is used Front panel mounting, and JDH is used Rear panel mounting

Materials of gaskets

- Non-conductive: Made of Polychloroprene
- EMI shielded conductive: Made of SCC (EMI shielded conductive silicone)

Thickness of gaskets: $t = 1.5\text{mm} \pm 0.3$



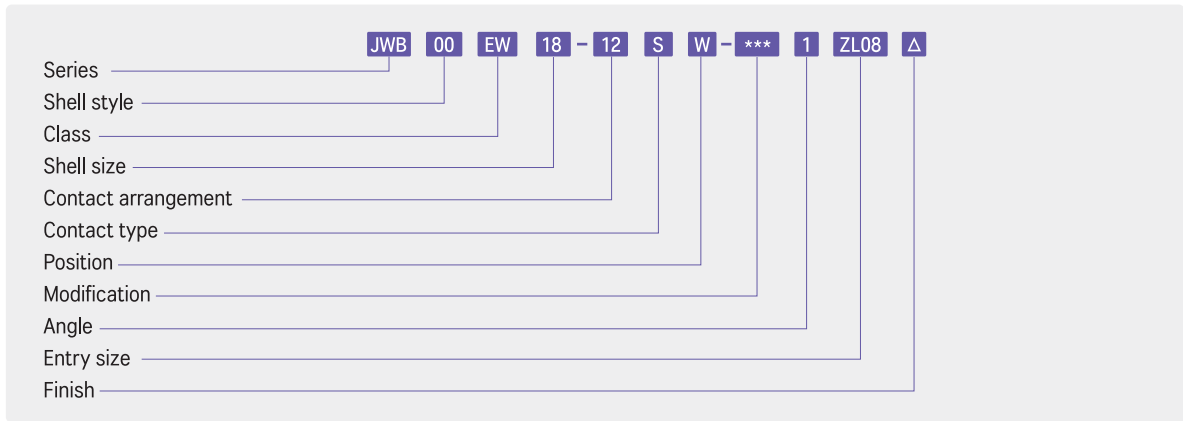
Shell size	JWB Order No.				ØD1 max	ØD2 max	ØD3 max	E max	L max
	Front panel(JDA)		Rear panel(JDH)						
	Non-Conduct.	Conduct.	Non-Conduct.	Conduct.					
10SL	JDA-10	JDA-10E	JDH-10	JDH-10E	15.7	18.2	4.2	18.2	25.4
14S	JDA-14	JDA-14E	JDH-14	JDH-14E	22.1	24.6	4.2	23.0	30.0
16S & 16	JDA-16	JDA-16E	JDH-16	JDH-16E	25.3	27.4	4.2	24.6	32.5
18	JDA-18	JDA-18E	JDH-18	JDH-18E	28.4	30.8	4.2	27.0	35.0
20	JDA-20	JDA-20E	JDH-20	JDH-20E	31.6	34.2	4.2	29.4	38.0
22	JDA-22	JDA-22E	JDH-22	JDH-22E	34.8	37.4	4.2	31.8	41.0
24	JDA-24	JDA-24E	JDH-24	JDH-24E	38.0	40.9	4.2	34.9	44.5
28	JDA-28	JDA-28E	JDH-28	JDH-28E	44.3	46.7	5.1	39.7	50.8
32	JDA-32	JDA-32E	JDH-32	JDH-32E	50.7	53.4	5.1	44.5	57.0
36	JDA-36	JDA-36E	JDH-36	JDH-36E	57.0	59.6	5.1	49.2	63.5

JWB Series(Adapter type)

VG95234 Style

주문정보 (Ordering Information)

JAEWON
Nomenclature



• Series

JWB Circular connectors with bayonet coupling

• Shell style

- 00 Wall mounting receptacle
- 01 Cable connecting plug
- 06 Plug, straight
- 070A Jam nut receptacle
- 070G Jam nut receptacle with RFI/EMI shielded coil within receptacle shell

• Class

- 00EP - TLXX
- 00EP - DLXX
- 01EW/ 06EW-TLxx
- 01EW/ 06EW-DLXX
- 00EP - ZLXX
- With Tinel-Lock Adapter
- With Tinel-Lock Adapter for Double braid With Tinel-Lock Adapter
- With Tinel-Lock Adapter for Double braid With Zeta-Lock Adapter
- 01EW / 06EW - ZLXX With Zeta-Lock Adapter

• Shell size

10SL, 12S, 12, 14S, 14, 16S, 16, 18, 20, 22, 24, 28, 32, 36

• Contact arrangement

Same as JW5015(MIL-DTL-5015)

• Contact type

- P - Pin contact
- S - Socket contact

• Modification

F80 AWG crimp contacts

• Position

Same as JW5015(MIL-DTL-5015)

• Angle

1-0° 2-45° 3-90°

• Entry size

see page

• Finish

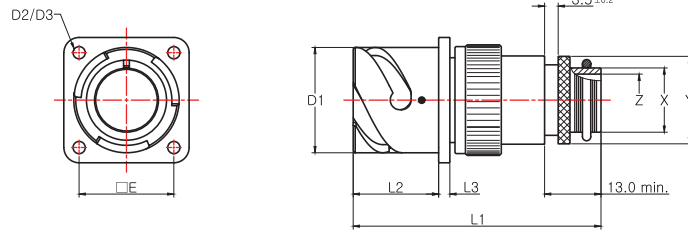
- Blank Electro-deposition coating, olive drab (RoHS)
(standard) / 전착국방
- D Electro-deposition coating, black (RoHS) / 전착흑색
- W Cadmium chromate over zinc plating / 카드뮴
- G Olive drab over zinc plating / 아연국방
- B Black over zinc plating / 아연흑색
- R Electroless nickel plating/무전해니켈
- N Nickel plating/니켈
- Z Black trivalent chromate over zinc plating
(RoHS) / 아노다이징

JWB Series(Adapter type)

VG95234 Style

JWB00EP - TLXX / DLxx

Wall mounting receptacle
shielded with Tinel-Lock adapter

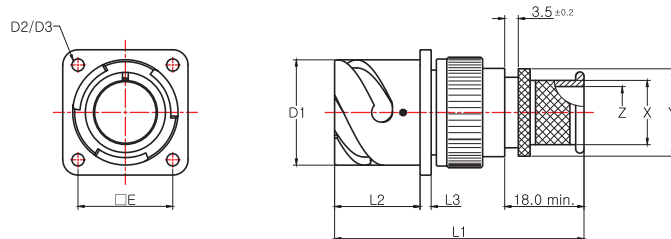


JWB Order No.	Shell size	ØD1 -0.15	ØD2	ØD3 Mod.05	E ±0.1	L1 max	L2 +0.4	L3 ±0.2	Entry max
JWB00EP 10SL-xx-xx-x-TLxx	10SL	18.20	M4	3.2	18.2	55	18.2	2.8	06
JWB00EP 14S -xx-xx-x-TLxx	14S	24.60	M4	3.2	23.0	60	18.2	3.2	08
JWB00EP 16S -xx-xx-x-TLxx	16S	27.40	M4	3.2	24.6	75	18.2	3.2	10
JWB00EP 16 -xx-xx-x-TLxx	16	27.40	M4	3.2	24.6	75	23.1	3.2	10
JWB00EP 18 -xx-xx-x-TLxx	18	30.80	M4	3.2	27.0	80	23.1	4.0	12
JWB00EP 20 -xx-xx-x-TLxx	20	34.20	M4	3.2	29.4	80	23.1	4.0	12
JWB00EP 22 -xx-xx-x-TLxx	22	37.40	M4	3.2	31.8	85	23.1	4.0	14
JWB00EP 24 -xx-xx-x-TLxx	24	40.90	M4	3.7	34.9	85	23.1	4.0	16
JWB00EP 28 -xx-xx-x-TLxx	28	46.70	M5	3.7	39.7	85	24.1	4.0	20
JWB00EP 32 -xx-xx-x-TLxx	32	53.40	M5	4.3	44.5	90	24.1	4.0	22
JWB00EP 36 -xx-xx-x-TLxx	36	59.60	M5	4.3	49.2	90	24.1	4.0	24

※ Note: TL adapters is compatible with DL adapters. / TL = Tinel-Lock Ring for Single braid (AI), DL = Tinel-Lock Ring for Double braid(BI)

JWB00EP - ZLXX

Wall mounting receptacle
shielded with Zeta-Lock adapter



JWB Order No.	Shell size	ØD1 -0.15	ØD2	ØD3 Mod.05	E ±0.1	L1 max	L2 +0.4	L3 ±0.2	Entry max
JWB00EP 10SL-xx-xx-x-ZLxx	10SL	18.20	M4	3.2	18.2	60	18.2	2.8	05
JWB00EP 14S -xx-xx-x-ZLxx	14S	24.60	M4	3.2	23.0	65	18.2	3.2	07
JWB00EP 16S -xx-xx-x-ZLxx	16S	27.40	M4	3.2	24.6	75	18.2	3.2	08
JWB00EP 16 -xx-xx-x-ZLxx	16	27.40	M4	3.2	24.6	80	23.1	3.2	08
JWB00EP 18 -xx-xx-x-ZLxx	18	30.80	M4	3.2	27.0	85	23.1	4.0	10
JWB00EP 20 -xx-xx-x-ZLxx	20	34.20	M4	3.2	29.4	85	23.1	4.0	12
JWB00EP 22 -xx-xx-x-ZLxx	22	37.40	M4	3.2	31.8	90	23.1	4.0	14
JWB00EP 24 -xx-xx-x-ZLxx	24	40.90	M4	3.7	34.9	90	23.1	4.0	16
JWB00EP 28 -xx-xx-x-ZLxx	28	46.70	M5	3.7	39.7	90	24.1	4.0	18
JWB00EP 32 -xx-xx-x-ZLxx	32	53.40	M5	4.3	44.5	95	24.1	4.0	22
JWB00EP 36 -xx-xx-x-ZLxx	36	59.60	M5	4.3	49.2	95	24.1	4.0	24

※ Refer to TLxx / DLxx-table I and ZLxx-table II, III page no 37 for entry dimension.

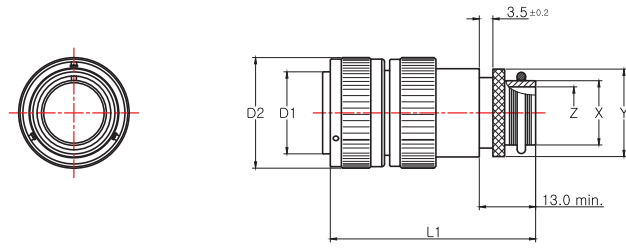
※ If you have any question on adapter angle 45° or 90°, Please ask to our JAEWON company.

JWB Series(Adapter type)

VG95234 Style

JWB06EW - TLxx / DLxx

Straight plug shielded with
Tinel-Lock adapter

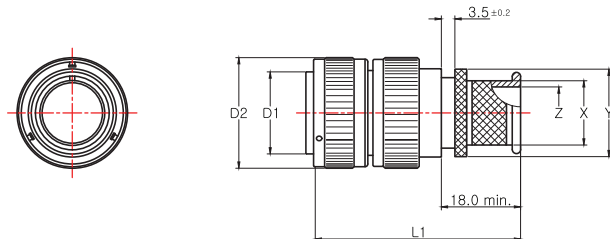


JWB Order No.	Shell size	ØD1 -0.3	ØD2 max	L1 max	Entry max
JWB06EW 10SL-xx-xx-x-TLxx	10SL	11.3	22.8	55	05
JWB06EW 14S -xx-xx-x-TLxx	14S	17.1	29.2	60	07
JWB06EW 16S -xx-xx-x-TLxx	16S	20.4	32.0	70	08
JWB06EW 16 -xx-xx-x-TLxx	16	20.4	32.0	70	08
JWB06EW 18 -xx-xx-x-TLxx	18	23.6	36.5	75	10
JWB06EW20 -xx-xx-x-TLxx	20	26.7	39.9	75	12
JWB06EW22 -xx-xx-x-TLxx	22	29.8	43.1	80	14
JWB06EW24 -xx-xx-x-TLxx	24	33.0	46.6	80	16
JWB06EW28 -xx-xx-x-TLxx	28	38.6	53.4	85	18
JWB06EW 32 -xx-xx-x-TLxx	32	44.9	60.1	90	22
JWB06EW 36 -xx-xx-x-TLxx	36	50.3	66.3	90	24

※ Note: TL adapters is compatible with DL adapters. / TL = Tinel-Lock Ring for Single braid (AI), DL = Tinel-Lock Ring for Double braid(BI)

JWB06EW - ZLXX

Straight plug shielded with
Zeta-Lock adapter



JWB Order No.	Shell size	ØD1 -0.3	ØD2 max	L1 max	Entry max
JWB06EW 10SL- xx-xx-x-ZLxx	10SL	11.3	22.8	60	05
JWB06EW 14S -xx-xx-x-ZLxx	14S	17.1	29.2	65	07
JWB06EW 16S -xx-xx-x-ZLxx	16S	20.4	32.0	75	08
JWB06EW 16 -xx-xx-x-ZLxx	16	20.4	32.0	75	08
JWB06EW 18 -xx-xx-x-ZLxx	18	23.6	36.5	80	10
JWB06EW 20 -xx-xx-x-ZLxx	20	26.7	39.9	80	12
JWB06EW 22 -xx-xx-x-ZLxx	22	29.8	43.1	85	14
JWB06EW 24 -xx-xx-x-ZLxx	24	33.0	46.6	85	16
JWB06EW 28 -xx-xx-x-ZLxx	28	38.6	53.4	90	18
JWB06EW 32 -xx-xx-x-ZLxx	32	44.9	60.1	95	22
JWB06EW 36 -xx-xx-x-ZLxx	36	50.3	66.3	95	24

※ Refer to TLxx / DLxx-table I and ZLxx-table II, III page no 37 for entry dimension.

※ If you have any question on adapter angle 45° or 90°, Please ask to our JAEWON company.

JWB Series(Adapter type)

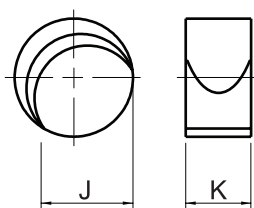
VG95234 Style

Entry Dimenslons

TABLE I [TL/DL]			
Entry size	Z +0.1	X -0.1	Y ±0.1
04	6.3	9.5	14.0
05	7.9	11.1	15.6
06	9.5	12.7	17.2
07	11.1	14.3	18.8
08	12.7	15.9	20.3
10	15.9	19.0	23.5
12	19.0	22.2	26.7
14	22.2	25.4	29.8
16	25.4	28.5	33.0
18	28.5	31.7	36.2
20	31.7	34.9	39.3
22	34.9	38.1	42.5
24	38.1	41.3	45.7

TABLE II [ZL]				
Entry size	Z +0.1	X -0.4	Y ±0.1	Spring Ref.
04	6.3	9.4	14.0	HE050
05	7.9	11.0	15.6	HE 100
06	9.5	12.6	17.2	HE 100
07	11.1	14.2	18.8	HE 100
08	12.7	15.8	20.3	HE200
09	14.3	17.4	21.9	HE200
10	15.9	18.9	23.5	HE200
11	17.5	20.5	25.1	HE200
12	19.0	22.1	26.7	HE300
13	20.6	23.7	28.3	HE300
14	22.2	25.3	29.8	HE300
15	23.8	26.9	31.4	HE300
16	25.4	28.4	33.0	HE300
17	27.0	30.0	34.6	HE400
18	28.5	31.6	36.2	HE400
19	30.1	33.2	37.8	HE400
20	31.7	34.8	39.3	HE400
21	33.3	36.4	40.9	HE400
22	34.9	38.0	42.5	HE400
23	36.5	39.6	44.1	HE400
24	38.1	41.2	45.7	HE400

Spring coil for Zeta-Lock Adapter



Spring coil

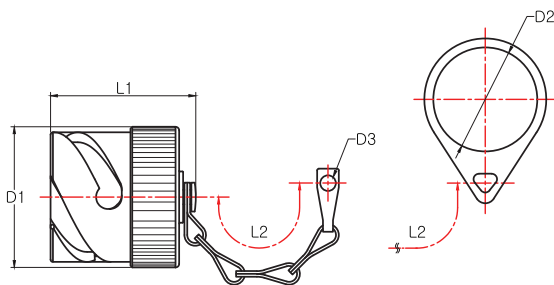
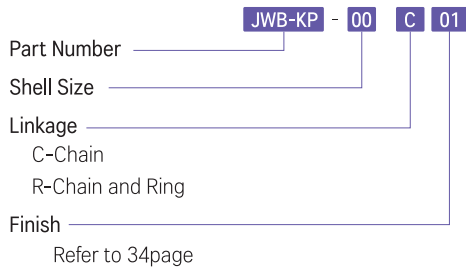
TABLE III [ZL]		
Spring Ref.	J	K
HE 050	7.34	9.52
HE 100	9.22	9.52
HE 200	14.50	9.52
HE 300	18.50	9.52
HE 400	25.00	9.52

JWB Series

VG95234 Style

JWB KP (Plug Cap)

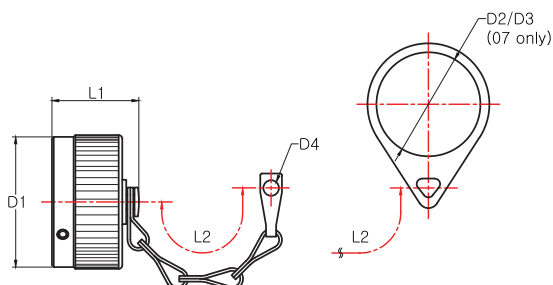
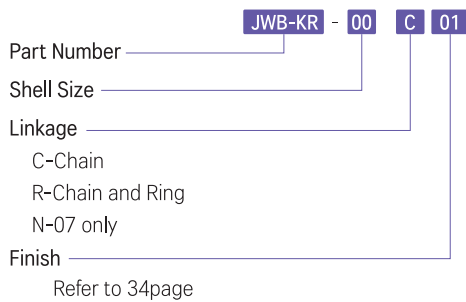
UNIT: mm



Size	ØD1 Max	ØD2 Min	ØD3 ±0.1	L1 Max	L2 ±0.5
10SL	21.0	14.4	4.3	29.0	100
14S	27.5	19.2	4.3	29.0	110
16S	30.0	22.4	4.3	37.0	110
16	30.0	22.4	4.3	37.0	125
18	33.5	25.6	4.3	37.0	125
20	37.5	28.8	4.7	37.0	140
22	40.0	32.0	4.7	37.0	140
24	43.5	35.0	4.7	37.0	140
28	49.5	41.4	4.7	37.0	190
32	56.0	47.8	5.5	37.0	190
36	62.5	54.2	5.5	37.0	190

JWB KR (Receptacle Cap)

UNIT: mm



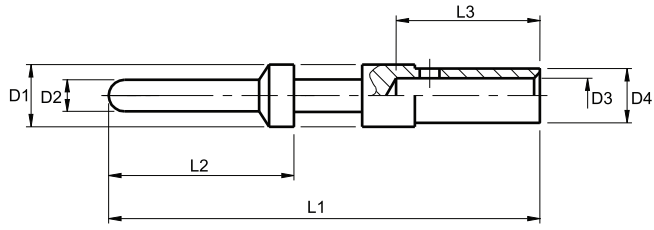
Size	ØD1 Max	ØD2 Min (R전용)	ØD3 Min (N전용)	ØD4 ±0.1	L1	L2 ±0.5
10SL	22.8	14.4	22.4	4.3	20.0	100
14S	29.2	19.2	28.8	4.3	20.0	100
16S	32.0	22.4	32.0	4.3	20.0	100
16	32.0	22.4	32.0	4.3	25.0	115
18	36.5	25.6	35.1	4.3	25.0	115
20	39.9	28.8	41.4	4.3	25.0	125
22	43.1	32.0	41.4	4.3	25.0	125
24	46.6	35.0	47.8	4.3	25.0	125
28	53.4	41.4	54.2	5.5	25.0	170
32	60.1	47.8	57.4	5.5	25.0	170
36	66.3	54.2	63.7	5.5	25.0	170

JWB Series

VG95234 Style

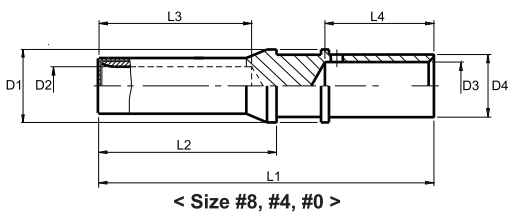
Contacts

Pin Contacts

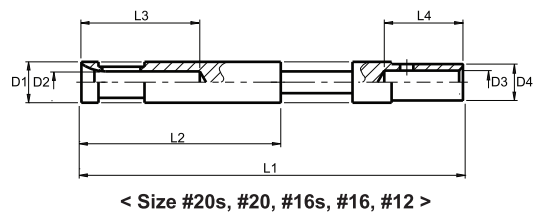


Contact size AWG	ØD1 -0.15	ØD2 -0.05	ØD3 +0.05	ØD4 -0.05	L1 ±0.2	L2 ±0.1	L3 min
20S	2.10	1.00	1.50	1.95	25.0	11.3	4.6
20	2.10	1.00	1.50	1.95	28.4	11.3	4.6
16S	3.20	1.60	1.75	2.75	27.4	13.9	6.8
16	3.20	1.60	1.75	2.75	31.4	13.9	6.8
12	4.80	2.40	2.50	3.80	37.0	18.3	6.8
8	7.60	3.60	4.55	6.80	39.6	20.0	12.0
4	11.10	5.75	7.10	9.55	39.6	20.0	12.0
2	13.20	7.20	9.10	11.70	41.0	20.0	14.0
0	15.10	9.10	11.50	14.35	41.0	20.0	14.0

Socket Contacts



< Size #8, #4, #0 >



< Size #20s, #20, #16s, #16, #12 >

Contact size AWG	ØD1 -0.15	ØD2 -0.05	ØD3 +0.05	ØD4 -0.05	L1 ±0.2	L2 ±0.1	L3 min	L4 min
20S	2.00	1.07	1.50	1.95	27.1	15.1	7.5	4.6
20	2.00	1.07	1.50	1.95	36.4	16.4	7.5	4.6
16S	3.20	1.65	1.75	2.75	29.1	15.1	10.0	6.8
16	3.20	1.65	1.75	2.75	37.8	19.8	10.0	6.8
12	4.80	2.45	2.55	3.75	37.0	19.0	15.0	6.8
8	7.50	3.70	4.60	6.75	40.1	20.6	15.0	12.0
4	11.10	5.80	7.20	9.55	40.1	20.6	15.0	12.0
2	13.20	7.30	9.10	11.70	40.6	20.6	15.0	13.5
0	15.00	9.17	11.50	14.35	41.6	20.6	15.0	13.5

JWB Series

VG95234 Style

Cross Reference List

1. Comparison by item number - JWB, VG, CA Connectors

JWB JWB00E 18-1PN-F80 VG VG95234 J1 18-1PN-F80 CA CA3100E 18-1PN-B-F80

2. Comparison by Wire

AWG (American Wire Gauge)

JWB JWB00E 18-1PN-F80 VG VG95234 J1 18-1P1N CA CA3100E 18-1PN-B-F80

mm² (Metric)

JWB JWB00E 18-1PN-01 VG VG95234 J1 18-1PN CA CA3100E 18-1PN-B-01

AWG (American Wire Gauge)			Solder Contacts
JWB	VG	CA	JWB
JWB00E *-F80	VG95234 J1 -.-.1.	CA3100E *B-F80	JWB00E *
JWB00E *-05-F80	VG95234 J2 -.-.1.	CA3100E *B-05-F80	JWB00E *-05
JWB00E *-15	VG95234 N1 -.-.1.	CA3100E *B-15	JWB00E *-13
JWB00E *-05-15	VG95234 N2 -.-.1.	CA3100E *B-05-15	JWB00E *-05-13
JWB00E *-02	VG95234 U1 -.-.1.	CA3100E *B-02	JWB00E *-06
JWB00E *-05-02	VG95234 U2 -.-.1.	CA3100E *B-02-05	JWB00E *-05-06
JWB00E *-32	VG95234 S1 -.-.1.	CA3100E *B-32	JWB00E *-32
JWB00E *-08-F80		CA3100E *B-08-F80	JWB00E *-08
JWB00E *-09-F80		CA3100E *B-09-F80	JWB00E *-09
JWB00F *-F80		CA3100F *B-F80	JWB00F *
JWB00F *-05-F80		CA3100F *B-05-F80	JWB00F *-05
JWB00F *-08-F80		CA3100F *B-08-F80	JWB00F *-08
JWB00F *-09-F80		CA3100F *B-09-F80	JWB00F *-09
JWB00R *-F80		CA3100R *B-F80	JWB00R *
JWB00R *-05-F80		CA3100R *B-05-F80	JWB00R *-05
JWB02A *-F80	VG95234 A -.-.1.	CA3102E *B-F80	JWB02A *
JWB020E *			
JWB020G *			
JWB02B *-F80	VG95234 B1 -.-.1.	CA3102E *B-109	JWB02B *-111
JWB02B *-05-F80	VG95234 B2 -.-.1.	CA3102E *B-05-F80	JWB02B *-05
JWB TB*	VG95234 C1 -.-.1.	TBF-B	
JWB07A *-F80			JWB07A *
JWB070A *-F80			JWB070A *
JWB070A SB *-F80			
JWB070A SBT *-F80			
JWB07G *-F80			JWB07G *
JWB070G *-F80			JWB070G *
JWB070G SB *-F80			
JWB070G SBT *-F80			
JWB01E *-F80	VG95234 F -.-.1.	CA3101E *B-F80	JWB01E *
JWB01E *-02		CA3101E *B-02	JWB01E *-06
JWB01E *-15		CA3101E *B-15	JWB01E *-13
JWB01F *-F80		CA3101F *B-F80	JWB01F *
JWB01R *-F80		CA3101R *B-F80	JWB01R *
JWB06E *-F80	VG95234 D -.-.1.	CA3106E *B-F80	JWB06E *
JWB06E *-02	VG95234 G -.-.1.	CA3106E *B-02	JWB06E *-06
JWB06E *-15	VG95234 M -.-.1.	CA3106E *B-15	JWB06E *-13
JWB06E *-32	VG95234 R1 -.-.1.	CA3106E *B-32	
JWB06F *-F80	VG95234 H -.-.1.	CA3106F *B-F80	JWB06F *
JWB06F *-15	VG95234 L -.-.1.	CA3106F *B-15	JWB06F *-13
JWB06R *-F80		CA3106R *B-F80	JWB06R *
JWB08E *-F80	VG95234 E -.-.1.	CA3108E *B-F80	JWB08E *
JWB08F *-F80	VG95234 E1 -.-.1.	CA3108F *B-F80	JWB08F *
JWB08F *-15	VG95234 K -.-.1.	CA3108F *B-15	JWB08F *-13



JWGE CONNECTOR

(VG96929 Style)



JWGE Series

VG96929 Style



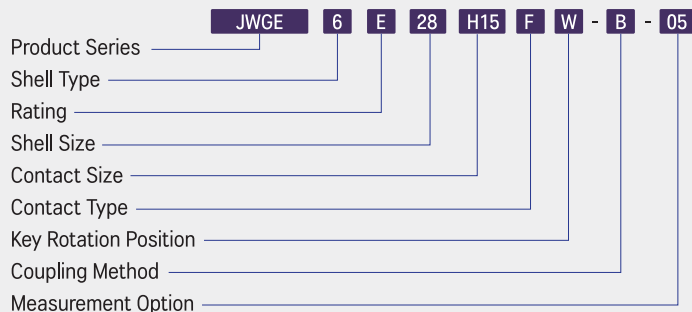
개요 (Overview)

이 커넥터는 군용 장비를 포함하여 다양한 산업에서 사용되고 있음
동커넥터는 낮은 전압에서 높은 전류의 접속 및 결합과 기계적 특징이
VG95234의 패널 설치 조건을 충족하도록 설계되었습니다.

The JWGE Series (VG96929) was originally designed for military equipments and today it is widely used commercially. It was designed to send high electric current at low voltages and to satisfy coupling measurements, mechanical characteristics, and the set-up requirements on the back panel of the VG95234.

주문정보 (Ordering Information)

JAEWON Nomenclature



• Product Series

Jeawon High-tech Product Series

• Shell Type

- 0 - Wall Mounting Receptacle With Flange
- 1 - Cable Connecting Plug
- 2 - Box Mounting Receptacle with Flange
- 6 - Straight Plug
- 8 - Plug 90°

• Rating

E - Water Resistant Structure

• Shell Size

18, 22, 28, 32

• Contact Size

- H2 - 25 mm²
- H5 - 50 mm²
- H15 - 150 mm²
- H24 - 240 mm²

• Contact Type

- F - 스프링 접점
- Z - 실린더 접점

• Key Rotation Position

- N - 180°
- W - 120°

• Coupling Method

Bayonet Coupling

• Measurement Option

- 03 - Adaptor for heat shrink boots
- 04 - Installed at the back panel, screw hole, metric clamping contact
- 05 - flange mounting hole is a through-hole type
- 14 - shield version, metric clamping contact
- 16 - screw bolt end point, installed at the front panel, sealed between the wall and the receptacle

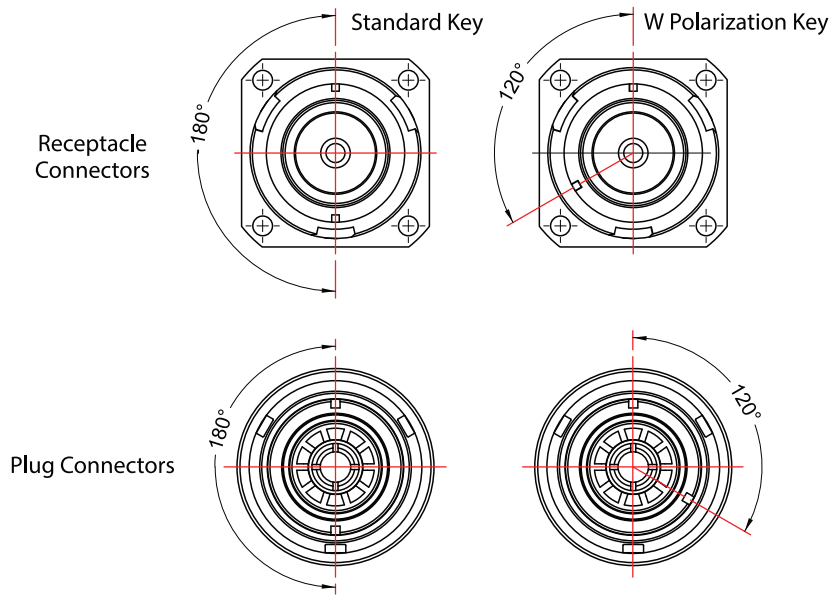


JWGE Series

VG96929 Style



Key Rotation Position



Alternate Keyway Positions

To avoid mismatching of similar connectors, VG96929 connectors are available with keyway in two different positions as shown below:

N : 180°

W : 120°

Technical Data

Ambient Temperature	-55°C ~ +125°C
Testing Pressure	1 bar overpressure
Testing Durability	12 hour
Vibration Testing	10~2000Hz에서 200m/s ²
Mechanical Durability	Combine / Separation 500 cycle
Waterproof Grade	IP67

Material and Protection Coating

Body Protection Coating	Aluminum alloy Cadmium plating on top of Nickel plating
Insulator	PTFE
Insulator Contact Protection Coating	Brass Hard silver plating

Contact Retention Force

Contact size	Testing Force (N)
	Min.
H5	120
H9	140
H15	160
H24	200

It must match the condition of testing no. 5.4 in Part 2 of VG95319.

Coupling contracting force

Shell size	Max. Nm	
	locking/unlocking	unlocking
18	8.0	0.6
22	11.0	0.8
28	17.0	0.9
32	19.0	1.0

It must match the condition of testing no. 5.8.2 in Part 2 of VG95319.

JWGE Series

VG96929 Style



Electrical Data

Rated Current temperature 125°C (A)

Shell size	18	22	28	32
Contact size	H5	H9	H15	H24
Maximum rated current(A)	350	570	750	950
Maximum time allowed 0.5~1(A)	1000	2000	3000	5000

Creepage and Air Clearances

Creepage Distance Minimum	5mm
Air Clearances Minimum	3mm
Insulation Resistance	Minimum 5000MΩ

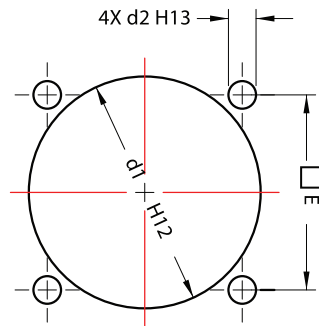
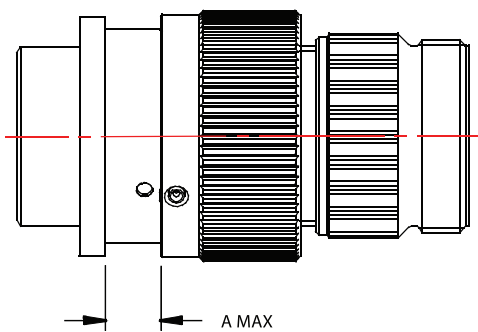
Contact Resistance

Contact Size	H5	H9	H15	H24
Contact Resistance (Max mΩ)	0.3	0.15	0.1	0.07

Panel Cut-Outs

VG96929 Style A2, B1, C1, C2

Cut-outs of front and back of receptacle connector panel.



PANEL THICKNESS FOR TYPES A1 - A2 - B1

Shell Size(Max)	16	18	22	28	32
A	3.7	3.7	3.7	5.25	6.1

Size	d1 (mm)		d2 (mm)			E
	Front	Back	A1	A2	B1	
18	27.4	31.1	M4	M4	4.5	27.0
22	33.7	37.8	M4	M4	4.5	31.8
28	43.3	47.1	M4	M4	5.5	39.7
32	49.7	53.8	M4	M4	5.5	44.5

JWGE Series

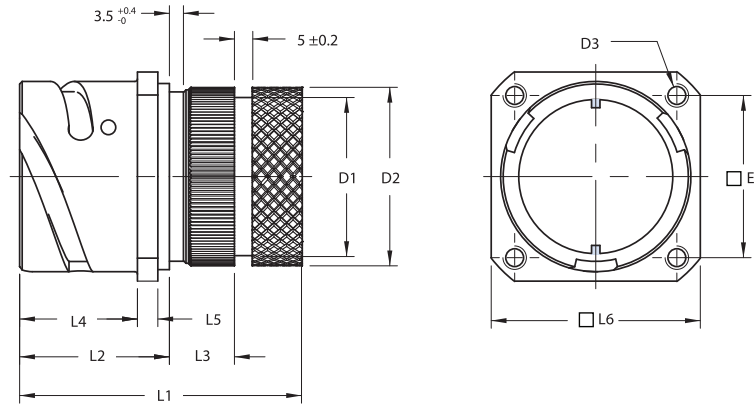
VG96929 Style

JWGE0E...B-03

VG96929 Style B1

Wall Mounting Receptacle

Flange is attached at the back of the panel.
 Flange coupling hole is a screw type.
 Can use adaptor and boots.
 Uses metric clamping contact.



UNIT: mm

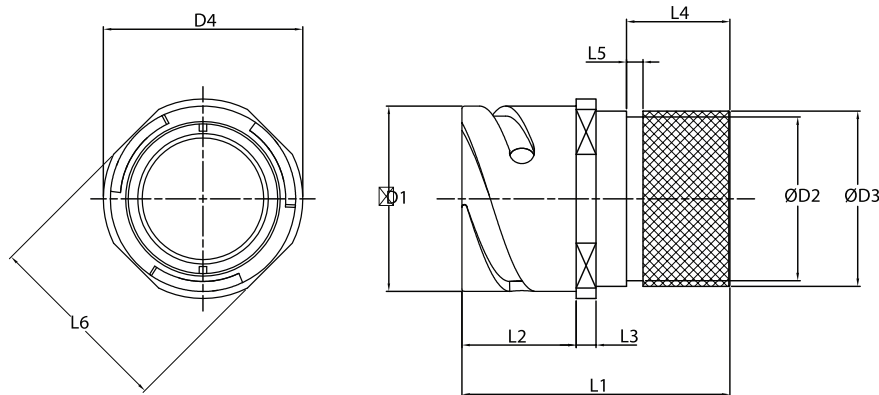
Cable mm ²	Size	D1 Max	D2 Max	D3	□E ±0.1	L1 ±0.4	L2 ±2	L3 Opt	L4 ±0.4	L5 ±0.3	□L6 ±0.3	Weight for Alloy Version (gr. max)
50	18	25.8	28.4	M4	27.0	50.0	32	-	23.05	4.0	35.0	150
95	22	33.0	35.3	M4	31.8	54.0	34	-	23.05	4.0	41.0	240
150	28	41.3	44.8	M5	39.7	65.3	38	18	24.05	4.0	50.8	420
240	32	46.1	49.6	M5	44.5	66.8	39	18	28.90	4.0	57.0	520

JWGE1E...B-03

VG96929 Style B1

Cable Connecting Plug

Can use adaptor and boots.
 Uses metric clamping contact.



UNIT: mm

Shell Size	D1 +0.00 -0.15	D2 Max.	D3 Max.	D4	L1 ±0.3	L2 +0.4	L3 ±0.2	L4 ±0.2	L5 ±0.2	L6 ±0.2
18	30.8	25.8	28.4	34.8	50.0	23.05	4.0	18.1	3.3	31.7
22	37.4	33.0	35.3	41.4	54.0	23.05	4.0	20.8	3.3	37.4
28	46.7	41.3	44.8	50.9	65.3	24.05	4.0	20.8	3.7	47.6
32	53.4	46.1	49.6	57.1	66.8	28.90	4.0	28.0	3.7	54.0

JWGE Series

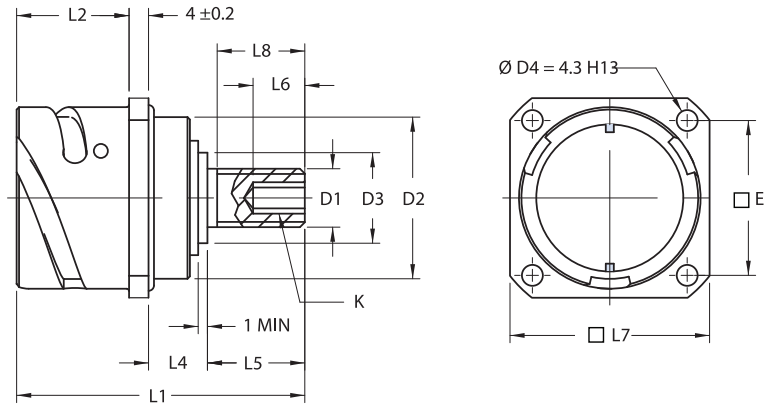
VG96929 Style

JWGE2E...B-16

VG96929 Style A2

Box Mounting Receptacle

Flange is attached at the front of the panel.
Flange coupling hole is a through-hole type.
Terminal port is bolt type.



UNIT: mm

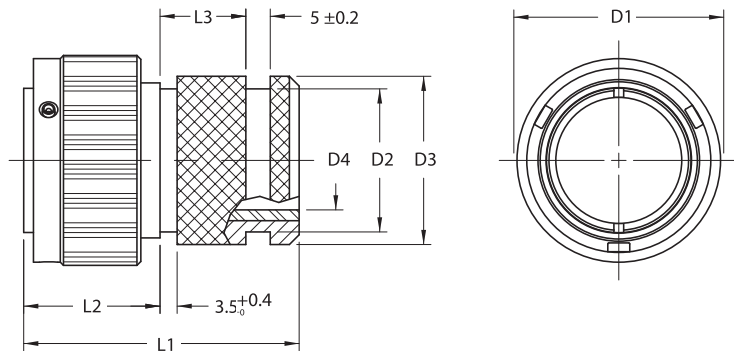
Cable mm ²	Size	D1	D2 +0 -0.15	D3 +0 -0.15	Ø D4 ±0.3	□ E ±0.1	K ±0.2	L1 Max	L2 +0.4 -0	L4 ± 1.5		L5 ±0.3	L6 ±0.3	L7 ±0.3	L8 Min	Weight gr. Max
										(F)	(Z)					
50	18	M8	26.9	15.0	4.3	27.0	3	55	23.05	12.0	12.0	15	10	35.0	12	130
95	22	M12	33.2	18.7	4.3	31.8	6	66	23.05	13.5	12.0	25	8	41.0	22	165
150	28	M12	42.8	27.0	5.3	39.7	6	62	24.05	12.0	12.0	20	8	50.8	16	320
240	32	M16	49.2	31.7	5.3	44.5	8	78	28.90	14.0	14.0	30	8	57.0	27	370

JWGE6E...B-03

VG96929 Style G

Straight Plug

Can use adaptor and heat shrink boots together.
Uses metric clamping contact.



UNIT: mm

Cable mm ²	Size	D1 Max	D2 Max	D3 Max	D4 Min	L1 Max	L2 Max	L3 Opt	Weight gr. Max
95	22	43.1	31.5	35.3	23.9	57	37	13.3	146
150	28	53.5	41.3	44.8	27.3	65	37	18.0	270
240	32	60.1	46.1	49.6	32.8	65	39	15.0	320

JWGE Series

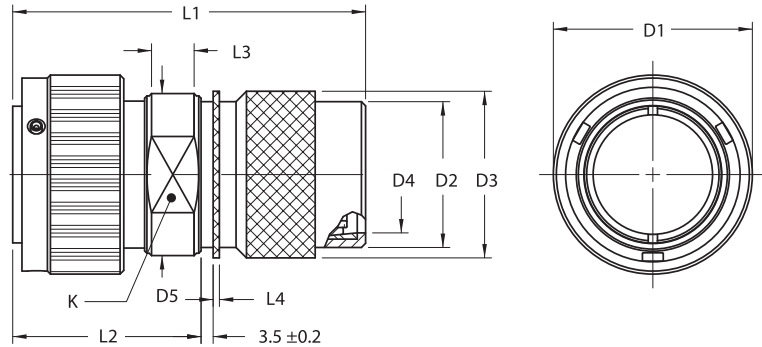
VG96929 Style

JWGE6E...B-14

VG96929 Style F

Straight Plug

EMI ground finger type connector.
 Can use EMI breides and boots at end bell.
 Uses metric clamping contact.



UNIT: mm

Cable mm ²	Size	D1 Max	D2 Max	D3 Max	D4 Min	D5 Max	K	L1 Max	L2 Max	L3 Min	L4 ±0.7	Weight gr. Max
50	18	36.5	28.8	32.0	20.0	36.5	32	76	51.1	6	1.0	156
95	22	43.1	34.1	37.0	25.5	46.0	38	86	61.0	9	1.0	204
150	28	53.5	40.7	44.0	32.0	53.0	50	98	71.7	9	1.0	300
240	32	60.1	47.3	51.6	38.0	60.0	52	98	70.7	12	2.0	450

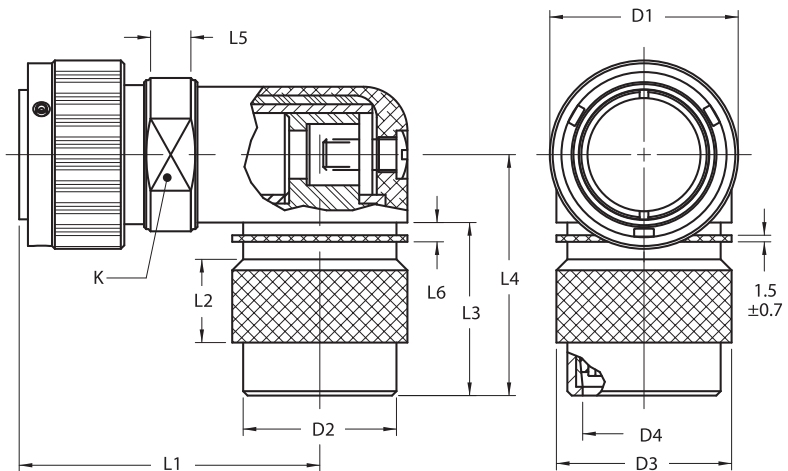
JWGE8E...B-03, -14 / 90° Plug

JWGE8E...B-14

VG96929 Style G

Straight Plug

EMI ground finger type connector.
 Can use EMI breides and boots at 90° end bell.
 Uses metric clamping contact.



UNIT: mm

Cable mm ²	Size	D1 Max	D2 Max	D3 Max	D4 ±0.3	K	L1 Max	L2 opt	L3 Max	L4 Max	L5 Min	L6 (tol.)	Weight for Alloy Version (gr. max)
50	18	36.5	32.0	37.5	23	32	80	18.0	41.5	55	6.0	2.9 (± 0.5)	540
95	22	43.1	39.0	42.5	28	38	81	19.0	41.5	57	6.0	2.9 (± 0.5)	750
150	28	53.5	43.7	48.0	29	50	79	20.6	41.5	58	7.5	3.2 (± 0.2)	1076
240	32	60.1	48.6	52.5	42	52	84	22.2	41.5	65	6.0	3.2 (± 0.2)	1340

JWGE8E...B-03

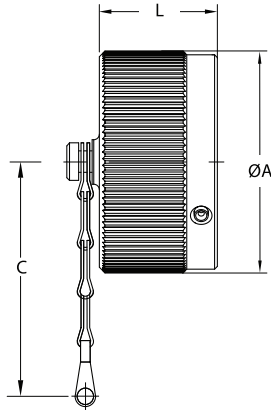
Not EMI ground finger type.

JWGE Series

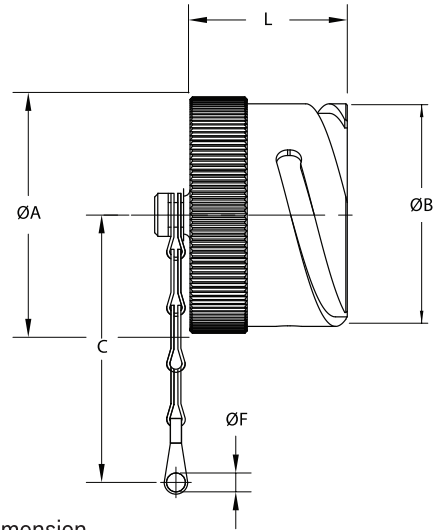
VG96929 Style

Metal Dust Caps With Chain

JW95234KR Style



JW95234KP Style



JWB KR dimension

UNIT: mm

Order Number	Shell Size	ØA Max	ØB ±0.1	C Min	ØF +0.2 -0	L Max
JWB KR-18C	18	36.4	30.8	123	4.3	33.0
JWB KR-22C	22	43.5	37.4	138	4.8	33.0
JWB KR-28C	28	54.0	46.7	206	4.8	33.0
JWB KR-32C	32	60.0	53.4	206	5.6	34.2

JWB KP dimension

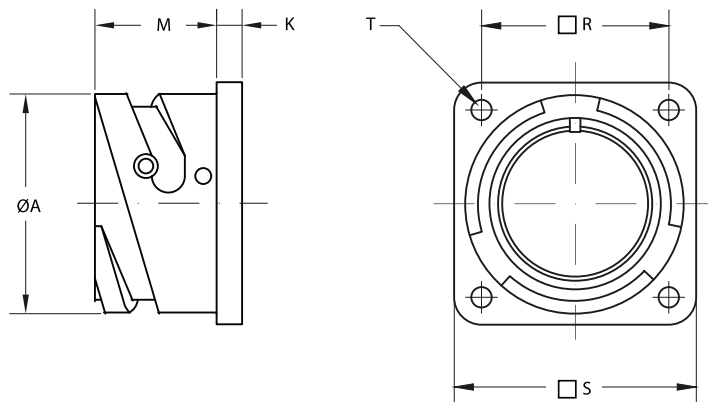
UNIT: mm

Order Number	Shell Size	ØA Max	ØB ±0.1	C Min	ØF +0.2 -0	L Max
JWB KP-18C	18	36.4	30.8	123	4.3	33.0
JWB KP-22C	22	43.5	37.4	138	4.8	33.0
JWB KP-28C	28	54.0	46.7	206	4.8	33.0
JWB KP-32C	32	60.0	53.4	206	5.6	34.2

Dummy Receptacle

VG95234 Style BOD

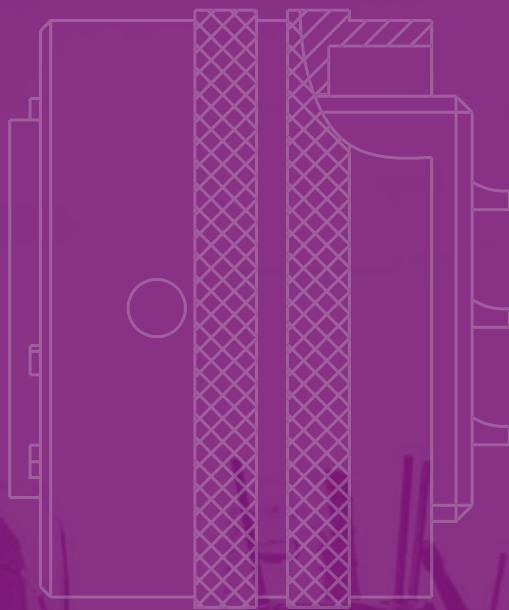
Installed at the front panel.
Panel mounting hole is a through-hole type.



JWB 05 dimension

UNIT: mm

Order Number	Shell Size	ØA +0 -0.1	K ±0.2	M +0.2 -0	□R ±0.1	□S +0.2	ØT +0.1 -0	Weight (gr. max)
JWB 05-18	18	30.7	4.0	19.1	27.00	35.0	3.2	35
JWB 05-22	22	37.3	4.0	19.6	31.75	41.0	3.2	45
JWB 05-28	28	46.7	4.0	20.7	39.70	50.9	3.7	60
JWB 05-32	32	53.4	4.0	22.3	44.5	57.0	4.3	70



JW26482-I Connector

(MIL-DTL-26482-I Style Connector)



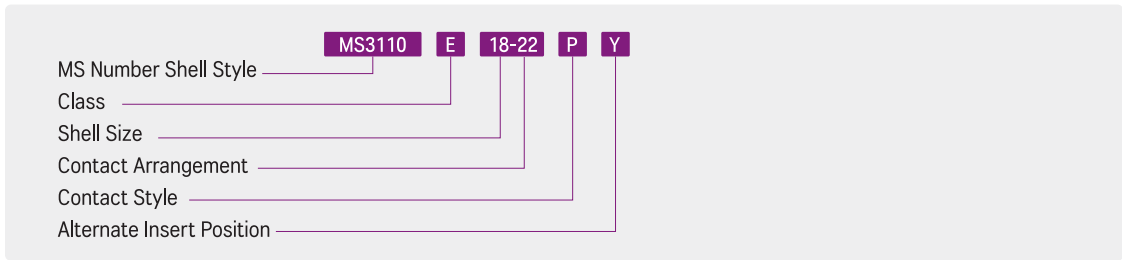
RCV-03

JW26482-I Series

MIL-DTL-26482-I Style

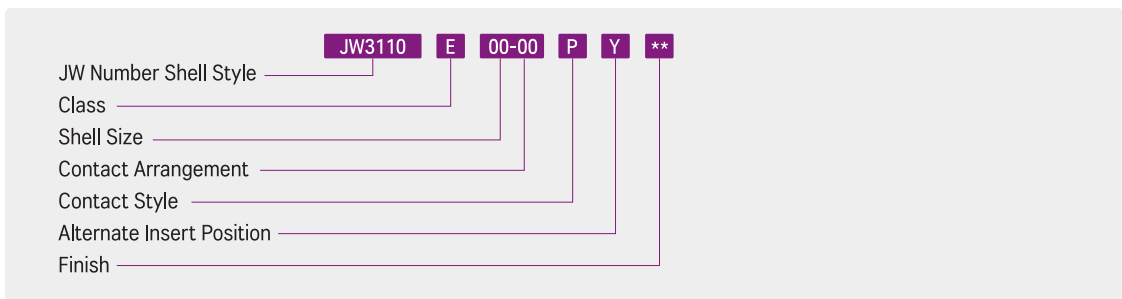
주문정보 Ordering Information

Military Nomenclature



- MS Number Shell Style**
 MS3110 - Wall Mounting Receptacle
 MS3111 - Cable Connecting Plug
 MS3112 - Box Mounting Receptacle (Class E Only)
 MS3116 - Straight Plug
 MS3119 - Thru-Bulkhead Receptacle (Class E Only)
- Class**
 A - General Duty(not MS Approved)
 E - Grommet seal except on 3112 (MS Specification)
 F - Grommet seal with strain relief (MS Specification)
 P - Potted (MS Specification)
- Shell Size**
 8, 10, 12, 14, 16, 18, 20, 22
- Contact Arrangement**
 MIL-STD-1669
- Contact Style**
 P - Pin
 S - Socket
- Alternate Insert Position**
 N(Normal), W, X, Y, Z(MIL-STD-1669)

JAEWON Nomenclature



- JW Number Shell Style**
 JW3110 - Wall Mounting Receptacle
 JW3111 - Cable Connecting Plug
 JW3112 - Box mounting Receptacle (Class E Only)
 JW3114 - Jam Nut Receptacle
 JW3116 - Straight Plug
- Class**
 A - General Duty(not MS Approved)
 E - Grommet seal except on 3112 (MS Specification)
 F - Grommet seal with strain relief (MS Specification)
 P - Potted (MS Specification)
- Shell Size**
 8, 10, 12, 14, 16, 18, 20, 22
- Contact Arrangement**
 MIL-STD-1669에 따름
- Contact Style**
 Plating ; 금 또는 주석, Gold or Tinning
 P - Pin, S - Socket
- Alternate Insert Position**
 N(Normal), W, X, Y, Z (MIL-STD-1669)
- Finish**
 Blank Electro-deposition coating, olive drab (RoHS) (standard) / 전착국방
 D Electro-deposition coating, black (RoHS) / 전착흑색
 W Cadmium chromate over zinc plating / 카드뮴
 G Olive drab over zinc plating / 아연국방
 B Black over zinc plating / 아연흑색
 R Electroless nickel plating/무전해니켈
 N Nickel plating/니켈
 Z Black trivalent chromate over zinc plating (RoHS) / 아노다이징

JW26482-I Series

MIL-DTL-26482-I Style

결합안내 Mating Face View



기술적 정보 Technical Data

표준 재질 Standard Materials

Portion	Materials
몸체 Shell	Aluminum Alloy
절연체 Insulator	Polychloroprene
절연체 패킹 Grommet and seal	Polychloroprene
접점 Contacts	Brass

전기적 특성 Electrical Data

Wire Range Accommodations		Insulation O.D. Limits		Contact Rating			
Contact size	AWG Wire size	Min.	Max.	Contact size	Rated Amps	Test Current	Millivolt Drop
20	24, 22, 20	1.52	2.11	20	7.5	7.5	55
16	20, 18, 16	1.68	2.77	16	22.0	13.0	49
12	12, 14	2.46	3.61	12	23.0	20.0	42

Dielectric Withstanding Voltage

Service Rating	Operating Voltage. Max.		Test Voltage. AC(rms), 60cps			
	AC(rms)	DC	Sea Level	50,000(ft)	70,000(ft)	110,000(ft)
I	600	850	1500	500	375	200
II	1000	1275	2300	750	500	200

절연저항 Insulation Resistance	5,000MΩ Min. (at 25°C)
사용온도범위 Operating Temperature Range	-55°C ~ +125°C
내구성 Durability	500 cycle, mate and unmate
방수등급 Waterproof Grade	IP67

JW26482-I Series

MIL-DTL-26482-I Style

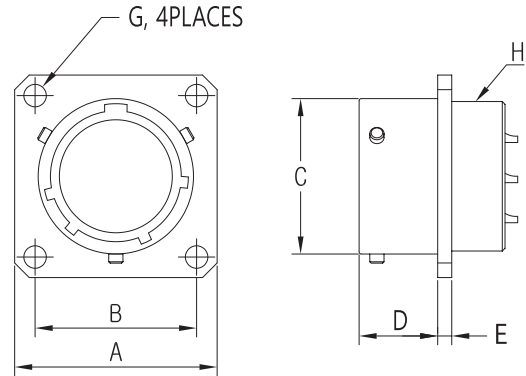
JW3110 Wall Mounting Receptacle

MS3110 Style

JW3110 CLASS "A", "E", "F", "P"

E, F Type - 절연체 패킹 및 부싱포함

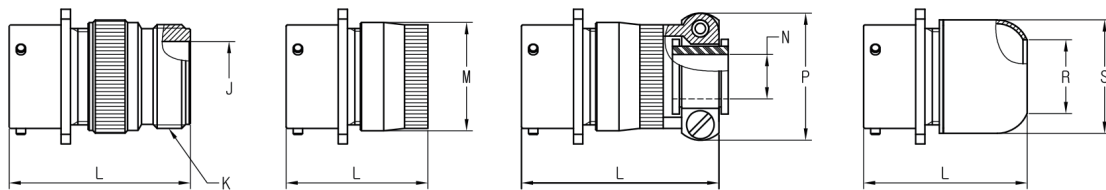
E, F Type - Includes grommet and bushing



UNIT: mm

Size	A Max.	B ±0.10	C Dia. ±0.00 -0.15	D ±0.79 -0.00	E ±0.41	G Dia. ±0.13	H Thread. (Class : 2A)
8	21.03	15.09	12.04	10.95	1.57	3.05	7/16-28UNEF
10	24.23	18.26	15.01	10.95	1.57	3.05	9/16-24UNEF
12	26.59	20.62	19.08	10.95	1.57	3.05	11/16-24UNEF
14	28.98	23.01	22.25	10.95	1.57	3.05	13/16-20UNEF
16	31.34	24.61	25.43	10.95	1.57	3.05	15/16-20UNEF
18	33.73	26.97	28.60	10.95	1.57	3.05	1 1/16-18UNEF
20	36.91	29.36	31.78	14.12	2.39	3.05	1 3/16-18UNEF
22	40.08	31.75	34.95	14.12	2.39	3.05	1 5/16-18UNEF

Termination Assembly



"A" TYPE

"E" TYPE

"F" TYPE

"P" TYPE

UNIT: mm

Size	CLASS "A"			CLASS "E"		CLASS "F"			CLASS "P"		
	L Max.	J Dia.	K Thread. (Class : 2A)	L Max.	M Dia. Max.	L Max.	N Dia. Min.	P Max.	L Max.	R Dia. Min.	S Dia. Max.
8	36.68	8.15	1/2-28UNEF	33.73	15.44	48.82	2.92	21.03	36.91	8.05	15.44
10	36.68	11.84	5/8-24UNEF	33.73	18.64	48.82	4.52	22.63	36.91	11.02	18.64
12	36.68	15.01	3/4-24UNEF	33.73	21.79	48.82	7.67	25.81	36.91	13.92	21.79
14	36.68	19.05	7/8-20UNEF	33.73	24.99	48.82	9.27	28.98	36.91	17.09	24.99
16	36.68	21.08	1-20UNEF	33.73	28.19	51.99	12.45	30.56	36.91	20.27	28.19
18	36.68	24.08	1 3/16-18UNEF	33.73	31.34	52.78	15.62	37.31	36.91	22.83	31.34
20	43.89	26.49	1 3/16-18UNEF	38.89	34.54	59.54	15.62	37.31	42.47	26.01	34.54
22	43.89	30.43	1 7/16-18UNEF	38.89	37.69	59.54	18.80	42.06	42.47	29.18	37.69

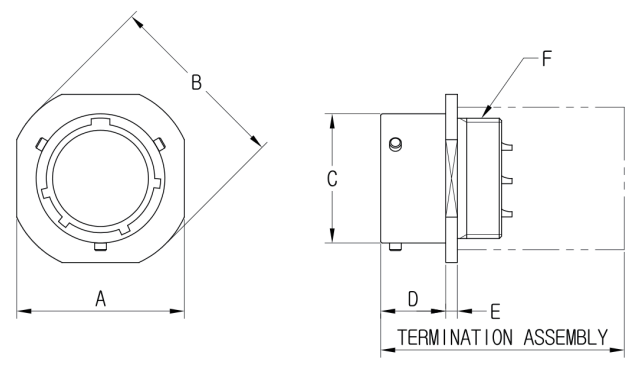
JW26482-I Series

MIL-DTL-26482-I Style

JW3111 Cable Connecting

MS3111 Style

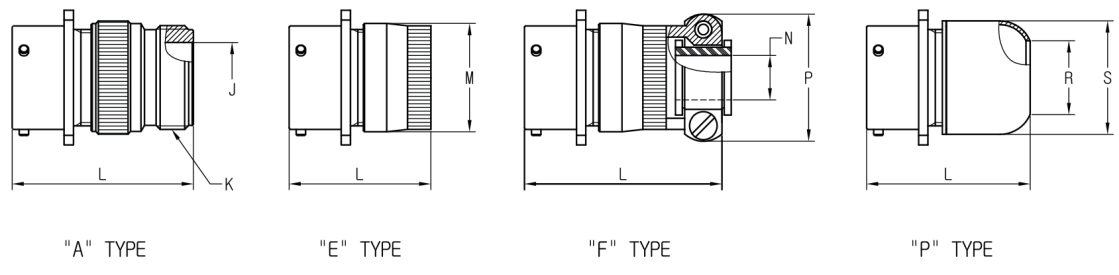
JW3111 CLASS "A", "E", "F", "P"
 E, F Type - 절연체 패킹 및 부싱포함
 E, F Type - Includes grommet and bushing



UNIT: mm

Size	A Max.	B Dia. ±0.51	C Dia. ±0.00 -0.15	D ±0.79 -0.00	E ±0.41	H Thread. (Class : 2A)
8	21.03	23.83	12.04	10.16	2.39	7/16-28UNEF
10	24.23	26.97	15.01	10.16	2.39	9/16-24UNEF
12	26.59	29.36	19.08	10.16	2.39	11/16-24UNEF
14	28.98	31.75	22.25	10.16	2.39	13/16-20UNEF
16	31.34	34.14	25.43	10.16	2.39	15/16-20UNEF
18	33.73	36.53	28.60	10.16	2.39	1 1/16-18UNEF
20	36.91	39.67	31.78	13.59	2.92	1 3/16-18UNEF
22	40.08	42.88	34.95	13.59	2.92	1 5/16-18UNEF

Termination Assembly



UNIT: mm

Size	CLASS "A"			CLASS "E"		CLASS "F"			CLASS "P"		
	L Max.	G Dia. Min.	K Thread. (Class : 2A)	L Max.	J Dia. Max.	L Max.	K Dia. Min.	M Max.	L Max.	N Dia. Min.	P Dia. Max.
8	36.68	8.15	1/2-28UNEF	33.73	15.44	48.82	2.92	21.03	36.91	8.05	15.44
10	36.68	11.84	5/8-24UNEF	33.73	18.64	48.82	4.52	22.63	36.91	11.02	18.64
12	36.68	15.01	3/4-24UNEF	33.73	21.79	48.82	7.67	25.81	36.91	13.92	21.79
14	36.68	19.05	7/8-20UNEF	33.73	24.99	48.82	9.27	28.98	36.91	17.09	24.99
16	36.68	21.08	1-20UNEF	33.73	28.19	51.99	12.45	30.56	36.91	20.27	28.19
18	36.68	24.08	1 3/16-18UNEF	33.73	31.34	52.78	15.62	37.31	36.91	22.83	31.34
20	43.89	26.49	1 3/16-18UNEF	38.89	34.54	59.54	15.62	37.31	42.47	26.01	34.54
22	43.89	30.43	1 7/16-18UNEF	38.89	37.69	59.54	18.80	42.06	42.47	29.18	37.69

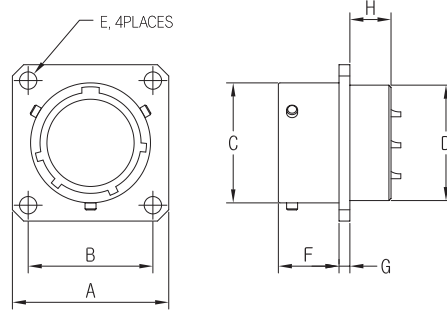
JW26482-I Series

MIL-DTL-26482-I Style

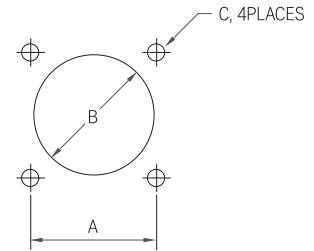
JW3112E

(MS 3112 Style)

Box Mounting Receptacle



Box and Wall Mounting Receptacle
(Front Mounting)



UNIT: mm

UNIT: mm

Size	A Max.	B ±0.10	ØC +0.00 -0.15	ØD Max.	ØE ±0.13	F +0.79 -0.00	G ±0.41	H
8	21.03	15.09	12.04	11.91	3.05	10.95	1.57	8.99
10	24.23	18.26	15.01	15.06	3.05	10.95	1.57	8.99
12	26.59	20.62	19.08	18.26	3.05	10.95	1.57	8.99
14	28.98	23.01	22.25	21.41	3.05	10.95	1.57	8.99
16	31.34	24.61	25.43	24.61	3.05	10.95	1.57	8.99
18	33.73	26.97	28.60	27.76	3.05	10.95	1.57	8.99
20	36.91	29.36	31.78	30.96	3.05	14.12	2.39	10.59
22	40.08	31.75	34.95	34.11	3.05	14.12	2.39	10.59

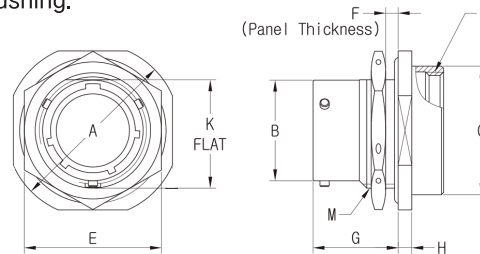
Size	A	ØB +0.25 -0.00	ØC ±0.13
8	15.09	15.0	3.17
10	18.26	18.0	3.17
12	20.62	21.0	3.17
14	23.01	24.0	3.17
16	24.61	27.0	3.17
18	26.97	30.0	3.17
20	29.36	34.0	3.17
22	31.75	36.0	3.17

Jam Nut Receptacle

MS3114 E, F

E, F TYPE - 절연체 패키징 및 부싱포함

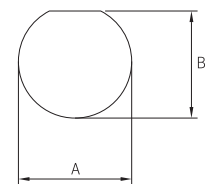
E, F TYPE - Includes grommet and bushing.



JW3114

MS3114 Style

Jam Nut Receptacle



UNIT: mm

UNIT: mm

Size	ØA +0.00 -0.81	ØB +0.00 -0.15	ØC Max	E ±0.43	F Min. Max.	G +0.79 -0.00	H ±0.51	K Flat. +0.00 -0.25	M Thread. (Class: 2A)	N Thread. (Class: 2B)
8	27.38	12.04	15.44	19.05	1.57 3.17	17.55	2.97	13.46	9/16-24UNEF	5/8-24UNEF
10	30.56	15.01	18.64	22.22	1.57 3.17	17.55	2.97	16.64	11/16-24UNEF	3/4-24UNEF
12	35.33	19.08	21.79	26.97	1.57 3.17	17.55	2.97	20.78	7/8-20UNEF	7/8-20UNEF
14	38.51	22.25	24.99	30.17	1.57 3.17	17.55	2.97	23.93	1-20UNEF	1-20UNEF
16	41.68	25.43	28.19	33.32	1.57 3.17	17.55	2.97	27.08	1 1/8-18UNEF	1 1/8-18UNEF
18	44.86	28.60	31.34	36.25	1.57 3.17	17.55	2.97	30.25	1 1/4-18UNEF	1 1/4-18UNEF
20	49.63	31.78	34.54	39.67	1.57 6.35	22.33	3.76	33.43	1 3/8-18UNEF	1 3/8-18UNEF
22	52.78	34.95	37.69	42.87	1.57 6.35	22.33	3.76	36.60	1 1/2-18UNEF	1 1/2-18UNEF

Size	ØA +0.13 -0.00	B +0.25 -0.13
8	14.68	13.72
10	17.86	16.89
12	22.61	21.03
14	25.78	24.18
16	28.96	27.33
18	32.13	30.51
20	35.31	33.68
22	38.48	36.86

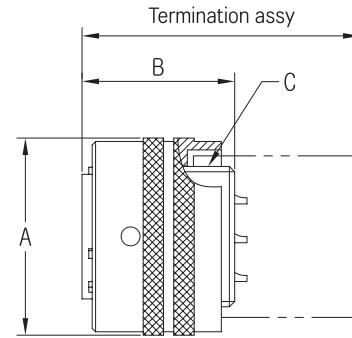
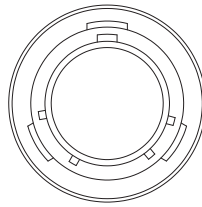
JW26482-I Series

MIL-DTL-26482-I Style

JW3116 Straight Plugs

MS3116 Style

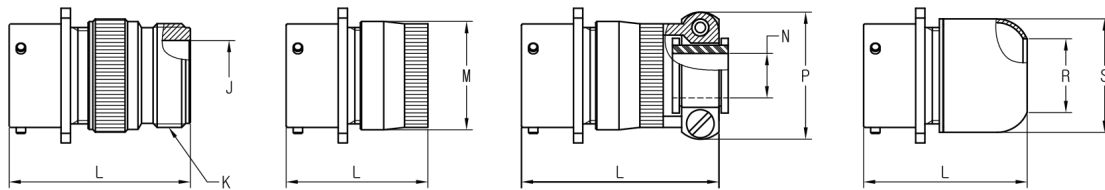
JW3116 CLASS "A", "E", "F", "P"
 E, F Type - 절연체 패킹 및 부싱포함
 E, F Type - Includes grommet
 and bushing



UNIT: mm

Size	A Dia. Max.	B Max.	C Thread. (Class:2A)
8	19.86	21.0	7/16-28UNEF
10	23.52	21.0	9/16-24UNEF
12	26.49	21.0	11/16-24UNEF
14	30.05	21.0	13/16-20UNEF
16	33.15	21.0	15/16-20UNEF
18	35.33	21.0	1 1/16-18UNEF
20	38.89	25.5	1 3/16-18UNEF
22	42.09	25.5	1 5/16-18UNEF

Termination Assembly



"A" TYPE

"E" TYPE

"F" TYPE

"P" TYPE

UNIT: mm

Size	CLASS "A"			CLASS "E"		CLASS "F"			CLASS "P"		
	L Max.	G Dia. Min.	K Thread. (Class : 2A)	L Max.	J Dia. Max.	L Max.	K Dia. Min.	M Max.	L Max.	N Dia. Min.	P Dia. Max.
8	36.68	8.15	1/2-28UNEF	33.73	15.44	48.82	2.92	21.03	36.91	8.05	15.44
10	36.68	11.84	5/8-24UNEF	33.73	18.64	48.82	4.52	22.63	36.91	11.02	18.64
12	36.68	15.01	3/4-24UNEF	33.73	21.79	48.82	7.67	25.81	36.91	13.92	21.79
14	36.68	19.05	7/8-20UNEF	33.73	24.99	48.82	9.27	28.98	36.91	17.09	24.99
16	36.68	21.08	1-20UNEF	33.73	28.19	51.99	12.45	30.56	36.91	20.27	28.19
18	36.68	24.08	1 3/16-18UNEF	33.73	31.34	52.78	15.62	37.31	36.91	22.83	31.34
20	43.89	26.49	1 3/16-18UNEF	38.89	34.54	59.54	15.62	37.31	42.47	26.01	34.54
22	43.89	30.43	1 7/16-18UNEF	38.89	37.69	59.54	18.80	42.06	42.47	29.18	37.69

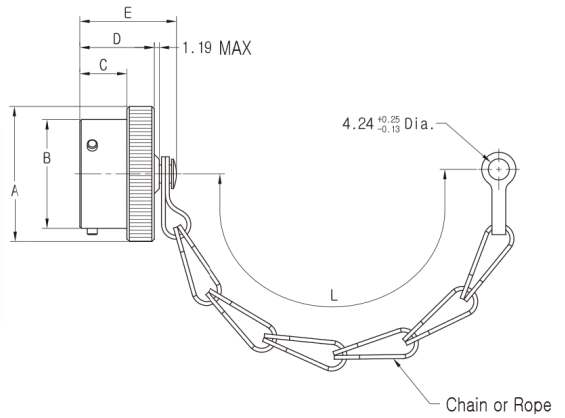
JW26482-I Series

MIL-DTL-26482-I Style Accessories

Plug Cap

JW3180

- Part Number **JW3180 - 12 C**
 Shell Size **12**
 Linkage **C**
 C-Chain
 W-Stainless wire
 R-Rope



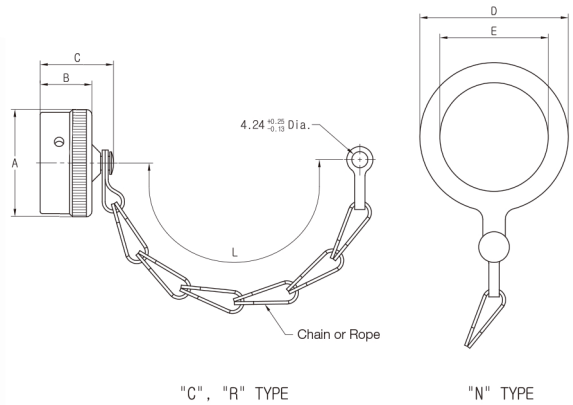
UNIT: mm

Size	ØA Max.	ØB +0.03 -0.13	C +0.79 -0.00	D Max.	E	L (Standard Length) +12.70 -6.35
8	18.26	12.01	9.35	14.27	19.84	76.20
10	21.44	14.99	9.35	14.27	19.84	76.20
12	25.40	19.05	9.35	14.27	19.84	88.90
14	28.58	22.22	9.35	14.27	19.84	88.90
16	31.75	25.40	9.35	14.27	19.84	88.90
18	34.92	28.58	9.35	14.27	19.84	88.90
20	38.10	31.75	10.92	15.88	21.44	101.60
22	41.28	34.92	10.92	15.88	21.44	101.60

Receptacle Cap

JW3181

- Part Number **JW3181 - 12 C**
 Shell Size **12**
 Linkage **C**
 C-Chain
 W-Stainless wire
 R-Rope
 N-Chain and Ring



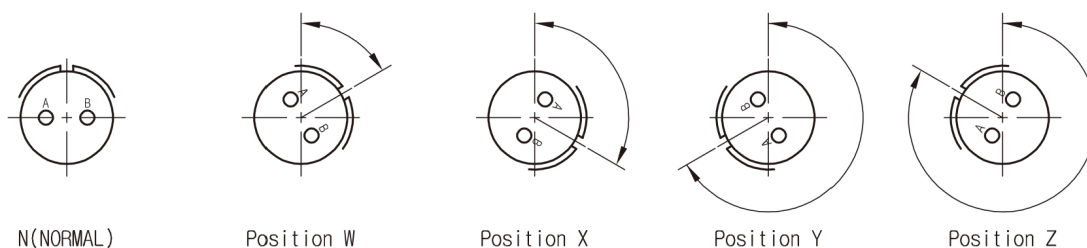
UNIT: mm

Size	ØA Max.	B Max.	C Max.	ØD Max.	ØE Max.	L (Standard Length) +12.70 -6.35
8	18.64	14.27	21.44	20.62	14.68	76.20
10	21.82	14.27	21.44	25.40	17.86	76.20
12	25.40	14.27	21.44	30.18	22.63	88.90
14	28.58	14.27	21.44	36.53	25.81	88.90
16	31.75	14.27	21.44	39.67	28.98	88.90
18	34.91	14.27	21.44	42.88	32.16	88.90
20	38.10	14.27	21.44	46.02	35.33	101.60
22	41.28	14.27	21.44	49.23	38.51	101.60

JW26482-I Series

MIL-DTL-26482-I Style Alternate Insert Positions

Insert Availability and Identification



View looking into front face of pin insert or rear of socket insert.

2648-I Insert Positions

Size	Contact Arrangement	Service Rating	Total Contacts	Contact Size			Alternate Insert Positions(Degree)			
				20	16	12	W	X	Y	Z
8	8-2	I	2	2			58	122		
	8-3	I	3	3			60	210		
	8-4	I	4	4			45			
	8-33	I	3	3			90			
10	10-6	I	6	6			90			
	10-7	I	7	7						
	10-98	I	6	6	3		90	180	240	270
12	12-3	II	3						180	
	12-8	I	8	8			90	112	203	292
	12-10	I	10	10			60	155	270	295
	12-12	I	12	12						
	12-14	I	14	14						
14	14-5	II	5		5		40	92	184	273
	14-12	I	12	8	4		43	90		
	14-15	I	15	14	1		17	110	155	234
	14-18	I	18	18			15	90	180	270
	14-19	I	19	19			30	165	315	
16	16-8	II	8		8		54	152	180	331
	16-23	I	23	22	1		158	270		
	16-26	I	26	26			60		275	338
	16-99	I	23	21	2		66	156	223	340
18	18-11	II	11		11		62	119	241	340
	18-32	I	32	32			85	138	222	265
20	20-16	II	16		16		238	318	333	347
	20-24	I	24	24			70	145	215	290
	20-39	I	39	37	2		83	144	252	333
	20-41	I	41	41		12	45	126	225	
22	22-12	I	12							
	22-32	I	32	32			72	145	215	288
	22-34	I	34	34			62	142	218	298
	22-41	I	41	27	14		39	135	264	
	22-55	I	55	55			30	142	226	314

JW26482-I Series

MIL-DTL-26482-I Style Contact Arrangements

	Shell Size 8				Shell Size 10			Shell Size 12				
Insert Arrangement												
Service Rating	8-2	8-3	8-4	8-33	10-6	10-7	10-98	12-3	12-8	12-10	12-12	12-14
Number of Contacts	2	3	4	3	6	7	6	3	8	10	12	14
Contact Size	20	20	20	20	20	20	20	16	20	20	20	20

	Shell Size 14					Shell Size 16
Insert Arrangement						
Service Rating	14-5	14-12	14-15	14-18	14-19	16-8
Number of Contacts	5	8	14	18	19	8
Contact Size	16	20	16	20	20	16

	Shell Size 16			Shell Size 18	
Insert Arrangement					
Service Rating	16-23	16-26	16-99	18-11	18-32
Number of Contacts	22	26	21	11	32
Contact Size	16	20	16	16	20

	Shell Size 20			
Insert Arrangement				
Service Rating	20-16	20-24	20-39	20-41
Number of Contacts	16	24	37	41
Contact Size	16	20	16	20

	Shell Size 22			
Insert Arrangement				
Service Rating	22-12	22-32	22-34	22-41
Number of Contacts	12	32	34	27
Contact Size	12	20	20	16

	Shell Size 22
Insert Arrangement	
Service Rating	22-55
Number of Contacts	55
Contact Size	20

1. View looking into front face of pin insert (+insulator).
2. Please make a direct inquiry for the information not contained in the table.
3. The contact arrangement in the table meets the MIL-STD-1651 standards.

Contact Legend



JW26482-II CONNECTOR

(MIL-DTL-26482-II Style)

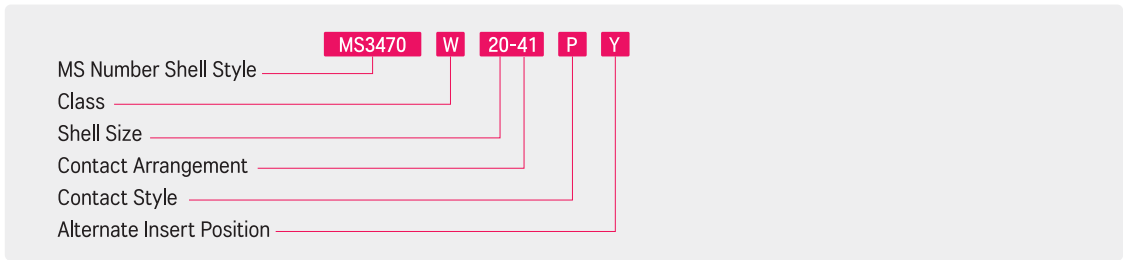


JW26482- II Series

MIL-DTL-26482-II Style

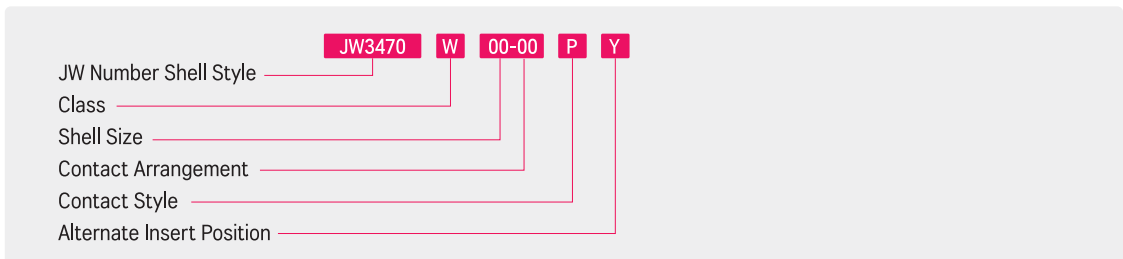
주문정보 Ordering Information

Military Nomenclature



- MS Number Shell Style**
 MS3470 - Narrow Flange Receptacle
 MS3471 - Cable Connecting Receptacle
 MS3472 - Wide Flange Receptacle
 MS3474 - Jam Nut Receptacle
 MS3475 - Straight Plug. RFI Shielded
 MS3476 - Straight Plug
- Class**
 A - Fluid Resistant, 200°C Non-Conductive (Anodized)
 L - Fluid Resistant, 200°C Conductive (Electroless Nickel Plate)
 W - Corrosive and Fluid Resistant, 175°C (Olive drab Cadmium over Nick Plate)
- Shell Size**
 8, 10, 12, 14, 16, 18, 20, 22, 24
- Contact Arrangement**
 MIL-STD-1669
- Contact Style**
 P - Pin
 S - Socket
- Alternate Insert Positions**
 N (Normal), W, X, Y, Z (MIL-STD-1669)

JAEWON Nomenclature

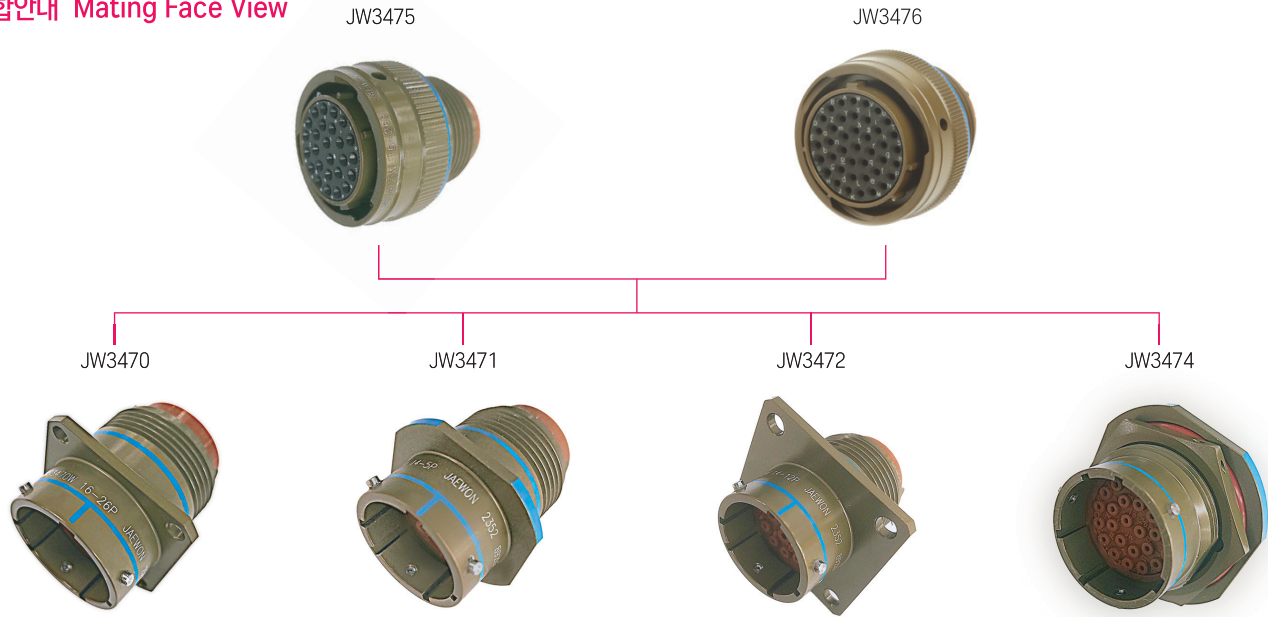


- JW Number Shell Style**
 JW3470 - Narrow Flange Receptacle
 JW3471 - Cable Connecting Receptacle
 JW3472 - Wide Flange Receptacle
 JW3474 - Jam Nut Receptacle
 JW3475 - Straight Plug. RFI Shielded
 JW3476 Straight Plug
- Class**
 A - Fluid Resistant, 200°C Non-Conductive (Anodized)
 L - Fluid Resistant, 200°C Conductive (Electroless Nickel Plate)
 W - Corrosive and Fluid Resistant, 175°C (Olive drab Cadmium over Nickel Plate)
- Shell Size**
 8, 10, 12, 14, 16, 18, 20, 22, 24
- Contact Arrangement**
 MIL-STD-1669
- Contact Style**
 P - Pin
 S - Socket
- Alternate Insert Positions**
 N (Normal), W, X, Y, Z (MIL-STD-1669) - see page 11

JW26482-II Series

MIL-DTL-26482-II Style

결합안내 Mating Face View



기술적 정보 Technical Data

표준 재질 및 보호피막 Standard Materials and Finishes

Description	Materials	Finishes
몸체, 연결너트, 잼 너트 Shell, Coupling Nut, Jam Nut	Aluminium alloy	Electroless nickel per MIL-L-26074 Anodized per MIL-A-8625 or olive drab cadmium, over Nickel or Zinc over Nickel
절연체 Insulators	Rigid Dielectric	-
가스켓 및 그로멧, 오링 Grommets, Interfacial and O-ring Seals	Silicone Rubber or Fluorosilicone Rubber	-
접점 contacts	Brass	Gold plate per MIL-G-45204

전기적 특성 Electrical Data

Contact size	AWG Wire size	Insulation O.D. Limits		Max Current For Test(amps)	Potential Drop (Millivolts at 25°C)
		Min.	Max.		
12	12	2.46	4.01	23	50
	14			17	45
16	16	1.53	2.62	13	50
	20			7.5	45
20	20	1.02	2.11	7.5	55
	24			3.0	45

Service Rating	Operating Voltage	Dielectric Withstanding Voltage (Test Voltage) AC(rms), 60cps			
	Max. AC(rms)	Sea Level	50,000(ft)	70,000(ft)	110,000(ft)
I	600	1500	500	375	200
II	1000	2300	750	500	200

사용온도범위 Operating Temperature Range	-55°C ~ +200°C
절연저항 Insulation Resistance	5,000MΩ Min. (at 25°C)
내구성 Durability	500 cycle, mate and unmate
방수등급 Waterproof Grade	IP67

JW26482-II Series

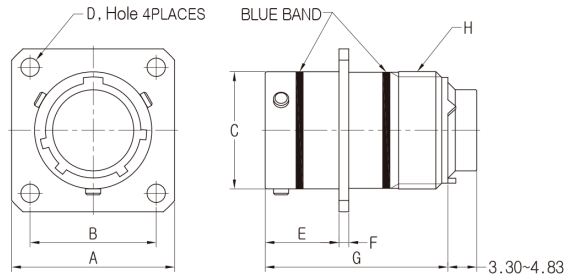
MIL-DTL-26482-II Style

JW3470

MS3470

Narrow Flange Mount Receptacle

Bayonet Type



UNIT: mm

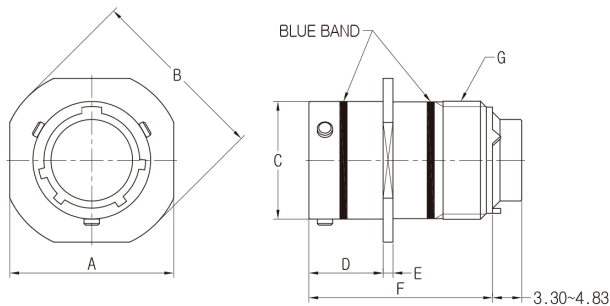
Shell Size	A Max.	B ±0.10	C Dia. ±0.00 -0.15	D Dia.	E	F	G Max.	H Thread. (Class : 2A)
8	21.03	15.08	12.04	3.05	10.95 ~ 11.73	1.17 ~ 1.98	30.86	1/2-20UNF
10	24.23	18.26	15.01	3.05	10.95 ~ 11.73	1.17 ~ 1.98	30.86	5/8-24UNEF
12	26.59	20.62	19.08	3.05	10.95 ~ 11.73	1.17 ~ 1.98	30.86	3/4-24UNEF
14	28.98	23.01	22.25	3.05	10.95 ~ 11.73	1.17 ~ 1.98	30.86	7/8-20UNEF
16	31.34	24.61	25.43	3.05	10.95 ~ 11.73	1.17 ~ 1.98	30.86	1-20UNEF
18	33.73	26.97	28.60	3.05	10.95 ~ 11.73	1.17 ~ 1.98	30.86	1 1/16-18UNEF
20	36.91	29.36	31.78	3.05	14.12 ~ 14.91	1.98 ~ 2.79	32.39	1 3/16-18UNEF
22	40.08	31.75	34.95	3.05	14.12 ~ 14.91	1.98 ~ 2.79	32.39	1 5/16-18UNEF
24	43.26	34.93	38.13	3.73	14.96 ~ 15.75	1.98 ~ 2.79	32.39	1 7/16-18UNEF

JW3471

MS3471

Cable Connecting Receptacle

Bayonet Type



UNIT: mm

Shell Size	A Max.	B Dia.	C Dia. ±0.00 -0.15	D	E	F Max.	H Thread. (Class : 2A)
8	21.03	23.33 ~ 24.33	12.04	10.95 ~ 11.73	1.17 ~ 1.98	30.86	1/2-20UNF
10	24.23	26.47 ~ 27.48	15.01	10.95 ~ 11.73	1.17 ~ 1.98	30.86	5/8-24UNEF
12	26.59	28.85 ~ 29.87	19.08	10.95 ~ 11.73	1.17 ~ 1.98	30.86	3/4-24UNEF
14	28.98	31.24 ~ 32.26	22.25	10.95 ~ 11.73	1.17 ~ 1.98	30.86	7/8-20UNEF
16	31.34	33.63 ~ 34.65	25.43	10.95 ~ 11.73	1.17 ~ 1.98	30.86	1-20UNEF
18	33.73	36.02 ~ 37.03	28.60	10.95 ~ 11.73	1.17 ~ 1.98	30.86	11/16-18UNEF
20	36.91	39.17 ~ 40.18	31.78	14.12 ~ 14.91	1.98 ~ 2.79	32.39	1 3/16-18UNEF
22	40.08	42.37 ~ 43.38	34.95	14.12 ~ 14.91	1.98 ~ 2.79	32.39	1 5/16-18UNEF
24	43.26	45.52 ~ 46.53	38.13	14.96 ~ 15.75	1.98 ~ 2.79	32.39	1 7/16-18UNEF

JW26482-II Series

MIL-DTL-26482-II Style

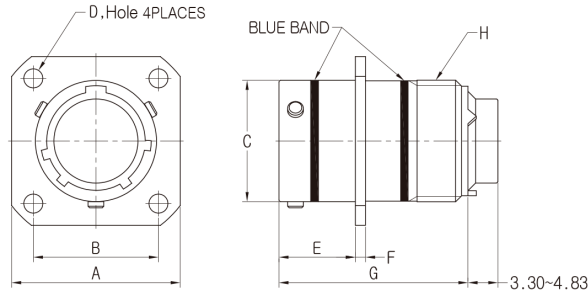
JW3472

MS3472

Wide Flange Mount Receptacle

Bayonet Type

“See page 66 for hole cutting dimensions”



UNIT: mm

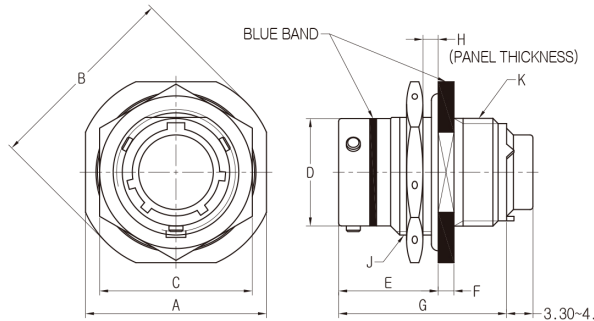
Shell Size	A Max.	B ±0.10	C Dia. ±0.00 -0.15	D Dia.	E	F	G Max.	H Thread. (Class : 2A)
8	27.05	18.64	12.04	3.81	11.73 ~ 12.52	1.17 ~ 1.98	30.86	1/2-20UNF
10	28.98	20.62	15.01	3.81	11.73 ~ 12.52	1.17 ~ 1.98	30.86	5/8-24UNEF
12	32.16	23.83	19.08	3.81	11.73 ~ 12.52	1.17 ~ 1.98	30.86	3/4-24UNEF
14	34.54	26.19	22.25	3.81	11.73-12.52	1.17 ~ 1.98	30.86	7/8-20UNEF
16	36.91	28.58	25.43	3.81	11.73 ~ 12.52	1.17 ~ 1.98	30.86	1-20UNEF
18	38.91	30.56	28.60	3.81	11.73 ~ 12.52	1.17 ~ 1.98	30.86	11/16-18UNEF
20	42.88	32.94	31.78	3.81	14.12 ~ 14.91	1.98 ~ 2.79	32.39	1 3/16-18UNEF
22	44.86	34.93	34.95	3.81	14.12 ~ 14.91	1.98 ~ 2.79	32.39	1 5/16-18UNEF
24	48.03	38.10	38.13	3.81	14.96 ~ 15.75	1.98 ~ 2.79	32.39	1 7/16-18UNEF

JW3474

MS3474

Jam Nut Receptacle

Bayonet Type



UNIT: mm

Shell Size	A Max.	B Dia.	C	D Dia. ±0.00 -0.15	E	F	G Max.	H	J Thread. (Class : 2A)	K Thread. (Class : 2A)
8	23.44 ~ 24.23	26.59 ~ 27.38	19.48	12.04	16.71 ~ 17.95	2.19 ~ 2.87	30.86	1.57 ~ 4.75	9/16-24UNEF	1/2-20UNF
10	26.59 ~ 27.38	29.77 ~ 30.56	22.66	15.01	16.71 ~ 17.95	2.19 ~ 2.87	30.86	1.57 ~ 4.75	11/16-24UNEF	5/8-24UNEF
12	31.37 ~ 32.16	34.54 ~ 35.33	27.41	19.08	16.71 ~ 17.95	2.19 ~ 2.87	30.86	1.57 ~ 4.75	7/8-20UNEF	3/4-24UNEF
14	34.54 ~ 35.33	37.72 ~ 38.58	30.61	22.25	16.71 ~ 17.95	2.19 ~ 2.87	30.86	1.57 ~ 4.75	1-20UNEF	7/8-20UNEF
16	37.72 ~ 38.51	40.89 ~ 41.68	33.76	25.43	16.71 ~ 17.95	2.19 ~ 2.87	30.86	1.57 ~ 4.75	1 1/8-18UNEF	1-20UNEF
18	40.89 ~ 41.68	44.07 ~ 44.86	36.96	28.60	16.71 ~ 17.95	2.19 ~ 2.87	30.86	1.57 ~ 4.75	1 1/4-18UNEF	1 1/16-18UNEF
20	45.64 ~ 46.43	48.84 ~ 49.63	40.11	31.78	18.31 ~ 19.61	2.44 ~ 3.76	32.39	1.57 ~ 6.35	1 3/8-18UNEF	1 3/16-18UNEF
22	48.84 ~ 49.63	51.99 ~ 52.78	43.81	34.95	18.31 ~ 19.61	2.44 ~ 3.76	32.39	1.57 ~ 6.35	1 1/2-18UNEF	1 5/16-18UNEF
24	51.99 ~ 52.78	55.17 ~ 55.96	46.46	38.13	18.31 ~ 19.61	2.44 ~ 3.76	32.39	1.57 ~ 6.35	1 5/8-18UNEF	1 7/16-18UNEF

JW26482- II Series

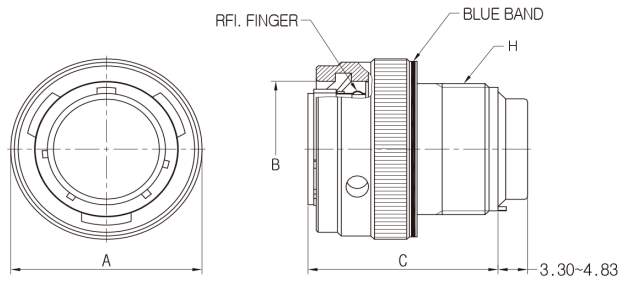
MIL-DTL-26482-II Style

JW3475

MS3475 (RFI Ground finger type)

Straight Plug, RFI Shielded

Bayonet Type



UNIT: mm

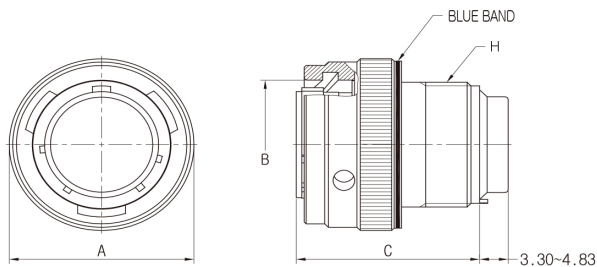
Shell Size	A Dia. Max.	B Dia.	C Max.	H Thread. (Class : 2A)
8	19.86	12.19 ~ 12.34	31.24	1/2-20UNF
10	23.52	15.27 ~ 15.42	31.24	5/8-24UNEF
12	26.49	19.30 ~ 19.46	31.24	3/4-24UNEF
14	30.04	22.45 ~ 22.61	31.24	7/8-20UNEF
16	33.15	25.63 ~ 25.78	31.24	1-20UNEF
18	35.33	28.83 ~ 28.98	31.24	1 1/16-18UNEF
20	38.89	31.98 ~ 32.13	31.24	1 3/16-18UNEF
22	42.06	35.15 ~ 35.31	31.24	1 5/16-18UNEF
24	45.14	38.33 ~ 38.48	31.24	1 7/16-18UNEF

JW3476

MS3476

Straight Plug

Bayonet Type



UNIT: mm

Shell Size	A Dia. Max.	B Dia.	C Max.	H Thread. (Class : 2A)
8	19.86	12.19 ~ 12.34	31.24	1/2-20UNF
10	23.52	15.27 ~ 15.42	31.24	5/8-24UNEF
12	26.49	19.30 ~ 19.46	31.24	3/4-24UNEF
14	30.04	22.45 ~ 22.61	31.24	7/8-20UNEF
16	33.15	25.63 ~ 25.78	31.24	1-20UNEF
18	35.33	28.83 ~ 28.98	31.24	1 1/16-18UNEF
20	38.89	31.98 ~ 32.13	31.24	1 3/16-18UNEF
22	42.06	35.15 ~ 35.31	31.24	1 5/16-18UNEF
24	45.14	38.33 ~ 38.48	31.24	1 7/16-18UNEF

JW26482-II Series

MIL-DTL-26482-II Style

Sealing Plug



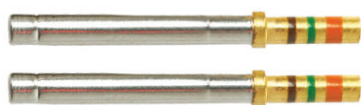
Contact size	MS Part Number
20	MS27488-20
16	MS27488-16
12	MS27488-12

Insertion / Removal Tools



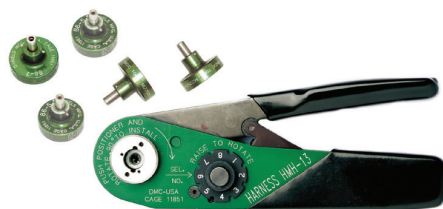
Contact size	MS Part Number
20	M81969/14-11
16	M81969/14-03
12	M81969/14-04

Contacts



Contact size	Wire Range		Pin Contact MS Part Number	Socket Contact MS Part Number
	AWG	mm ²		
20	20 ~ 24	0.2 ~ 0.6	M39029/4-110	M39029/5-115
16	16 ~ 20	0.5 ~ 1.4	M39029/4-111	M39029/5-116
12	12 ~ 14	2.0 ~ 3.0	M39029/4-113	M39029/5-118

Crimping Tools

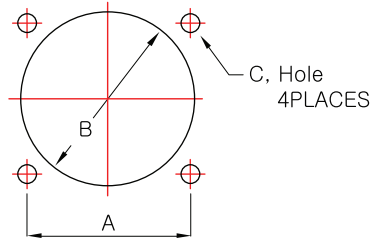


Contact size	Wire Range		Finished Wire Dia. Range		Crimping tool Part Number	Turret or Positioner Part Number
	AWG	mm ²	Inch	mm		
20	20 ~ 24	0.2 ~ 0.6	.040 ~ .083	1.02 ~ 2.11	M22520/1-01 or M22520/2-01	M22520/1-01 or M22520/2-01
16	16 ~ 20	0.5 ~ 1.4	.053 ~ .103	1.34 ~ 2.62	M22520/1-01	M22520/1-02
12	12 ~ 14	2.0 ~ 3.0	.097 ~ .158	2.46 ~ 4.01	M22520/1-01	M22520/1-02

JW26482- II Series

MIL-DTL-26482- II Style Panel Cutouts

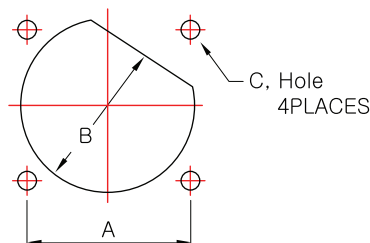
Mounting Receptacle



UNIT: mm

Shell Size	Narrow Flange Mounting			Wide Flange Mounting		
	A	B Dia.	C Dia.	A ±0.10	B Dia.	C Dia.
8	14.96 ~ 15.21	14.30 ~ 14.55	2.79 ~ 3.30	18.64	14.30 ~ 14.55	3.56 ~ 4.06
10	18.14 ~ 18.39	17.27 ~ 17.53	2.79 ~ 3.30	20.62	17.27 ~ 17.53	3.56 ~ 4.06
12	20.50 ~ 20.75	21.82 ~ 22.07	2.79 ~ 3.30	23.83	21.82 ~ 22.07	3.56 ~ 4.06
14	22.89 ~ 23.14	24.99 ~ 25.25	2.79~3.30	26.19	24.99 ~ 25.25	3.56 ~ 4.06
16	24.49 ~ 24.74	28.14 ~ 28.40	2.79 ~ 3.30	28.58	28.14 ~ 28.40	3.56 ~ 4.06
18	26.85 ~ 27.10	31.32 ~ 31.57	2.79 ~ 3.30	30.56	31.32 ~ 31.57	3.56 ~ 4.06
20	29.24 ~ 29.49	34.49 ~ 34.75	2.79 ~ 3.30	32.94	34.49 ~ 34.75	3.56 ~ 4.06
22	31.62 ~ 31.88	37.67 ~ 37.92	2.79 ~ 3.30	34.93	37.67 ~ 37.92	3.56 ~ 4.06
24	34.80 ~ 35.05	40.89 ~ 41.15	3.48 ~ 3.99	38.10	40.89 ~ 41.15	3.56 ~ 4.06

Jam Nut Receptacle



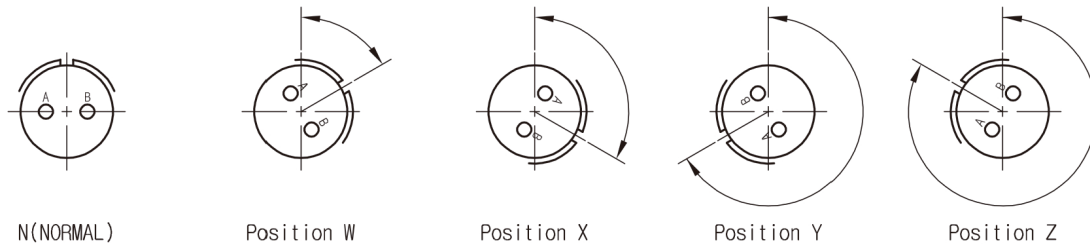
UNIT: mm

Shell Size	A Dia. ±0.13	B ±0.13
8	14.53	13.61
10	17.70	16.79
12	22.73	20.93
14	25.65	24.08
16	28.33	27.23
18	32.00	30.40
20	35.18	33.58
22	38.35	36.75
24	41.53	39.93

JW26482-II Series

MIL-DTL-26482-II Style Alternate Insert Positions

Insert Availability and Identification



View looking into front face of pin insert or rear of socket insert.

26482-II Insert Positions

Size	Contact Arrangement	Service Rating	Total Contacts	Contact Size			Alternate Insert Positions(Degree)			
				20	16	12	W	X	Y	Z
8	8-3	I	3	3			60	210		
	8-4	I	4	4			45			
	8-33	I	3	3			90			
	8-98	I	3	3						
10	10-6	I	6	6			90			
12	12-3	II	3	3					180	
	12-8	I	8	8			90	112	203	292
	12-10	I	10	10			60	155	270	295
14	14-4	I	4			4	45			
	14-5	II	5		5		40	92	184	273
	14-12	I	12	8	4		43	90		
	14-15	I	15	14			17	110	155	234
	14-18	I	18	18			15	90	180	270
	14-19	I	19	19			30	165	315	
16	16-8	II	8		8		54	78	180	240
	16-23	I	23	22			158	270		
	16-26	I	26	26			60		275	338
	16-99	I	23	21	2		66	156	223	340
18	18-8	I	8			8	180			
	18-11	II	11		11		62	119	241	340
	18-30	I	30	29	1		180	193	285	350
	18-32	I	32	32			85	138	222	265
20	20-16	II	16		16		238	318	333	347
	20-24	I	24	24			70	145	215	290
	20-39	I	39	37	2		63	144	252	333
	20-41	I	41	41		12	45	126	225	
22	22-12	I	12							
	22-21	II	21		21		16	135	175	349
	22-41	I	41	27	14		39	135	264	
	22-55	I	55	55		19	30	142	226	314
	24-19	I	19				30	165	315	
	24-31	I	31		31		90	225	255	
	24-61	I	61	61			90	180	270	324

※ Please refer to MIL-STD-1669 for contact Arrangement other than the ones in the table.

JW26482- II Series

MIL-DTL-26482- II Style Contact Arrangements

	Shell Size 8	Shell Size 10	Shell Size 12							
Insert Arrangement										
Service Rating	8-3 8-4 8-33 8-98	10-6	12-3 12-8 12-10							
Number of Contacts	3 4 4 3	6	3 8 10							
Contact Size	20 20 20 20	20	16 20 20							
	Shell Size 14									
Insert Arrangement										
Service Rating	14-4	14-5	14-12	14-15	14-18	14-19				
Number of Contacts	4	5	8 4	14 1	18	19				
Contact Size	12	16	20 16	20 16	20	20				
	Shell Size 16		Shell Size 18							
Insert Arrangement										
Service Rating	16-8	16-23	16-26	16-99	18-8					
Number of Contacts	8	21 1	26	21 2	8					
Contact Size	16	20 16	20	20 16	12					
	Shell Size 18		Shell Size 20							
Insert Arrangement										
Service Rating	18-11	18-30	18-32	20-16	20-24	20-39	20-41			
Number of Contacts	11	29 1	32	16	24	37 2	41			
Contact Size	16	20 16	20	16	20	20 16	20			
	Shell Size 22									
Insert Arrangement										
Service Rating	22-12	22-21	22-41	22-55						
Number of Contacts	12	21	27 14	55						
Contact Size	12	16	20 16	20						
	Shell Size 24									
Insert Arrangement										
Service Rating	24-19	24-31	24-61							
Number of Contacts	19	31	61							
Contact Size	12	16	20							

1. View looking into front face of pin insert (+insulator).
2. Please make a direct inquiry for the information not contained in the table.
3. The contact arrangement in the table meets the MIL-STD-1651 standards.

Contact Legend 12 16 20



JWD38999-III, IV CONNECTOR

(MIL-DTL-38999-III, IV Style)



JWD38999-III, IV Series

MIL-DTL-38999-III, IV Style

주문정보 Ordering Information

Characteristic

- Corrosion-resistant shells of aluminium alloy with cadmium over nickel plating withstand a 500 hours salt spray exposure
- Rear release crimp snap-in contacts
- High contact density
- Standard MIL-C-39029 contacts, MIL-I-81969 application tools and MIL-STD-1560 insert arrangements
- Special/custom capabilities
- 100% Scoop-proof - Series III and IV
- Operated under severe high temperature vibration testing through 200°C - engineered for high density circuitry - Series III, IV
- Interfacial seal helps prevent electrolytic erosion of contacts - Series III, IV
- Superior EMI shielding provides outstanding protection up to 65dB at 1.0 GHz. - Series III, IV

Specification Comparison

Design	Series I	Series III	Series IV
Low profile/Light Weight	no	no	no
Scoop proof	yes	yes	yes
Coupling System	Bayonet	Triple Lead Thread	breech
Electrolytic Erosion	no	yes	yes
Durability(Cycles)	500	500	500
High Impact Shock	yes	yes	yes
External Bending Moment Shell Size 25	650 in/lbs	1000 in/lbs	1000 in/lbs
Random Vibration "J"	Ambient	492°F	492°F
Sine Vibration	30G, Ambient	60G, -65°C to +200°C	60G, -65°C to +200°C
Sand, Dust, Ice	yes	yes	yes
Shell Size	9-25	9-25	11-25

Contact Rating

Contact Size	Test Current DC Test Amperage	Maximum Millivolt Drop*	Crimp Well Data	
			Well Diameter	Well Depth
22D	5	40	0.876 ±0.025	3.988/3.581
22M**	3	30	0.711 ±0.025	3.988/3.581
22*	5	40	0.927 ±0.025	3.988/3.581
20	7.5	35	1.194 ±0.025	5.817/5.309
16	13	25	1.702 ±0.025	5.817 /5.309
12	23	25	2.540 ±0.051	5.817/5.309

* Maximum millivolt drop data is determined by measuring resistance of mated contacts from end to end

** For reference only

재질 Material

Performance and Material Specification

Performance and Material Specification

Design	Series I	Series III
Shell	Aluminum alloy	Aluminum alloy*
Insulator	High grade plastic	High grade plastic
Contacts	Copper alloy, gold plate	Brass, gold plate
Grommet and Seal	Silicone bass elastomer	Silicone bass elastomer
Jam Nut	Aluminum alloy	-
Coupling	-	Aluminum alloy
Grounding Spring	-	Beryllium copper

* Finish as noted in how to order sections.

Electrical Data

Wire Size	Contact Size and Test Amps						
	22D	22M*	22*	20	16	12	10
28	1.5	1.5	-	-	-	-	-
26	2.0	2.0	2.0	-	-	-	-
24	3.0	3.0	3.0	3.0	-	-	-
22	5.0	-	5.0	5.0	-	-	-
20	-	-	-	7.5	7.5	-	-
18	-	-	-	-	10.0	-	-
16	-	-	-	-	13.0	-	-
14	-	-	-	-	-	17.0	-
12	-	-	-	-	-	23.0	-
10	-	-	-	-	-	23.0	33.0

* For reference only

Service Rating	Service Rating							
	Service Rating M		Service Rating N		Service Rating I		Service Rating II	
	Mated	Unmated	Mated	Unmated	Mated	Unmated	Mated	Unmated
Sea Level	1300	1300	1000	1000	1800	1800	2300	2300
50,000ft.	800	550	600	400	1000	600	1000	800
70,000ft.	800	350	600	260	1000	400	1000	500
100,000ft.	800	200	600	200	1000	200	1000	200

Test voltage, AC(rms)

Test Data

Test Description	Parameters
Durability	500 cycles of mating and unmating
Temperature Range	Class A : -65°C(-86°F) to +150°C(+302°F) Class F : -65°C(-86°F) to +200°C(+392°F) Class W : -65°C(-86°F) to +175°C(+347°F)
Vibration	Mated connectors are vibrated with weights to simulate rear accessory loads to the following levels : Sine Vibration: Up to 60 G's - Series III & IV (at rated temperature - Series III, IV) Random Vibration : 43.7 Grms at Rated Temperature - Series III, IV 49.5 Grms at Ambient Temperature - Series III & IV
EMI Shielding Effectiveness	Class F : EMI leakage attenuation, greater than 90dB at 1 00Mhz, greater than 65dB at 1 0Ghz. Shell to shell conductivity, 1.0 mIlli volt max. resistance. Class W : EMI leakage attenuation, greater than 90dB at 1 00Mhz, greater than 50dB at 1 0Ghz. Shell to shell conductivity, 2.5 mIlli volt max.
Corrosion Resistant	Class A, F : withstand 48 hours salt spray. Class W : withstand 500 hours salt spray.
Fluid Immersion	Connectors are fluid resistant to many fuels, solvents, oolants and oils.
High Impact Shock	Mated conectors terminated with MIL-C-915 cable and environmentally sealed backshells will withstand high impact shock per MIL-S-901. Applicable to Series III & IV only.
Altitude	Designed to operate between sea level and 100,000 ft. above sea level.

NOTE : For hermetic standard or test data please consult JAEWON

JWD38999-III, IV Series

MIL-DTL-38999-III, IV Style

접점사양 Contact Part

Contact Part Number Cross Reference

Contact Style	Contact Size	Military Part Number
PIN	22D	M39029/58-360
	22M	M39029/58-361
	22	M39029/58-362
	20	M39029/58-363
	16	M39029/58-364
	12	M39029/58-365
	10	M39029/58-528
	12COAX	M39029/28-211*
	8TWINAX	M39029/90-529**
	8 COAX***	M39029/60-367
SOCKET	22D	M39029/56-348
	22M	M39029/56-349
	22	M39029/56-350
	20	M39029/56-351
	16	M39029/56-352
	12	M39029/56-353
	10	M39029/56-527
	12COAX	M39029/75-416*
	8TWINAX	M39029/91-530**
	8 COAX***	M39029/59-366

* Recommended use with RG174, RG179 and RG316 cable.
 ** Recommended use with M17 /176-00002 cable.
 ***For use with RG 180B/U and RG 195A/U cable.

Seal Plugs

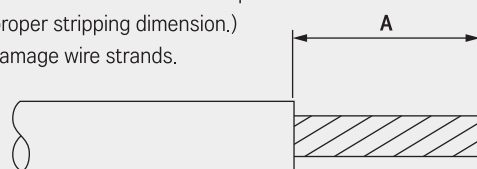
Size	Military Part Number
22D, 22M, 22	M27488-22
20	M27488-20
16	M27488-16
12	M27488-12

Wire Size and Diameters

Contact Size	Wire Size (AWG)	Finished wire outside dimensions	
		Minimum	Maximum
22D	28, 26, 24, 22	0.762	1.372
22M*	28, 26, 24	0.762	1.270
22*	26, 24, 22	0.864	1.524
20	24, 22, 20	1.016	2.108
16	20, 18, 16	1.651	2.769
12	14, 12	2.464	3.607
12COAX	RG-174, 179,316	2.388	2.591
8TWINAX	M17/95-RG-180	3.454	3.708
8COAX	M17 /176-00002	3.150	3.404

Wire Stripping

strip insulation from end of wire to be crimped.
 (see table for proper stripping dimension.)
 Do not cut or damage wire strands.



Wire Size	A
22D OR 22M*	3.18
20	4.77
16	4.77
12	4.77

* For reference only

장비 Tools

Tools - Crimp

Contact Size	Pin Contact Series III,IV		Socket Contact Series III,IV	
	Crimp Tool Part Number ¹	Locator or Turret Part Number	Crimp Tool Part Number ¹	Locator or Turret Part Number
220 or22M*	M22520/2-01	M22520/2-09	M22520/2-01	M22520/2-07
22*	M22520/2-01	M22520/2-09	M22520/2-01	M22520/2-07
20	M22520/1-01	M22520/1-04 OR TH 187	M22520/1-01	M22520/1-04
16	M22520/1-01	M22520/1-04 OR TH 187	M22520/1-01	M22520/1-04
12	M22520/1-01	M22520/1-04	M22520/1-01	M22520/1-04
8 Coax Inner Conductor	Crimp Tool	Crimp Tool Locator	Crimp Tool	Crimp Tool Locator
RG-180	M22520/2-01	995-002-268-268	M22520/2-501	M22520/2-5-39B
RG-174, 179,310	M22520/2-01	995-002-268-268	M22520/2-501	M22520/2-5-37B
RG-142	M22520/2-01	995-002-268-268	M22520/2-501	M22520/2-5-19B
12 Coax Inner Conductor	Crimp Tool	Crimp Tool Locator	Crimp Tool	Crimp Tool Locator
RG-174, 316	M22520/2-01	M22520/2-34	M22520/31-01	M22520/31-02
8 Twinax	Crimp Tool	Crimp Tool Locator		
Center Contact	M22520/2-01	M22520/2-37		
Intermediate Contact	M22520/5-01	M22520/5-200		
Outer Contact	M22520/5-01	M22520/5-200		

* For reference only

Insertion Tools

Plastic Tool			Metal Tool (Angle Type)		
Contact Size	MS Part Number	Color Code	Contact Size	MS Part Number	Color Code
22D, 22M*	M81969/14-01	Green/(White)	22D, 22M*	M81969/8-01	Black
22	M81969/14-09	Brown/(White)	22	M81969/8-03	Brown
20	M81969/14-10	Red/(Orange)	20	M81969/8-05	Red
16	M81969/14-03	Blue/(White)	16	M81969/8-07	Blue
12	M81969/14-04	Yellow/(White)	12	M81969/8-09	Yellow
10 (Power)	MS1969/14-05	Gray/White	10 (Power)	M81969/8-11	Green
12 Coax	MS1969/14-04	Yellow/(White)	12 Coax	M81969/8-09	Yellow
8Coax	-	-	8 Coax	-	-
8Twinax	-	-	8 Twinax	M81969/46-06	Red

* For reference only

Removal Tools

Plastic Tool			Metal Tool (Angle Type)		
Contact Size	MS Part Number	Color Code	Contact Size	MS Part Number	Color Code
22D, 22M*	M81969/14-01	Green/(White)	22D, 22M*	M81969/8-02	Green/White
22	MS1969/14-09	Brown/(White)	22	M81969/8-04	Yellow/White
20	M81969/14-10	Red/(Orange)	20	M81969/8-06	Blue/White
16	MS1969/14-03	Blue/(White)	16	M81969/8-08	Red/White
12	M81969/14-04	Yellow/(White)	12	M81969/8-10	Brown/White
10 (Power)	M81969/14-05	Gray/White	10 (Power)	M81969/8-12	Green/White
12 Coax	MS1969/14-04	Yellow/(White)	12 Coax	M81969/8-10	Brown/White
8Coax	M81969/14-12	Green	8 Coax	-	N/A
8Twinax	M81969/14-12	Green	8Twinax	M81969/46-12	N/A

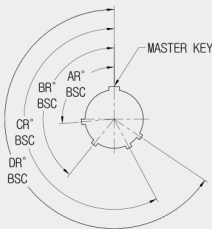
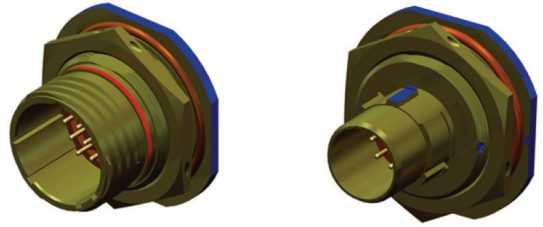
* For reference only

JWD38999-III, IV Series

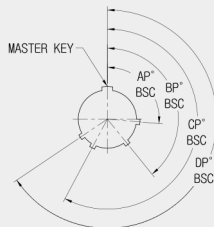
MIL-DTL-38999-III, IV Style

키정렬 Polarizing Positions

Series III



Receptacle
(Front face shown)



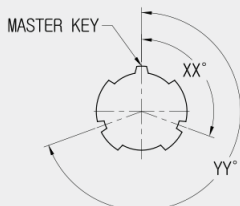
Plug
(Front face shown)

Note

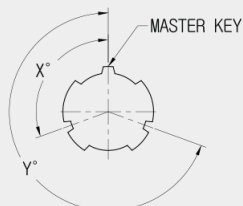
1. All Angles are BSC
2. The insert arrangement does not rotate with main key/key way
3. All minor keys are rotated to provide shell polarization, the master key remains fixed at twelve o'clock position.
4. Polarization is different from series I.

Shell Size	Key & Keyway Arrangement Identification Letter	Key Locations			
		AR° or AP° BSC	BR° or BP° BSC	CR° or CP° BSC	DR° or DP° BSC
9	N	105	140	215	265
	A	102	132	248	320
	B	80	118	230	312
	C	35	140	205	275
	D	64	155	234	304
11 and 13 and 15	E	91	131	197	240
	N	95	141	208	236
	A	113	156	182	292
	B	90	145	195	252
	C	53	156	220	255
17 and 19	D	119	146	176	298
	E	51	141	184	242
	N	80	142	196	293
	A	135	170	200	310
	B	49	169	200	244
21 and 23 and 25	C	66	140	200	257
	D	62	145	180	280
	E	79	153	197	272
	N	80	142	196	293
	A	135	170	200	310
23 and 25	B	49	169	200	244
	C	66	140	200	257
	D	62	145	180	280
	E	79	153	197	272
	N	80	142	196	293

Series IV



Receptacle
(Front face shown)



Plug
(Front face shown)

Note

1. All Angles are BSC
2. The insert arrangement does not rotate with main key/key way
3. All minor keys are rotated to provide shell polarization, the master key remains fixed at twelve o'clock position.
4. Polarization is different from series I.

Shell Size	Key & Keyway Arrangement Identification Letter	Key Locations	
		X° or XX°	Y° or YY°
11	N	110	250
13	A	100	260
15	B	90	270
17	C	80	280
21	D	70	290
19 and 23	L	120	265
	M	120	275
	R	120	285
	U	0	0

키정렬 Polarizing Positions



Series III & IV	Service Rating	Total Contacts	Contact Size							
			22D	22M	22	20	16	12	8	
9-35	M	6	6							
9-44	M	4			4					
9-98		4				3				
11-4		4				4				
11-5		5				5				
11-35	M	13	13							
11-98		6				6				
11-99		7				7				
13-4		4						4		
13-8		8				8				
13-22	M	22		22						
13-35	M	22	22							
13-98		10				10				
15-5	II	5						5		
15-15		15				14				
15-18		18				18				
15-19		19				19				
15-35	M	37	37							
15-97		12				8	4			
17-6		6							6	
17-8	II	8					8			
17-26		26				26				
17-35	M	55	55							
17-99		23				21	2			
19-11	II	11					11			
19-32		32				32				
19-35	M	66	66							
21-11		11							11	
21-16	II	16					16			
21-35	M	79	79							
21-39		39				37	2			
21-41		41				41				
23-35	M	100	100							
23-53		53				53				
23-55		55				55				
25-4		56				48	8			
25-19		19							19	
25-35	M	128	128							
25-37		37					37			
25-43		43				23	20			
25-46	I. Twinax	46				40	4			2*
25-61		61				61				

* Twinax for M17 / 176-00002 cables (check factory for other cable applications)

JWD38999-III, IV Series

MIL-DTL-38999-III, IV Style Contact Arrangements

	Shell Size 9			Shell Size 11		
Insert Arrangement						
Service Rating	M	M	I	I	I	M
Number of Contacts	6	4	3	4	5	13
Contact Size	22D	22	20	20	20	22D

	Shell Size 11		Shell Size 13		
Insert Arrangement					
Service Rating	I	I	I	I	M
Number of Contacts	6	7	4	8	22
Contact Size	20	20	16	20	22M

	Shell Size 13		Shell Size 15		
Insert Arrangement					
Service Rating	M	I	I	I	I
Number of Contacts	22	10	5	14	18
Contact Size	22D	20	16	20 16	20

	Shell Size 15			Shell Size 17
Insert Arrangement				
Service Rating	I	M	I	I
Number of Contacts	19	37	8 4	6
Contact Size	20	22D	20 16	12

	Shell Size 17			
Insert Arrangement				
Service Rating	I	I	M	I
Number of Contacts	8	26	55	21 2
Contact Size	16	20	22D	20 16

1. View looking into front face of pin insert (+insulator).
2. Please make a direct inquiry for the information not contained in the table.
3. The contact arrangement in the table meets the MIL-STD-1651 standards.

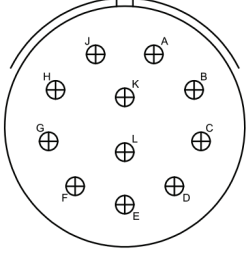
Contact Legend

8 10 12 16 20 22 22M 22D

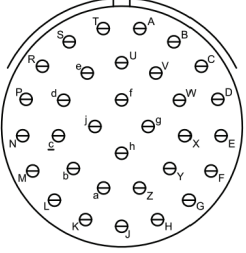
JWD38999-III, IV Series

MIL-DTL-38999-III, IV Style Contact Arrangements

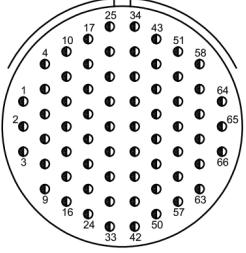
Shell Size 19



19-11
II
11
16



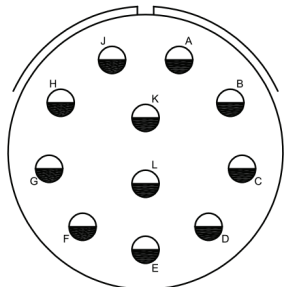
19-32
I
32
20



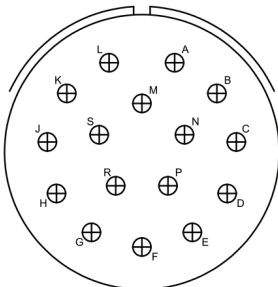
19-35
M
66
22D

Insert Arrangement
Service Rating
Number of Contacts
Contact Size

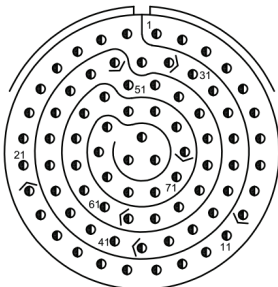
Shell Size 21



21-11
I
11
12



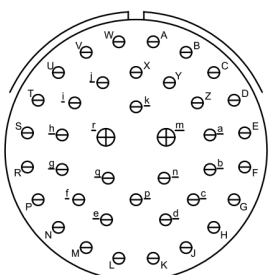
21-16
II
16
16



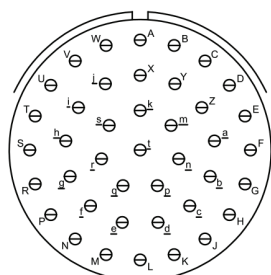
21-35
M
79
22D

Insert Arrangement
Service Rating
Number of Contacts
Contact Size

Shell Size 21



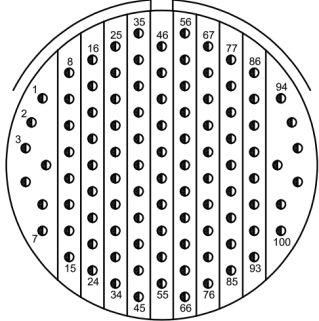
21-39
I
37
20 2
16



21-41
I
41
20

Insert Arrangement
Service Rating
Number of Contacts
Contact Size

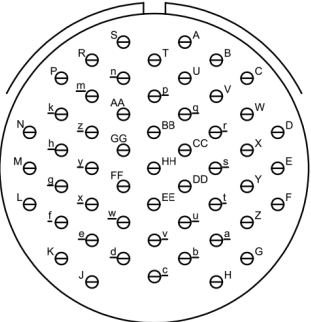
Shell Size 23



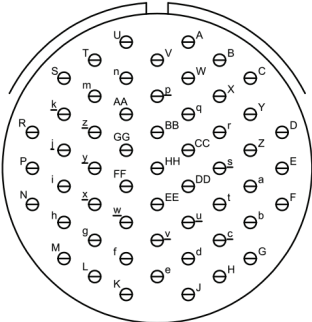
23-35
M
100
22D

Insert Arrangement
Service Rating
Number of Contacts
Contact Size

Shell Size 23



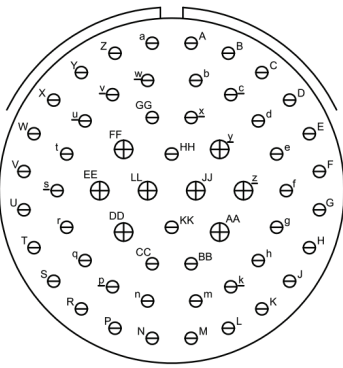
23-53
I
53
20



23-55
I
55
20

Insert Arrangement
Service Rating
Number of Contacts
Contact Size

Shell Size 25



25-4
I
48
20 8
16

Insert Arrangement
Service Rating
Number of Contacts
Contact Size

1. View looking into front face of pin insert (+insulator).
2. Please make a direct inquiry for the information not contained in the table.
3. The contact arrangement in the table meets the MIL-STD-1651 standards.

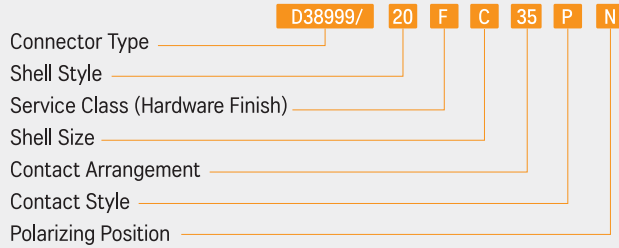


JWD38999-III, IV Series

MIL-DTL-38999-III Style

주문정보 Ordering Information

Military Nomenclature



• Connector Type

D38999/- MIL-DTL-38999 Series III

• Shell Style

D38999/20 - Wall mount receptacle
 D38999/24 - Jam nut receptacle
 D38999/26 - Straight Plug, Grounded

• Hardware Finish

F - Electroless nickel coating, -65°C to +200°C
 (-85°F to 392°F)
 W - Olive drab cadmium over electroless nickel plate.
 -65°C to +175°C (-85°F to +347°F)

• Shell Size

Shell Size Code	A	B	C	D	E	F	G	H	J
Shell Size	9	11	13	15	17	19	21	23	25

• Contact Arrangement

MIL-STD-1560A

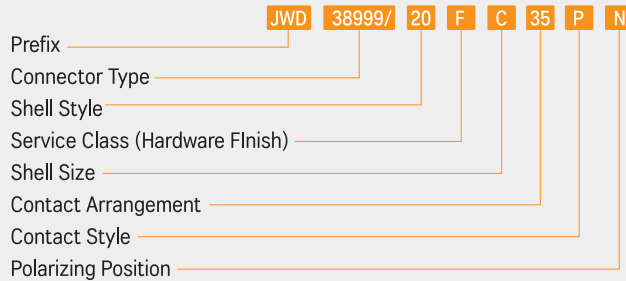
• Contact Style

P- Pin
 S- Socket
 A- Less Pin Contact*
 B- Less Socket Contact*
 *Used only when other than power contacts are to be installed(i.e., shielded, thermocouple, etc.)

• Polarizing Position

N(normal), A, B, C, D, E
 Note : To order MS connectors less standard power contacts, purchase order must state "Less Contacts"

JAEWON Nomenclature



• Prefix

JW - JAEWON

• Connector Type

D38999/- MIL-DTL-38999 Series III

• Shell Style

38999/20 - Wall mount receptacle
 38999/24 - Jam nut receptacle
 38999/26 - Straight Plug, Grounded

• Hardware Finish

F - Electroless nickel coating, -65°C to +200°C
 (-85°F to 392°F)
 W - Olive drab cadmium over electroless nickel plate.
 -65°C to +175°C (-85°F to +347°F)

• Shell Size

Shell Size Code	A	B	C	D	E	F	G	H	J
Shell Size	9	11	13	15	17	19	21	23	25

• Contact Arrangement

MIL-STD-1560A

• Contact Style

P- Pin
 S- Socket
 A- Less Pin Contact*
 B- Less Socket Contact*
 *Used only when other than power contacts are to be installed (i.e., shielded, thermocouple, etc.)

• Polarizing Position

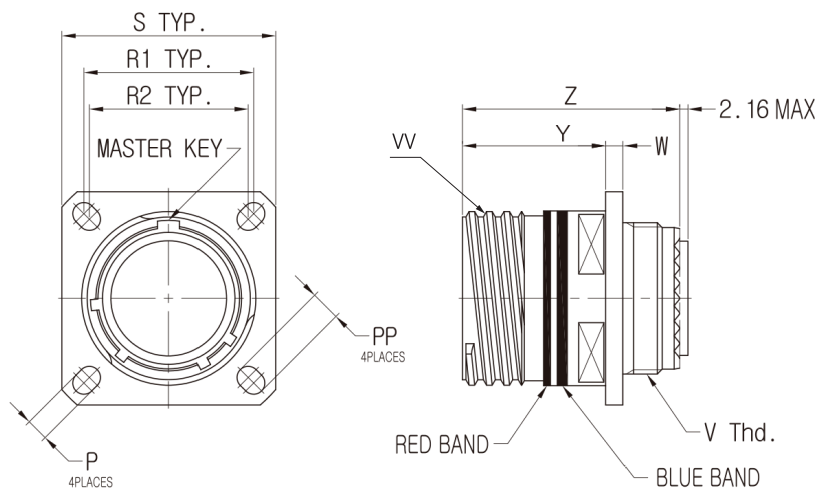
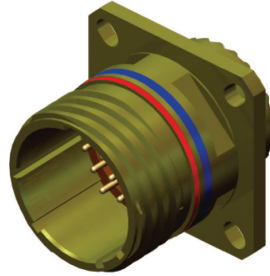
N(normal), A, B, C, D, E

JWD38999-III Series

MIL-DTL-38999-III Style

JWD38999/20 Classes “F”, “W”

Square Flange Receptacle (D38999/20)



UNIT: mm

Shell Size	Shell Size Code	P ±0.20	PP ±0.20	R1	R2	S ±0.3	Y +0.00 -0.13	W Max./Min.	Z Max.	V THD.	VV (Class : 2A) THD.
9	A	3.25	5.49	18.26	15.09	23.8	20.83	2.5/2.1	31.5	M12x1.0-6g 0.1R	.6250-0.1P-0.3L-TS
11	B	3.25	4.93	20.62	18.26	26.2	20.83	2.5/2.1	31.5	M15x1.0-6g 0.1R	.7500-0.1P-0.3L-TS
13	C	3.25	4.93	23.01	20.62	28.6	20.83	2.5/2.1	31.5	M18x1.0-6g 0.1R	.8750-0.1P-0.3L-TS
15	D	3.25	4.93	24.61	23.01	31.0	20.83	2.5/2.1	31.5	M22x1.0-6g 0.1R	1.0000-0.1P-0.3L-TS
17	E	3.25	4.93	26.97	24.61	33.3	20.83	2.5/2.1	31.5	M25x1.0-6g 0.1R	1.1875-0.1P-0.3L-TS
19	F	3.25	4.93	29.36	26.97	36.5	20.83	2.5/2.1	31.5	M28x1.0-6g 0.1R	1.2500-0.1P-0.3L-TS
21	G	3.25	4.93	31.75	29.36	39.7	20.07	3.2/2.1	31.5	M31x1.0-6g 0.1R	1.3750-0.1P-0.3L-TS
23	H	3.91	6.15	34.93	31.75	42.9	20.07	3.2/2.1	31.5	M34x1.0-6g 0.1R	1.5000-0.1P-0.3L-TS
25	J	3.91	6.15	38.10	34.93	46.0	20.07	3.2/2.1	31.5	M37x1.0-6g 0.1R	1.6250-0.1P-0.3L-TS

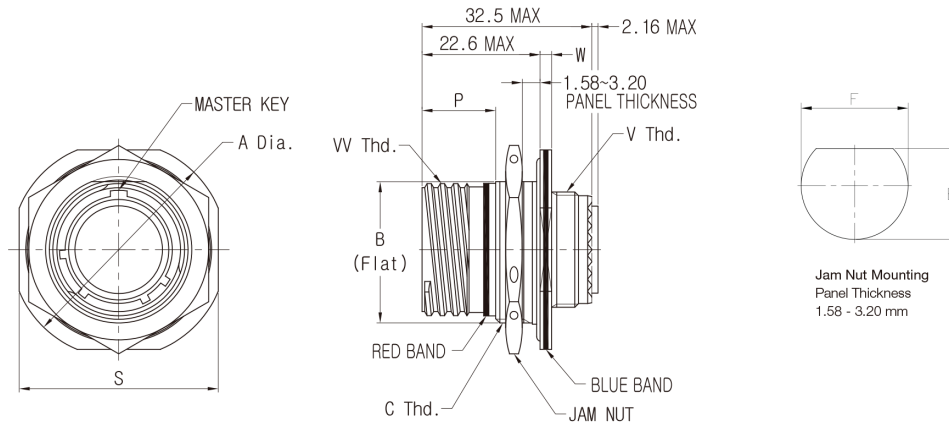
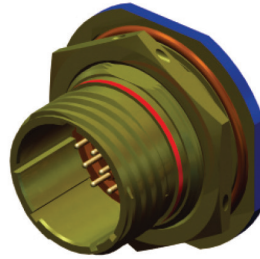
Note : Dimensions are in millimeters. Inch equivalents are in parentheses (given for general information only.)
R2 dimension may be substituted for mounting screw locations (R1) or front mount cutouts

JWD38999-III, IV Series

MIL-DTL-38999-III Style

JWD38999/24 Classes "F", "W"

Jam Nut Receptacle (D38999/24)



UNIT: mm

Shell Size	Shell Size Code	A Dia. ±0.3	B flat +0.10 -0.15	C THD.	P +0.6 -0.0	S ±0.4	W +0.9 -0.1	V THD.	VV (Class : 2A) THD.	O-Ring JW3582 DASH No.	Jam Nut JW38999/28 DASH No.
9	A	30.2	16.53	M17x1.0-6g 0.1R	14.1	27.0	2.2	M12x1.0-6g 0.1R	.6250-0.1P-0.3L-TS	019	-1
11	B	34.9	19.07	M20x1.0-6g 0.1R	14.1	31.8	2.2	M15x1.0-6g 0.1R	.7500-0.1P-0.3L-TS	022	-2
13	C	38.1	23.82	M25x1.0-6g 0.1R	14.1	34.9	2.2	M18x1.0-6g 0.1R	.8750-0.1P-0.3L-TS	024	-3
15	D	41.3	26.97	M28x1.0-6g 0.1R	14.1	38.1	2.2	M22x1.0-6g 0.1R	1.0000-0.1P-0.3L-TS	026	-4
17	E	44.5	30.15	M32x1.0-6g 0.1R	14.1	41.3	2.2	M25x1.0-6g 0.1R	1.1875-0.1P-0.3L-TS	028	-6
19	F	49.2	33.32	M35x1.0-6g 0.1R	14.1	46.0	3.0	M28x1.0-6g 0.1R	1.2500-0.1P-0.3L-TS	128	-8
21	G	52.4	36.50	M38x1.0-6g 0.1R	14.1	49.2	3.0	M31x1.0-6g 0.1R	1.3750-0.1P-0.3L-TS	130	-9
23	H	55.6	39.67	M41x1.0-6g 0.1R	14.1	52.4	3.0	M34x1.0-6g 0.1R	1.5000-0.1P-0.3L-TS	132	-10
25	J	58.7	42.85	M44x1.0-6g 0.1R	14.1	55.6	3.0	M37x1.0-6g 0.1R	1.6250-0.1P-0.3L-TS	134	-11

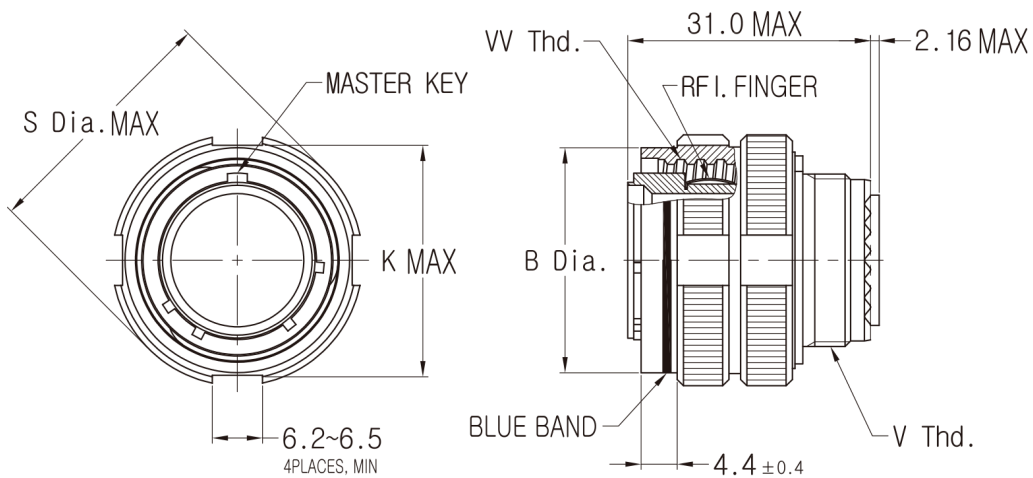
Shell Size	Inch-LBS Torque	E +0.00 -0.25	F Dia. +0.25 -0.00
A (9)	30/36	17.02	17.78
B (11)	40/45	19.59	20.96
C (13)	55/60	24.26	25.63
D (15)	70/75	27.56	28.83
E (17)	80/85	30.73	32.01
F (19)	90/95	33.91	35.18
G (21)	100/110	37.08	38.35
H (23)	110/120	40.26	41.53
J (25)	120/130	43.43	44.70

JWD38999-III Series

MIL-DTL-38999-III Style

JWD38999/26 Classes “F”, “W”

Straight Plug(EMI) (D38999/26)



UNIT: mm

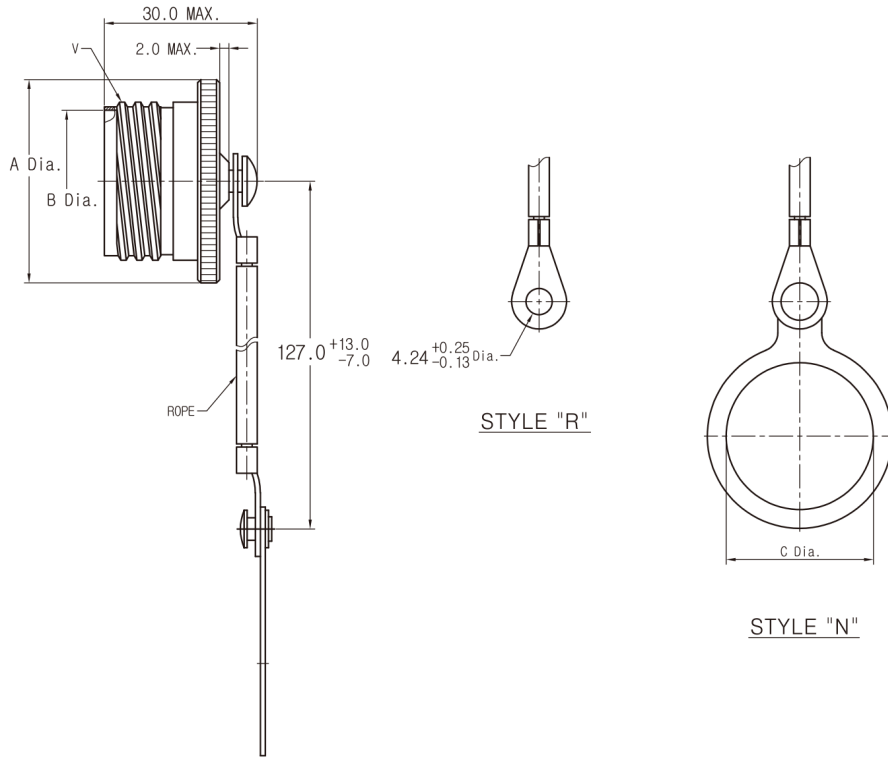
Shell Size	Shell Size Code	B Dia. +0.2 -0.0	K Max.	S Dia. Max.	V THD.	VV (Class : 2B) THD.
9	A	18.4	19.0	21.8	M12x1.0-6g 0.1R	.6250-0.1P-0.3L-TS
11	B	20.0	21.9	25.0	M15x1.0-6g 0.1R	.7500-0.1P-0.3L-TS
13	C	25.4	26.1	29.4	M18x1.0-6g 0.1R	.8750-0.1P-0.3L-TS
15	D	28.7	29.3	32.5	M22x1.0-6g 0.1R	1.0000-0.1P-0.3L-TS
17	E	32.2	32.8	35.7	M25x1.0-6g 0.1R	1.1875-0.1P-0.3L-TS
19	F	34.9	35.5	38.5	M28x1.0-6g 0.1R	1.2500-0.1P-0.3L-TS
21	G	38.1	38.7	41.7	M31x1.0-6g 0.1R	1.3750-0.1P-0.3L-TS
23	H	40.0	41.7	44.9	M34x1.0-6g 0.1R	1.5000-0.1P-0.3L-TS
25	J	44.3	44.9	48.0	M37x1.0-6g 0.1R	1.6250-0.1P-0.3L-TS

JWD38999-III Series

MIL-DTL-38999-III Style

JWD38999/32

Plug Cap

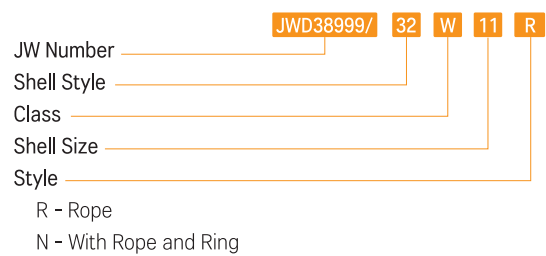
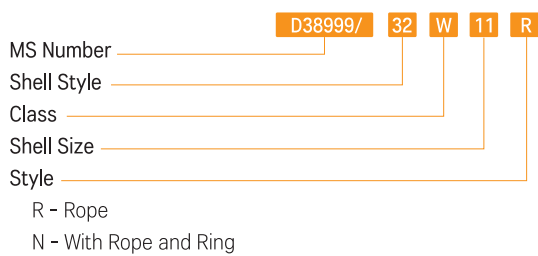


UNIT: mm

Shell Size	A Dia. Max.	B Dia. +0.00 -0.15	C Dia. Min.	V (Class : 2B) THD.
9	23.0	12.50	13.0	.6250-0.1P-0.3L-TS
11	26.0	15.75	18.0	.7500-0.1P-0.3L-TS
13	31.0	19.53	20.0	.8750-0.1P-0.3L-TS
15	33.0	22.71	23.0	1.0000-0.1P-0.3L-TS
17	37.0	25.88	26.0	1.1875-0.1P-0.3L-TS
19	40.0	28.55	29.0	1.2500-0.1P-0.3L-TS
21	44.0	31.72	32.0	1.3750-0.1P-0.3L-TS
23	46.0	34.90	34.0	1.5000-0.1P-0.3L-TS
25	50.0	38.07	39.0	1.6250-0.1P-0.3L-TS

Class	Finish
F	Electroless nickel coating
W	Olive drab, cadmium, nickel base

How To Order

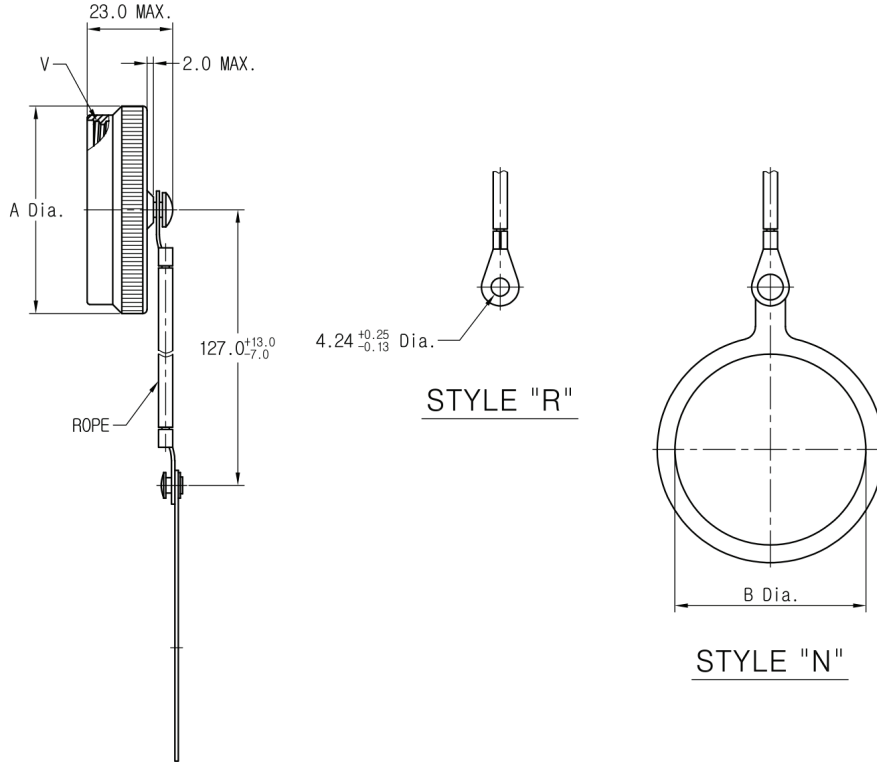


JWD38999-III Series

MIL-DTL-38999-III Style

JWD38999/33

Receptacle Cap (D38999/33)

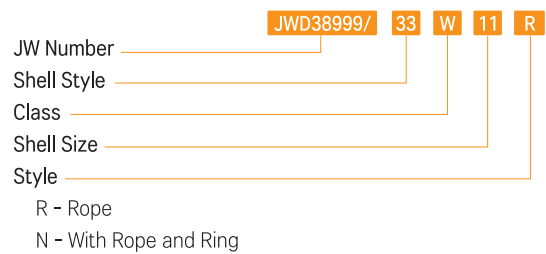
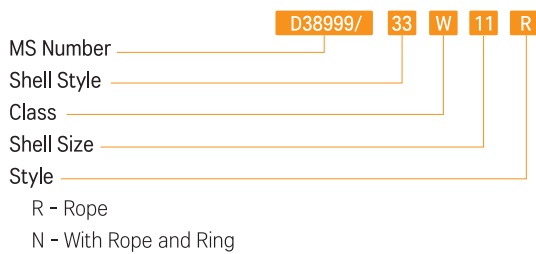


UNIT: mm

Shell Size	A Dia. Max.	B Dia. Min.	V (Class : 2B) THD.
9	23.0	17.64	.6250-0.1P-0.3L-TS
11	28.0	21.97	.7500-0.1P-0.3L-TS
13	31.0	25.12	.8750-0.1P-0.3L-TS
15	32.0	29.92	1.0000-0.1P-0.3L-TS
17	37.0	32.00	1.1875-0.1P-0.3L-TS
19	39.0	36.27	1.2500-0.1P-0.3L-TS
21	42.0	38.25	1.3750-0.1P-0.3L-TS
23	45.0	42.62	1.5000-0.1P-0.3L-TS
25	49.0	44.45	1.6250-0.1P-0.3L-TS

Class	Finish
F	Electroless nickel coating
W	Olive drab, cadmium, nickel base

How To Order

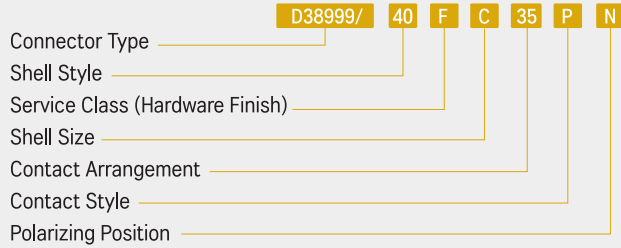


JWD38999-IV Series

MIL-DTL-38999-IV Style

주문정보 Ordering Information

Military Nomenclature



• Connector Type

D38999/ - MIL-DTL-38999 Series IV

• Shell Style

D38999/40 - Wall mount receptacle
D38999/42 - Box mount receptacle
D38999/44 - Jam nut receptacle
D38999/46 - Straight Plug, Grounded
D38999/49 - In-Line receptacle

• Hardware Finish

F - Electroless nickel coating, -65°C to +200°C
(-85°F to 392°F)

W - Olive drab cadmium over electroless nickel plate.
-65°C to +175°C (-85°F to +347°F)

• Shell Size

Shell Size Code	B	C	D	E	F	G	H	J
Shell Size	11	13	15	17	19	21	23	25

• Contact Arrangement

MIL-STD-1560A

• Contact Style

P - Pin
S - Socket
A - Less Pin Contact*
B - Less Socket Contact*

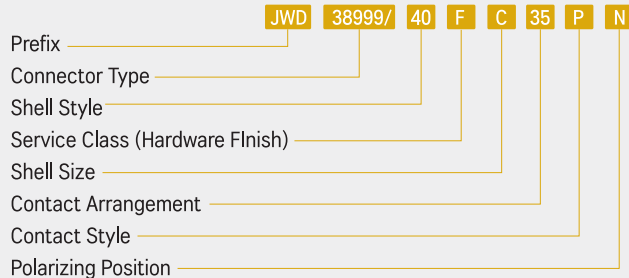
*Used only when other than power contacts are to be installed(i.e., shielded, thermocouple, etc.)

• Polarizing Position

N(normal), A, B, C, D, E

Note : To order MS connectors less standard power contacts, purchase order must state "Less Contacts".

JAEWON Nomenclature



• Prefix

JW - JAEWON

• Connector Type

D38999/- MIL-DTL-38999 Series IV

• Shell Style

38999/40 - Wall mount receptacle
38999/42 - Box mount receptacle
38999/44 - Jam nut receptacle
38999/46 - Straight Plug, Grounded
38999/49 - In-Line receptacle

• Hardware Finish

F - Electroless nickel coating, -65°C to +200°C
(-85°F to 392°F)

W - Olive drab cadmium over electroless nickel plate.
-65°C to +175°C (-85°F to +347°F)

• Shell Size

Shell Size Code	B	C	D	E	F	G	H	J
Shell Size	11	13	15	17	19	21	23	25

• Contact Arrangement

MIL-STD-1560A

• Contact Style

P - Pin
S - Socket
A - Less Pin Contact*
B - Less Socket Contact*

*Used only when other than power contacts are to be installed (i.e., shielded, thermocouple, etc.)

• Polarizing Position

N(normal), A, B, C, D, E

JWD38999-IV Series

MIL-DTL-38999-IV Style

JWD38999/40 Classes "F", "W"

Wall Mounting Receptacle (D38999/40)

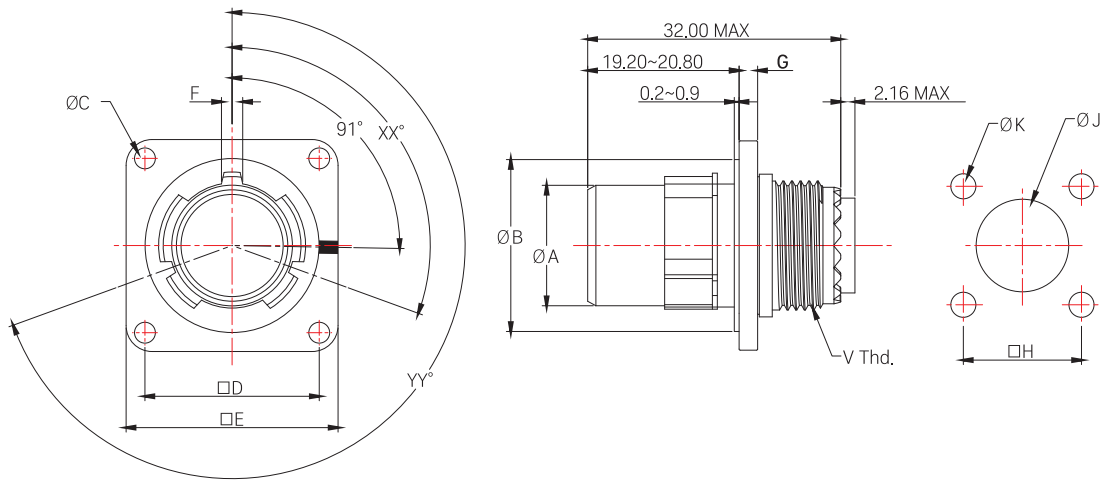
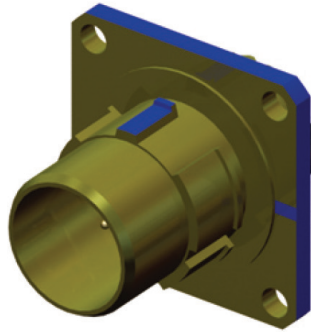


Table 1 : Polarization Chart

Key Position	XX°	YY°
N	110°	250°
A	100°	260°
B	90°	270°
C	80°	280°
D	70°	290°
L	120°	265°
M	120°	275°
R	120°	285°

Table 2

UNIT: mm

Shell Size	Shell Size Code	A Dia.	B Dia.	C Dia.	D BSC	E	F(BSC)		G	H ±0.13	J Dia. ±0.13	K Dia. ±0.13	V (THO.)
							Socket	Pin					
11	B	12.93	20.15	3.5	20.62	26.7	1.90	2.78	2.6	20.63	20.47	3.25	M15x1.0-6g 0.1R
		12.77	19.76	3.1		25.6	2.1						
13	C	16.10	23.35	3.5	23.02	29.1	1.94	2.85	2.6	23.01	23.67	3.25	M18x1.0-6g 0.1R
		15.93	22.96	3.1		28.0	2.1						
15	D	19.28	26.52	3.5	24.62	31.5	2.43	3.36	2.6	24.61	26.85	3.25	M22x1.0-6g 0.1R
		19.12	26.13	3.1		30.4	2.1						
17	E	22.48	29.72	3.5	26.98	33.9	2.45	3.40	2.6	26.98	30.05	3.25	M25x1.0-6g 0.1R
		22.32	29.33	3.1		32.8	2.1						
19	F	25.63	32.87	3.5	29.36	37.1	2.96	3.91	2.6	29.36	33.20	3.25	M28x1.0-6g 0.1R
		25.47	32.48	3.1		36.0	2.1						
21	G	28.80	36.05	3.5	31.76	40.2	2.99	3.94	3.4	31.75	36.37	3.25	M31x1.0-6g 0.1R
		28.64	35.66	3.1		39.1	2.9						
23	H	31.98	39.22	4.0	34.92	43.4	3.50	4.46	3.4	34.93	39.55	3.91	M34x1.0-6g 0.1R
		31.82	38.83	3.6		42.3	2.9						

JWD38999-IV Series

MIL-DTL-38999-IV Style

JWD38999/44 Classes "F", "W"

Jam Nut Receptacle (D38999/44)

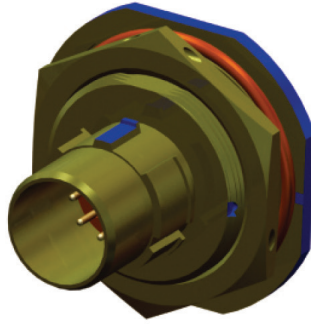


Table 1 : Polarization Chart

Key Position	XX°	YY°
N	110°	250°
A	100°	260°
B	90°	270°
C	80°	280°
D	70°	290°
L	120°	265°
M	120°	275°
R	120°	285°
U	0°	0°

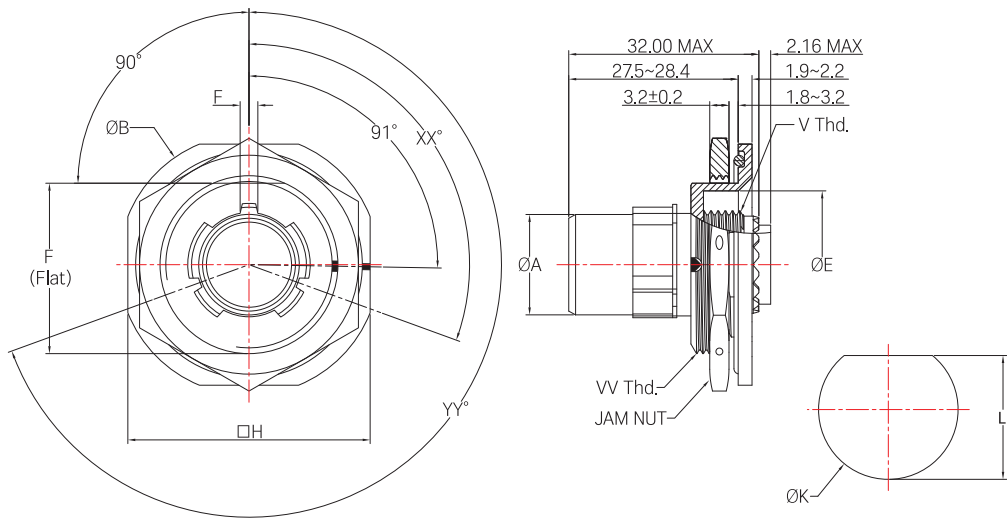


Table 2

UNIT: mm

Shell Size	Shell Size Code	A Dia.	B Dia.	C Dia.	E Dia.	F Flat	F(BSC)		H	K Dia. +0.25 -0.00	L Dia. +0.00 -0.25	V (THD.)	VV (THD.)	Jam Nut JW38999/28 DASH No.	O-Ring JW3582 DASH No.
							Socket	Pin							
11	B	25.40	38.6	12.93	20.42	23.93	1.90	2.78	35.4	25.65	24.26	M15x1.0-6g 0.1R	M25x1.0-6g 0.1R	-3	-024
		25.15	37.6	12.77	20.17	23.74			34.4						
13	C	28.58	41.7	16.10	23.57	27.08	1.94	2.85	38.6	28.83	27.56	M18x1.0-6g 0.1R	M28x1.0-6g 0.1R	-4	-026
		28.33	40.7	15.93	23.32	26.89			37.6						
15	D	31.75	44.9	19.28	26.56	30.26	2.43	3.36	41.7	32.01	30.73	M22x1.0-6g 0.1R	M31x1.0-6g 0.1R	-5	-028
		31.50	43.9	19.12	26.31	30.07			40.7						
17	E	34.92	49.7	22.48	30.02	33.56	2.45	3.40	45.7	35.18	33.91	M25x1.0-6g 0.1R	M34x1.0-6g 0.1R	-7	-029
		34.67	48.7	22.32	29.77	33.37			44.7						
19	F	38.10	51.7	25.63	32.91	36.61	2.96	3.91	48.5	38.35	37.08	M28x1.0-6g 0.1R	M38x1.0-6g 0.1R	-9	-030
		37.85	50.7	25.47	32.66	36.42			47.5						
21	G	41.28	54.8	28.80	36.11	39.78	2.99	3.94	51.7	41.53	40.26	M31x1.0-6g 0.1R	M41x1.0-6g 0.1R	-10	-031
		41.03	53.8	28.64	35.86	39.59			50.7						
23	H	44.45	58.0	31.98	39.26	42.96	3.50	4.46	54.8	44.70	43.42	M34x1.0-6g 0.1R	M44x1.0-6g 0.1R	-11	-032
		44.20	57.0	31.82	39.01	42.77			53.8						

JWD38999-IV Series

MIL-DTL-38999-IV Style

JWD38999/46 Classes "F", "W"

Straight Plug(EMI) (D38999/46)

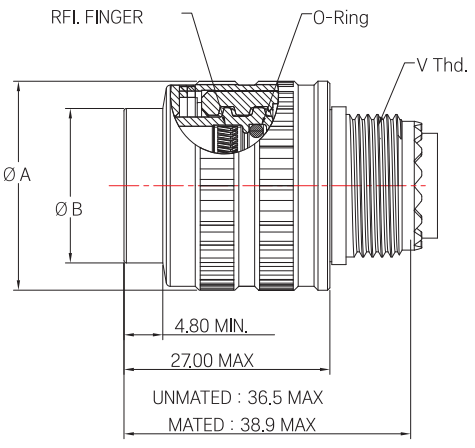
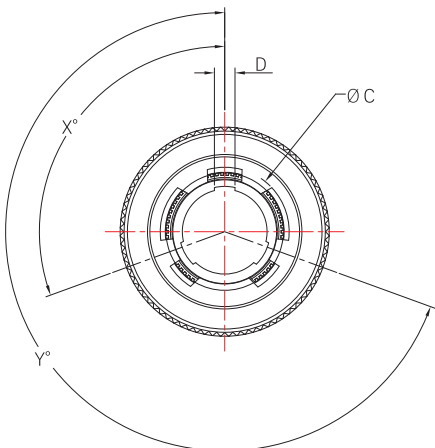
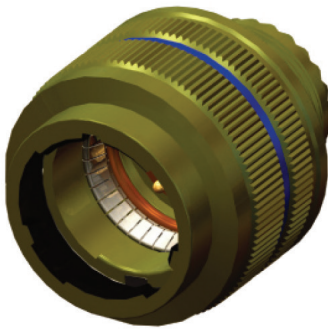


Table 1 : Polarization Chart

Key Position	XX°	YY°
N	110°	250°
A	100°	260°
B	90°	270°
C	80°	280°
D	70°	290°
L	120°	265°
M	120°	275°
R	120°	285°

Table 2

UNIT: mm

Shell Size	Shell Size Code	A Dia.	B Dia.	C Dia.	D(BSC)		V (THO.)
					Socket	Pin	
11	B	26.6	19.7	16.28	2.84	1.82	M15x1.0-6g0.1R
13	C	31.0	22.9	19.35	2.87	1.85	M18x1.0-6g0.1R
15	D	34.2	26.4	22.50	3.37	2.36	M22x1.0-6g 0.1 R
17	E	37.4	29.2	25.68	3.37	2.36	M25x1.0-6g 0.1 R
19	F	40.2	32.4	27.71	3.89	2.37	M28x1.0-6g 0.1 R
21	G	43.3	35.6	30.88	3.89	2.37	M31x1.0-6g0.1R
23	H	46.5	38.8	34.16	4.39	3.37	M34x1.0-6g0.1R

JWD38999-IV Series

MIL-DTL-38999-IV Style

JWD38999/49 Classes "F", "W"

In-Line Receptacle (D38999/49)

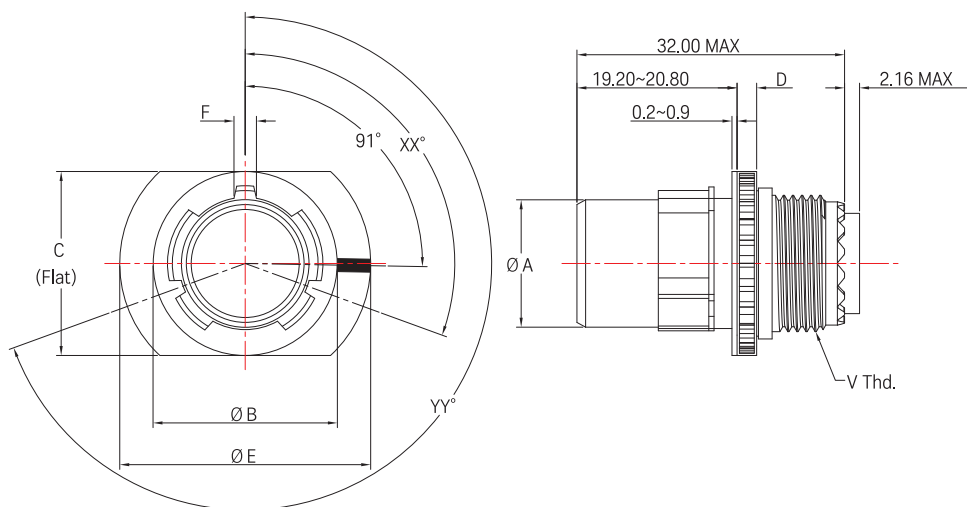
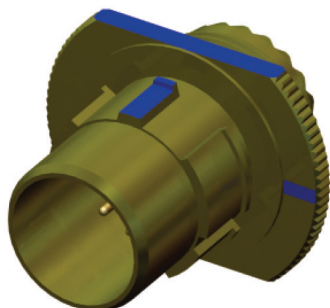


Table 1 : Polarization Chart

Key Position	XX°	YY°
N	110°	250°
A	100°	260°
B	90°	270°
C	80°	280°
D	70°	290°
L	120°	265°
M	120°	275°
R	120°	285°

Table 2

UNIT: mm

Shell Size	Shell Size Code	A Dia.	B Dia.	C Flat	D	E Dia. Max	F(BSC)		V (THO.)
							Socket	Pin	
11	B	12.93	20.15	20.15	2.6	26.78	1.90	2.78	M15x1.0-6g 0.1R
13	C	16.10	23.35	23.35	2.6	31.15	1.94	2.85	M18x1.0-6g 0.1R
15	D	19.28	26.52	26.52	2.6	34.32	2.43	3.36	M22x1.0-6g 0.1R
17	E	22.48	29.72	29.72	2.6	37.50	2.45	3.40	M25x1.0-6g 0.1R
19	F	25.63	32.87	32.87	2.6	40.29	2.96	3.91	M28x1.0-6g 0.1R
21	G	28.80	36.05	36.05	3.4	43.46	2.99	3.94	M31x1.0-6g0.1R
23	H	31.98	39.22	39.22	3.4	46.64	3.50	4.46	M34x1.0-6g 0.1R



JW22992 Class C.J&R CONNECTOR

(MIL-DTL-22992 Class C.J&R Style)

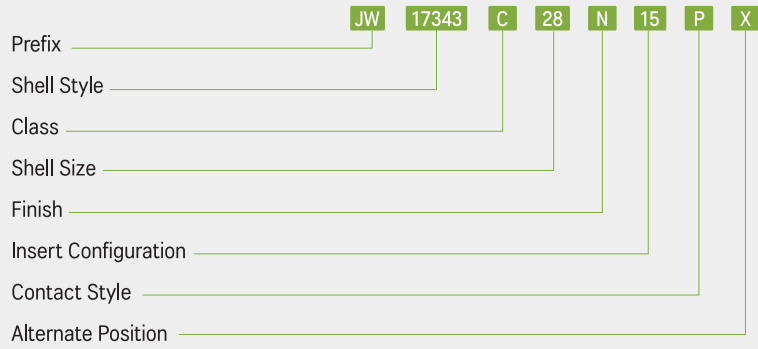


JW22992 Class C.J&R series

MIL-DTL-22992 Class C.J&R Style

주문정보 (Ordering Information)

Military Nomenclature



• Shell Style

- JW17343 Wall Mount Receptacle.
- JW17344 Straight Plug.
- JW17345 In - line receptacle.
- JW17346 Box mount receptacle.
- JW17347 Jam Nut Receptacle. Wall mount
- JW17348 Jam Nut Receptacle. Box mount

• Class

- C. Pressurized.
- J. Pressurized with grommet.
- R. Environmental resistant.

• Shell Size

- 12, 14, 16, 18, 20, 24, 28, 32, 36

• Finish

- W - Cadmium chromate over zinc plating / 카드뮴
- Z - Black trivalent chromate over zinc plating (RoHS) / 아노다이징

• Insert Configuration

- MIL-C-5015 Insert configurations

• Contact Style

- P - Pin contacts.
- S - Socket contacts.

• Alternate Postion

- BLANK (normal) W, X, Y or Z.
- Same as MIL-C-5015.

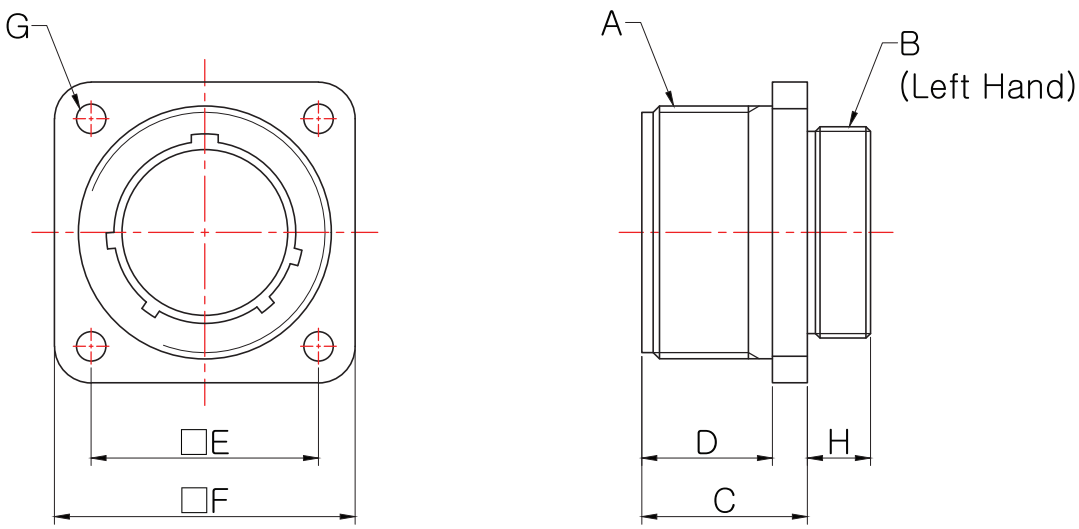
JW22992 Class C.J&R series

MIL-DTL-22992 Class C.J&R Style

JW17343

MS17343

Wall mount receptacle



UNIT: mm

Shell Size	A thread Class 2A(Plated) 0.1P-0.2L Double stub	B thread Class 2A-LH (Plated)	C +0.10 -0.20	D +0.10 -0.00	E (TP)	F +0.021 -0.020	ØG +0.004 -0.003	H ±0.10
14	1.000 - 0.1p-0.2L	.875-20UNEF	24.71	20.24	24.61	32.54	3.81	16.26
16	1.125 - 0.1p-0.2L	1.000-20UNEF	24.71	20.24	26.97	34.93	3.81	16.26
18	1.250 - 0.1p-0.2L	1.125-18UNEF	24.21	20.24	29.36	38.10	4.50	15.88
20	1.375 - 0.1p-0.2L	1.250-18UNEF	24.21	20.24	31.75	41.28	4.50	15.88
22	1.500 - 0.1p-0.2L	1.375-18UNEF	24.21	20.24	34.93	44.45	4.50	15.88
24	1.750 - 0.1p-0.2L	1.625-18UNEF	26.59	21.82	39.67	50.80	4.50	15.09
28	2.000 - 0.1p-0.2L	1.875-16UN	26.59	21.82	44.45	57.15	4.50	15.09
32	2.250 - 0.1p-0.2L	2.0625-16UNS	28.17	23.42	49.23	63.50	5.31	13.46
36	2.500 - 0.1p-0.2L	2.3125-16UNS	28.17	23.42	55.58	69.85	5.31	13.46

All dimensions for reference only

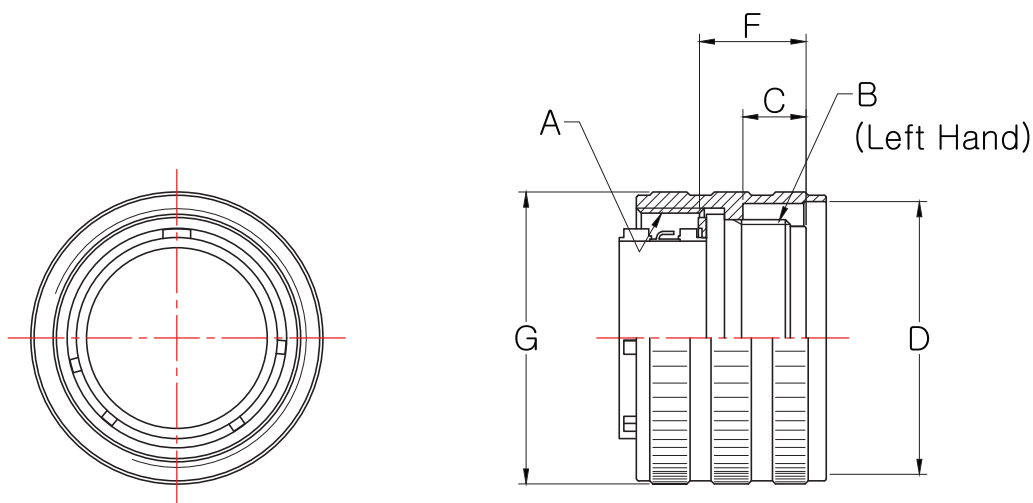
JW22992 Class C.J&R series

MIL-DTL-22992 Class C.J&R Style

JW17344

MS17344

Straight plug



UNIT: mm

Shell Size	A thread Class 2B 0.1P-0.2L Double stub	B thread Class 2A-LH (Plated)	C	D +.010 -.001	F +.011 -.010	ØG Max
14	1.000 - 0.1p-0.2L	.875-20UNEF	13.1826±0.5	28.17	18.75	32.54
16	1.125 - 0.1p-0.2L	1.000-20UNEF	13.1826±0.5	31.37	18.75	37.31
18	1.250 - 0.1p-0.2L	1.125-18UNEF	13.18±0.5	34.52	18.75	39.70
20	1.375 - 0.1p-0.2L	1.250-18UNEF	13.18±0.5	37.72	18.75	42.88
22	1.500 - 0.1p-0.2L	1.375-18UNEF	13.1826±0.5	40.87	18.75	46.84
24	1.750 - 0.1p-0.2L	1.625-18UNEF	13.18±0.5	47.22	20.32	53.19
28	2.000 - 0.1p-0.2L	1.875-16UN	13.18±0.5	53.57	20.32	59.54
32	2.250 - 0.1p-0.2L	2.0625-16UNS	13.43±0.66	59.92	22.23	65.89
36	2.500 - 0.1p-0.2L	2.3125-16UNS	13.33±0.66	66.26	22.23	72.23

All dimensions for reference only

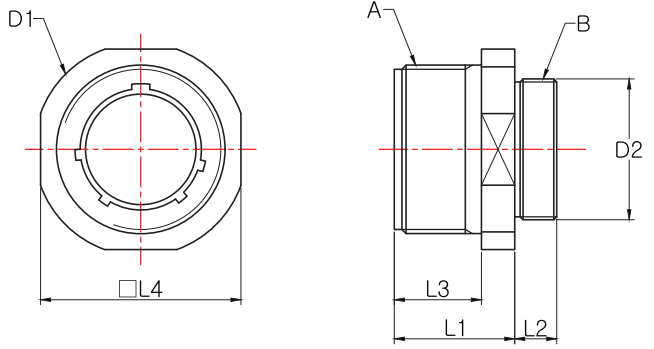
JW22992 Class C.J&R series

MIL-DTL-22992 Class C.J&R Style

JW17345

MS17345

Connector, Plug, Electrical, Cable Connecting, Female



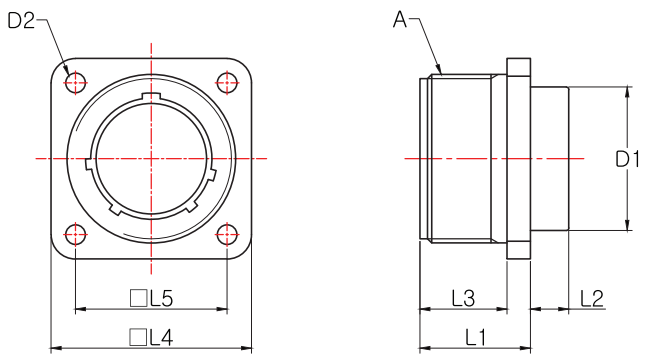
UNIT: mm

Shell Size	A Thread. (Class : 2A) DS	B Thread. (Class : 2A) LH	D1	D2 ±0.03 -0.18	L1 ±0.53 -0.51	L2 ±0.25	L3 ±0.41 -0.00	L4 ±0.53 -0.51
14	1.0000-0.1P-0.2L	.8750-20UNEF	34.93	20.24	23.83	16.28	17.48	27.79
16	1.1250-0.1P-0.2L	1.0000-20UNEF	38.10	23.42	23.83	16.28	17.48	32.54
18	1.2500-0.1P-0.2L	1.1250-18UNEF	41.28	26.42	24.21	15.88	17.86	34.93
20	1.3750-0.1P-0.2L	1.2500-18UNEF	44.45	29.57	24.21	15.88	17.86	38.10
22	1.5000-0.1P-0.2L	1.3750-18UNEF	47.63	32.74	24.21	15.88	17.86	41.28
24	1.7500-0.1P-0.2L	1.6250-18UNEF	53.98	39.09	24.82	15.88	19.46	47.63
28	2.0000-0.1P-0.2L	1.8750-16UN	60.20	45.21	25.81	15.88	19.46	53.98
32	2.2500-0.1P-0.2L	2.0625-16UNS	66.68	49.96	27.38	14.30	17.86	60.33
36	2.5000-0.1P-0.2L	2.3125-16UNS	73.03	56.31	27.38	14.30	17.86	66.68

JW17346

MS17346

Connector, Receptacle, Electrical, Box mounting



UNIT: mm

Shell Size	A Thread. (Class : 2A) DS	D1 ±0.03 -0.18	D2 ±0.13	L1 ±0.13 -0.51	L2 ±0.51 -0.76	L3 ±0.13 -0.00	L4 ±0.53 -0.51	L5 ±0.10
14	1.0000-0.1P-0.2L	20.24	3.81	23.83	16.26	20.24	32.54	24.61
16	1.1250-0.1P-0.2L	23.42	3.81	23.83	16.26	20.24	34.93	26.97
18	1.2500-0.1P-0.2L	26.42	4.50	23.83	15.88	20.24	38.10	29.36
20	1.3750-0.1P-0.2L	29.57	4.50	23.83	15.88	20.24	41.28	31.75
22	1.5000-0.1P-0.2L	32.74	4.50	23.83	15.88	20.24	44.45	34.93
24	1.7500-0.1P-0.2L	39.09	4.50	26.59	15.09	21.82	50.80	39.67
28	2.0000-0.1P-0.2L	45.21	4.50	26.59	15.09	21.82	57.15	44.45
32	2.2500-0.1P-0.2L	49.96	5.31	28.19	13.49	23.42	63.50	49.23
36	2.5000-0.1P-0.2L	56.31	5.31	28.19	13.49	23.42	69.85	55.58

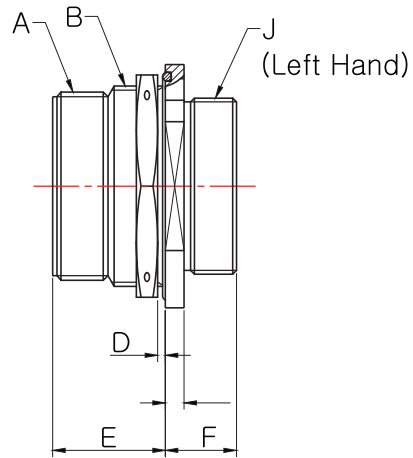
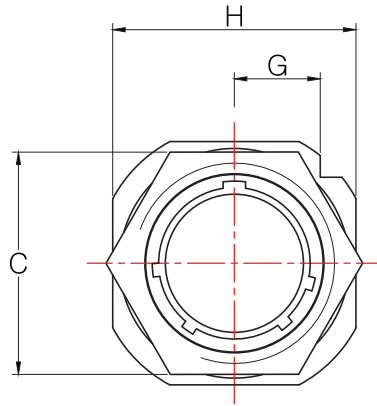
JW22992 Class C.J&R series

MIL-DTL-22992 Class C.J&R Style

JW17347

MS17347

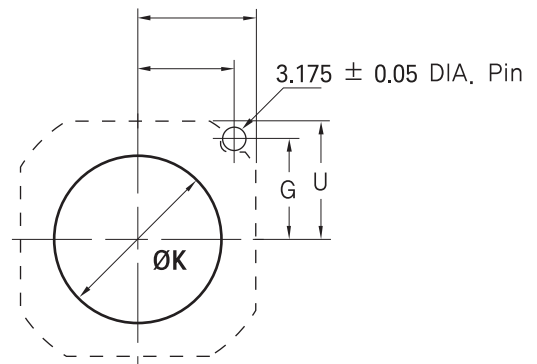
Jam nut receptacle (Wall mount)



UNIT: mm

Shell Size	ØK +0.005 -0.000	G ±0.003	U ±0.005
14	28.70	15.39	19.05
16	32.87	17.75	22.23
18	35.05	18.77	23.83
20	38.22	19.89	25.40
22	41.40	21.08	26.97
24	47.75	23.34	30.18
28	54.10	25.58	33.32
32	60.45	27.84	36.53
36	66.80	30.05	39.67

Mounting dimensions



UNIT: mm

Shell Size	A Thread Class 2B 0.1P-0.2L Double stub	B Thread Class 2A (Plated)	C Hex +0.17 -0.16	D Panel Thickness		E ±0.10	F +0.21 -0.20	G ±0.10	H +0.11 -0.10	J Thread Class 2A-LH (Plated)
				Min	Max					
14	1.000 - 0.1p-0.2L	1.125-18UNEF	33.32	2.39	4.78	29.21	16.28	13.46	38.10	.875-20UNEF
16	1.125 - 0.1p-0.2L	1.250-18UNEF	38.10	2.39	4.78	29.21	17.86	15.82	44.45	1.000-20UNEF
18	1.250 - 0.1p-0.2L	1.375-18UNEF	39.67	2.39	5.16	29.89	17.86	16.84	47.63	1.125-18UNEF
20	1.375 - 0.1p-0.2L	1.500-18UNEF	44.45	2.39	5.16	29.89	17.86	17.96	50.80	1.250-18UNEF
22	1.500 - 0.1p-0.2L	1.625-18UNEF	47.63	2.39	5.16	29.89	17.86	19.08	53.98	1.375-18UNEF
24	1.750 - 0.1p-0.2L	1.875-16UN	53.98	2.39	6.73	29.89	17.86	21.34	60.33	1.625-18UNEF
28	2.000 - 0.1p-0.2L	2.125-16UN	60.33	2.39	7.04	29.89	19.94	23.57	66.68	1.875-16UN
32	2.250 - 0.1p-0.2L	2.375-16UN	66.68	2.39	5.46	30.70	19.94	25.83	73.03	2.0625-16UN
36	2.500 - 0.1p-0.2L	2.625-16UN	73.03	2.39	5.46	30.70	19.94	28.04	79.38	2.3125-16UN

All dimensions for reference only

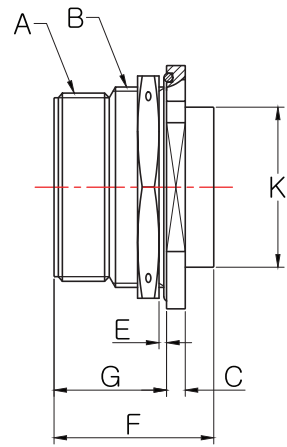
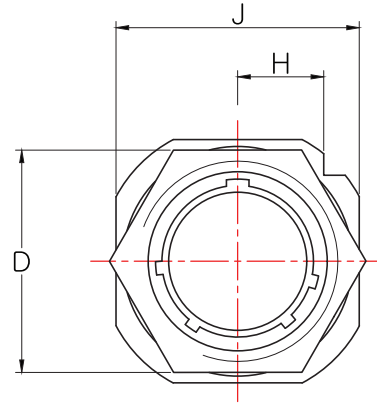
JW22992 Class C.J&R series

MIL-DTL-22992 Class C.J&R Style

JW17348

MS17348

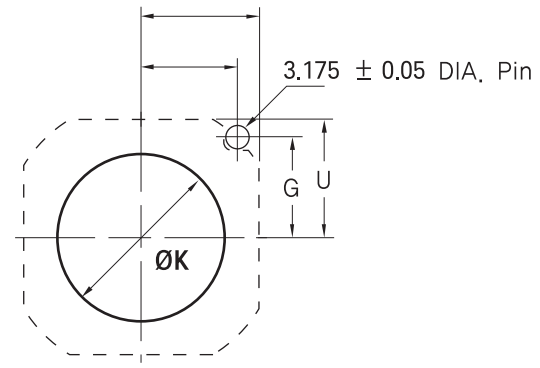
Jam nut receptacle (Box mount)



UNIT: mm

Shell Size	ØK +0.005 -0.000	G ±0.003	U ±0.005
14	28.70	15.39	19.05
16	31.88	17.75	22.23
18	35.05	18.77	23.83
20	38.23	19.89	25.40
22	41.40	21.08	26.97
24	47.75	23.34	30.18
28	54.10	25.58	33.32
32	60.45	27.84	36.53
36	66.80	30.05	39.67

Mounting dimensions



UNIT: mm

Shell Size	A Thread Class 2B 0.1P-0.2L Double stub	B Thread Class 2A (Plated)	C +0.006 -0.005	D Hex +0.017 -0.016	E Panel Thickness		F +0.11 -0.10	G ±0.10	H ±0.10	J +0.11 -0.10	K +0.11 -0.10
					Min	Max					
14	1.000 - 0.1p-0.2L	1.125-18UNEF	3.18	33.32	2.39	7.54	40.08	31.37	13.46	38.10	19.43
16	1.125 - 0.1p-0.2L	1.250-18UNEF	4.78	38.10	2.39	7.54	40.08	31.37	15.82	44.45	22.61
18	1.250 - 0.1p-0.2L	1.375-18UNEF	4.78	39.67	2.39	6.76	40.08	30.56	16.84	47.63	25.78
20	1.375 - 0.1p-0.2L	1.500-18UNEF	4.78	44.45	2.39	6.76	40.08	30.56	17.96	50.80	29.74
22	1.500 - 0.1p-0.2L	1.625-18UNEF	4.78	47.63	2.39	6.76	40.08	30.56	19.08	53.98	32.92
24	1.750 - 0.1p-0.2L	1.875-16UN	4.78	53.98	2.39	8.33	41.68	32.16	21.34	60.33	36.09
28	2.000 - 0.1p-0.2L	2.125-16UN	5.56	60.33	2.39	8.33	41.68	33.76	23.57	66.68	41.28
32	2.250 - 0.1p-0.2L	2.375-16UN	5.56	66.68	2.39	8.33	41.68	33.76	25.83	73.03	48.03
36	2.500 - 0.1p-0.2L	2.625-16UN	5.56	73.03	2.39	8.33	41.68	33.76	28.04	79.38	52.78

All dimensions for reference only

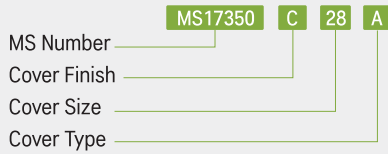
JW22992 Class C.J&R series

MIL-DTL-22992 Class C.J&R Style

Cap

Military
Nomenclature

Order MS - approved covers as per coded part number example :



• **MS Number**

MS17350 Designated plug protective cover
MS17349 Designated receptacle protect cover

• **Cover Finish**

C for conductive, N for non-conductive.

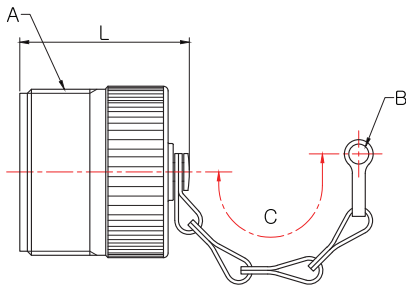
• **Cover Size**

Shell size of connector with which cover is used.

• **Cover Type** (MS17349 only)

A - Washer Termination, used with :
MS17345 Line (cable connecting) plug
MS17347 Jam nut receptacle
MS17348 Jam nut receptacle
B - Eyelet Termination - used with :
MS17343 Wall mount receptacle
MS17346 Box mount receptacle

JW17350(MS17350)
Plug Cap

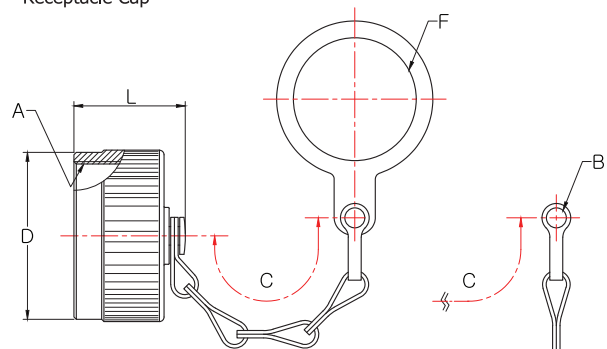


UNIT: mm

Shell Size	A Thread Class 2B 0.1P-0.2L Double stub	B Dia +.010 -.005	C Approx.	L Max
14	1.000 - 0.1p-0.2L	3.96	127.00	38.10
16	1.125 - 0.1p-0.2L	3.96	127.00	38.10
18	1.250 - 0.1p-0.2L	4.57	127.00	38.10
20	1.375 - 0.1p-0.2L	4.57	127.00	38.10
22	1.500 - 0.1p-0.2L	4.57	152.40	38.10
24	1.750 - 0.1p-0.2L	4.57	152.40	38.10
28	2.000 - 0.1p-0.2L	4.57	152.40	38.10
32	2.250 - 0.1p-0.2L	5.31	152.40	38.10
36	2.500 - 0.1p-0.2L	5.31	152.40	38.10

All dimensions for reference only

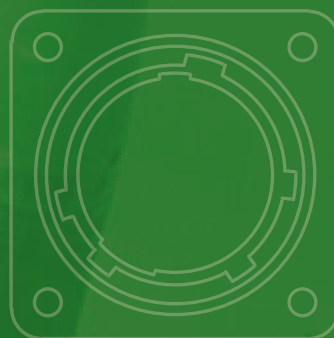
JW17349A/B(MS17349A/B)
Receptacle Cap



UNIT: mm

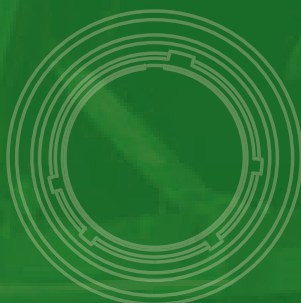
Shell Size	A Thread Class 2B 0.1P-0.2L Double stub	B +.010 -.005	C Approx.	D Dia. Max	F +.010 -.000	L Max
14	1.000 - 0.1p-0.2L	3.96	127.00	30.96	28.98	19.43
16	1.125 - 0.1p-0.2L	3.96	127.00	34.14	32.16	24.89
18	1.250 - 0.1p-0.2L	4.57	127.00	37.31	35.33	24.89
20	1.375 - 0.1p-0.2L	4.57	127.00	39.67	38.51	24.89
22	1.500 - 0.1p-0.2L	4.57	152.40	42.88	41.68	24.89
24	1.750 - 0.1p-0.2L	4.57	152.40	49.23	48.03	24.89
28	2.000 - 0.1p-0.2L	4.57	152.40	56.36	54.38	24.89
32	2.250 - 0.1p-0.2L	5.31	152.40	62.71	60.73	24.89
36	2.500 - 0.1p-0.2L	5.31	152.40	69.06	67.08	24.89

All dimensions for reference only



JW22992 Class L CONNECTOR

(MIL-DTL-22992 Class L Style)

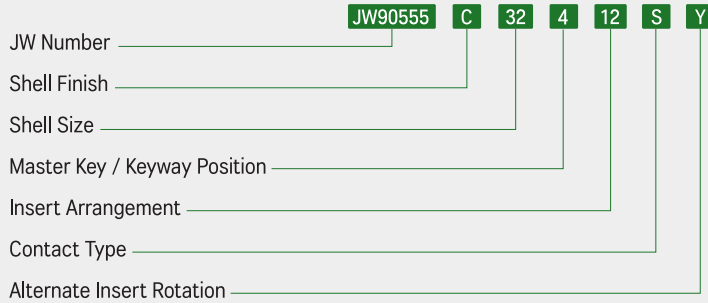


JW22992 Class L series

MIL-DTL-22992 Class L Style

주문정보 (Ordering Information)

Military
Nomenclature



• MS Number

- MS90555 Designates wall mount receptacle (power source)
- MS90556 Designates straight plug
- MS90557 Designates cable connecting receptacle without coupling ring
- MS90558 Designates wall mount plug with coupling ring (equipment end)

• Shell Finish

C (conductive) for AC or N (nonconductive) for DC circuit

Grounding Assemblies : Finish C

Shell Size	Current Rating Amps	Shell Master Key / Keyway Position 60Hz & 400Hz						
		1 Phase			3 Phase			
		2 Wire		3 Wire	3 Wire			
		120VAC	240VAC	120/240 VAC	450/480 VAC	120/208 VAC	240/416 VAC	277/480 VAC
28	40	4(120°)	5(135°)	4(120°)	-	4(120°)	5(135°)	6(150°)
32	60	4(120°)	5(135°)	4(120°)	-	4(120°)	5(135°)	6(150°)
44	100	4(120°)	-	4(120°)	1(60°)	4(120°)	5(135°)	6(150°)
52	200	-	-	4(120°)	-	4(120°)	5(135°)	6(150°)

Non-grounding Assemblies : Finish N

Shell Size	Current Rating Amps	Shell Master Key Keyway Position	
		1 Phase	2 Wire
		28 VDC	
28	40	N(105°)	
32	60	N(105°)	
44	100	N(105°)	
52	200	N(105°)	

• Shell Size

- Related directly to current carrying capability
- Size 28 - 40 amperes
- Size 32 - 60 amperes
- Size 44 - 100 amperes
- Size 52 - 200 amperes

• Master Key / Keyway Position

- N designates normal position. Positions 1, 4, 5 and 6 of the master key/keyway prevent cross-mating of incompatible voltages. Refer to the adjacent illustration

• Insert Arrangement

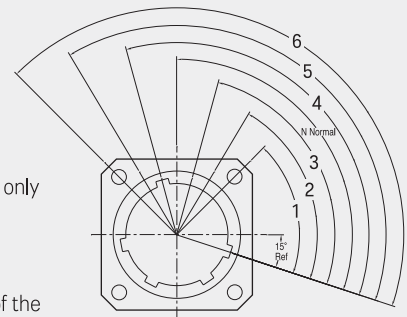
- Determined by connector size (current carrying capability) and cable configuration to be accommodated. Refer to pages 5 & 6

• Contact Type

- P for pin, S for socket. MS90555 and MS90557 are supplied with socket contacts only. MS90556 and MS90558 are supplied with pin contacts only

• Alternate Insert Rotation

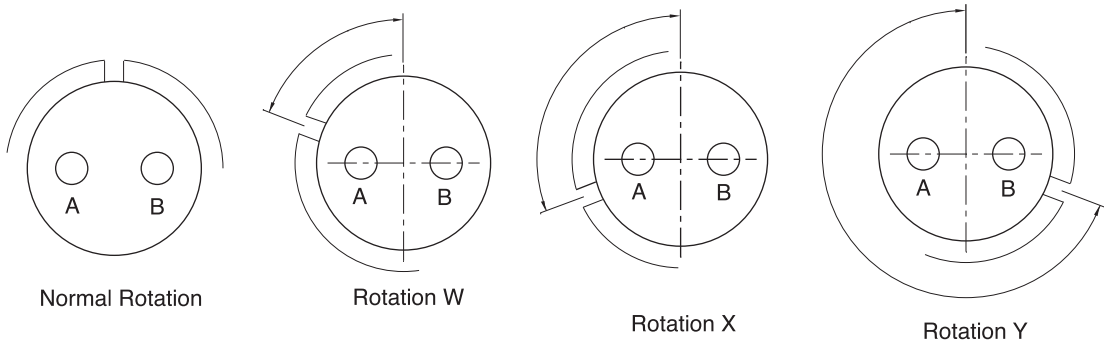
- Used to prevent cross-mating of incompatible frequencies. Absence of a letter in this space indicates normal (0°) position of the insert. Refer to page 101



JW22992 Class L series

MIL-DTL-22992 Class L Style

Insert Availability and Identification



UNIT: mm

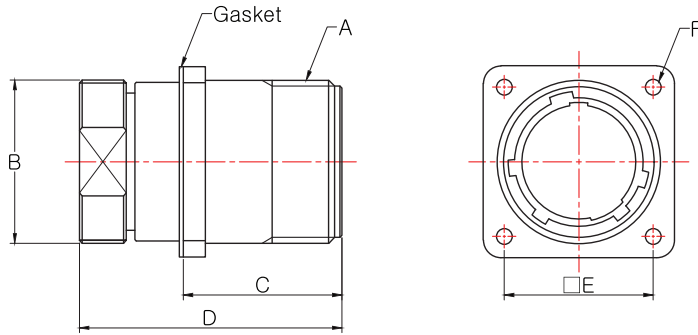
Insert	Keying Position (Degrees from normal position)			
	DC or 60 Hz Normal	400Hz		
		W	X	Y
28-02,-03	0°(normal)			
28-04,-05	0°			180°
28-06,-07	0°	45°	90°	
28-12,-13	0°		90°	180°
32-02,-03	0°			
32-04,-05	0°			
32-06,-07	0°			
32-12,-13	0°			
44-02,-03	0°			
44-04,-05	0°	45°		
44-06	0°	25°		
44-12,-13	0°	60°		
44-50,-51,-52,-56	0°			
52-02	0°			
52-06	0°	25°		
52-12,-13	0°	60°		

JW22992 Class L series

MIL-DTL-22992 Class L Style

JW90555

Wall mount receptacle
(Power source)



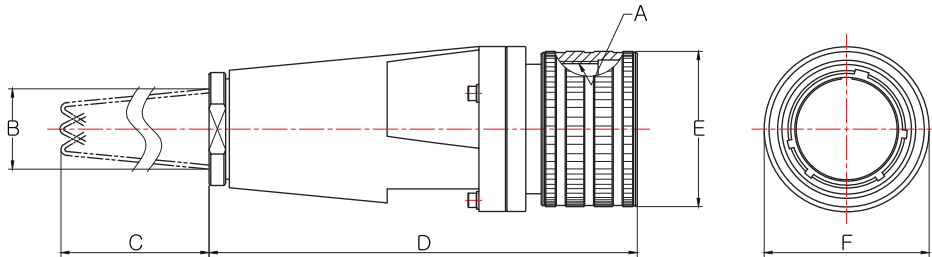
UNIT: mm

Shell Size	A Thread Class 2B	ØB +0.27 -0.50	C +0.41 -0.00	D ±0.79 -0.005	□E (BSC)	ØF ±0.12
28	2.000-1428P-2857L	50.80	55.58	90.53	46.84	4.50
32	2.250-1428P-2857L	57.15	55.58	90.53	52.37	5.31
44	3.000-1428P-2857L	79.38	64.31	100.84	71.42	7.14
52	3.500-1428P-2857L	92.08	64.31	100.84	80.16	7.14

All dimensions for reference only.

JW90556

Straight plug



UNIT: mm

Shell Size	Arrangement Number	A Thread Class 2B .1428~.2857L Double stub	ØB Cable Range	C Approx Free Length	D Max	ØE Max	ØF Max																																		
28	-08,-12	2.000-1428P-2857L	26.59-23.42	182.58	207.98	58.72	61.95																																		
	-13		28.70-25.53					32	-04	2.250-1428P-2857L	24.61-21.44	182.58	207.98	65.07	68.30	-05,-12	28.70-25.53	-13	34.09-30.91	-02	33.32-30.15	-03	36.53-33.35	44	-12	3.000-1428P-2857L	38.51-35.33	271.48	258.37	89.89	93.14	-13	42.47-39.29	-51	44.04-40.87	-52	38.74-36.45	52	-12	3.500-1428P-2857L	59.13-55.45
32	-04	2.250-1428P-2857L	24.61-21.44	182.58	207.98	65.07	68.30																																		
	-05,-12		28.70-25.53																																						
	-13		34.09-30.91																																						
	-02		33.32-30.15																																						
	-03		36.53-33.35																																						
44	-12	3.000-1428P-2857L	38.51-35.33	271.48	258.37	89.89	93.14																																		
	-13		42.47-39.29																																						
	-51		44.04-40.87																																						
	-52		38.74-36.45																																						
52	-12	3.500-1428P-2857L	59.13-55.45	436.58	282.17	102.01	105.84																																		
	-13		62.31-58.62																																						

All dimensions for reference only

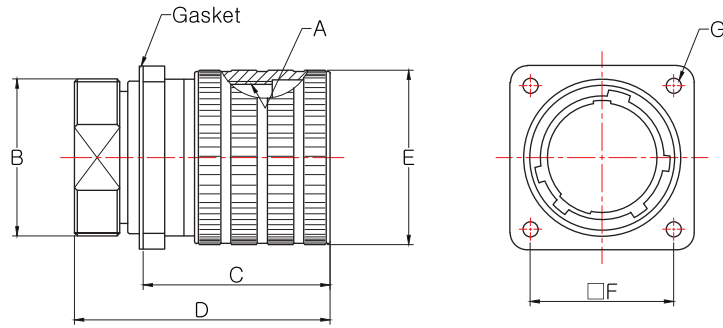
Contact brushings MS3348 are supplied as part of connector as required.

JW22992 Class L series

MIL-DTL-22992 Class L Style

JW90558

Wall mount plug with coupling ring
(Equipment end)



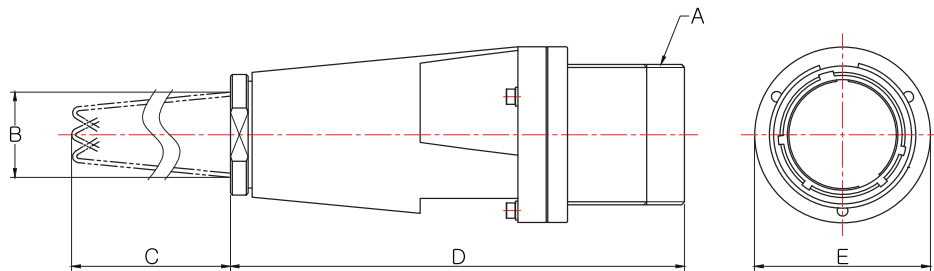
UNIT: mm

Shell Size	A Thread Class 2B .1428~.2857L Double stub	ØB +0.28 -0.51	C +0.15 -0.00	D ±0.79	ØE Max	□F (BSC)	ØG ±0.12
28	2.000-1428P-2857L	50.80	67.03	91.39	58.72	46.84	4.50
32	2.250-1428P-2857L	57.15	67.03	91.39	65.07	52.37	5.31
44	3.000-1428P-2857L	79.38	76.15	102.08	89.69	71.42	7.14
52	3.500-1428P-2857L	92.08	76.15	102.08	102.01	80.16	7.14

All dimensions for reference only

JW90557

Cable Connecting receptacle
Without coupling ring



UNIT: mm

Shell Size	Arrangement Number	A Thread Class 2B .1428~.2857L Double stub	ØB Cable Range	C Approx Free Length	D Max	ØE Max
28	-08, -12	2.000-1428P-2857L	26.59-24.42	182.58	207.16	61.95
	-13		28.70-25.53			
32	-04	2.250-1428P-2857L	24.61-21.44	182.58	207.16	68.30
	-05, -12		28.70-25.53			
	-13		34.09-30.91	271.48		
	-02		33.32-30.15			
44	-03	3.000-1428P-2857L	36.53-33.35	246.08	257.18	93.14
	-12		38.51-35.33			
	-13		42.47-39.29	322.28		
	-51		44.04-40.87			
52	-52	3.500-1428P-2857L	38.74-36.45	284.18	280.97	105.84
	-12		59.13-55.45			
	-13		62.31-58.62	461.98		

All dimensions for reference only

Contact brushings MS3348 are supplied as part of connector as required.

JW22992 Class L series

MIL-DTL-22992 Class L Style

Accessories

Contacts

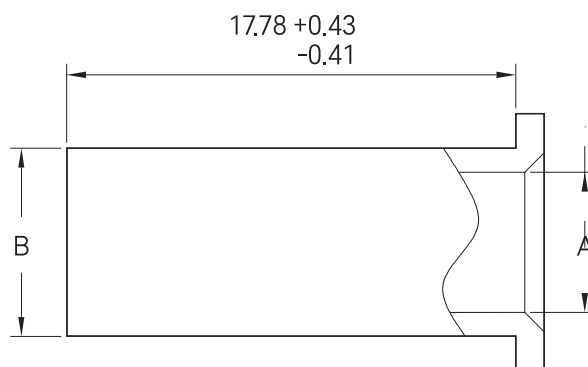
UNIT: mm

Socket MS Part Number	Pin MS Part Number	Contact Size	Wire Well Size
M39029/49-335	M39029/48-327	4/0	4/0
	M39029/48-328	4/0N	4/0
M39029/49-333	M39029/48-323	1/0	1
	M39029/48-324	1/0N	1
M39029/49-331	M39029/48-320	4	4
	M39029/48-321	4N	4
M39029/49-329	M39029/48-317	6	6
	M39029/48-318	6N	6
M39029/49-332	M39029/48-322	4G	4
M39029/49-330	M39029/48-319	6G	6

JW3348 Contact bushing

UNIT: mm

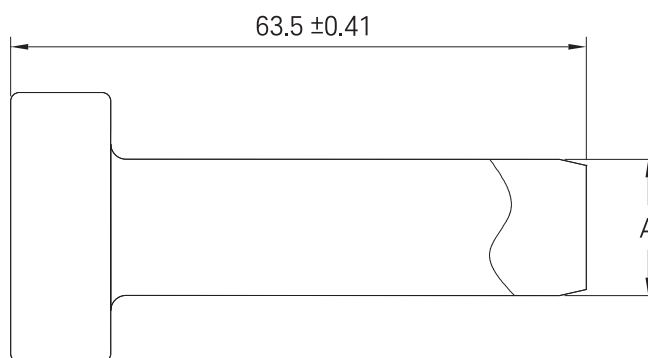
MS Part Number	Contact Wire Barrel Size (Ref)	Wire Size (Ref)	A Dia +.010 -0.003	B Dia +.002 -0.003
JW3348-1 - 2L	1	2	9.12	10.06
JW3348-4 - 5L	4	5	6.35	6.91
JW3348-4 - 6L	4	6	5.72	6.91
JW3348-6 - 8L	6	8	4.70	5.72
JW3348-6 - 9L	6	9	3.94	5.72
JW3348-1 - 6L	1	6	5.72	10.06
JW3348-4 - 8L	4	8	4.70	6.91
JW3348-6 - 10L	6	10	3.45	5.72
JW3348-4/0-2/0L	4/0	2/0	12.70	15.98



JW90562 Contact removal tool

UNIT: mm

MS Part Number	Contact Size	A Dia +.000 -0.002
JW90562-1	4/0	20.07
JW90562-2	2/0	17.68
JW90562-3	1/0	14.17
JW90562-4	2	11.73
JW90562-5	4	9.55
JW90562-6	6	8.99

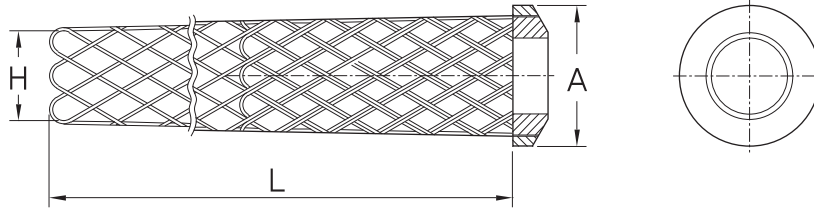


JW22992 Class L series

MIL-DTL-22992 Class L Style

Accessories

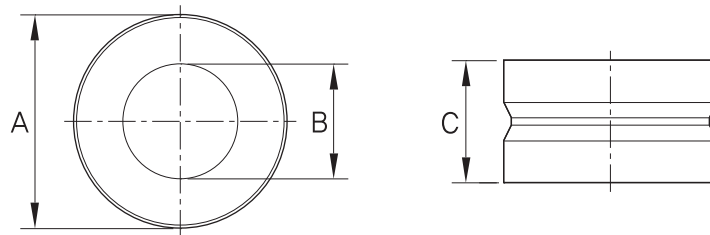
JW90561 Cable strain relief



UNIT: mm

MS Part Number	Arrangement Number	A Dia ±0.03 -0.18	H Dia Cable Range		L ±0.03 -0.18
			Max	Min	
JW90561-2	28-13, 32-12	45.64	29.08	25.48	203.20
JW90561-4	28-02, -04	45.64	21.44	17.48	190.50
JW90561-12	28-12	45.64	26.59	22.63	203.20
JW90561-13	32-13	45.64	34.09	30.10	241.30
JW90561-15	44-12	56.77	38.51	34.54	292.10
JW90561-16	44-13	56.77	42.88	38.89	342.90
JW90561-17	52-12	74.22	59.13	51.79	457.20
JW90561-18	52-13	74.22	63.50	56.16	482.60
JW90561-19	44-51	56.77	44.45	39.37	317.50
JW90561-20	44-52	56.77	40.08	34.93	304.80
JW90561-21	44-56	56.77	29.46	25.65	203.20

JW23747 Cable sealing gland



UNIT: mm

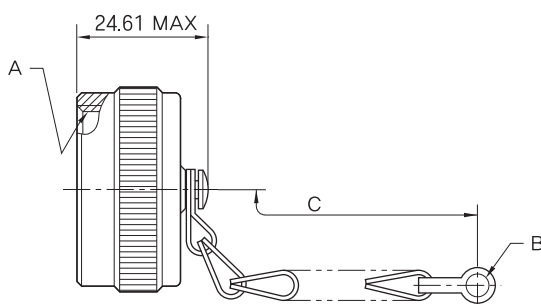
MS Part Number	Arrangement Number	A Dia ±0.03 -0.18	B Dia ±0.03 -0.18	C ±0.03	Min Cable Dia Ref.
JW23747-2	28-13, 32-05, -12	45.84	28.702	26.26	25.52
JW23747-12	28-12	45.84	26.59	26.26	23.41
JW23747-13	32-13	45.84	34.08	26.26	30.91
JW23747-14	44-03	56.94	36.52	29.46	33.35
JW23747-15	44-12	56.94	38.50	29.46	35.33
JW23747-16	44-13	56.94	42.46	29.46	39.29
JW23747-18	52-12	74.34	59.13	32.61	55.44
JW23747-19	52-13	74.34	62.30	32.61	58.62
JW23747-20	44-51	56.94	44.04	29.46	40.86
JW23747-21	44-52	56.94	39.67	29.46	36.49
JW23747-22	44-56	56.94	29.21	29.46	26.03

JW22992 Class L series

MIL-DTL-22992 Class L Style

JW90563 Protective covers

Used with : MS90555 Wall mount receptacle
MS90557 Cable connecting receptacle



UNIT: mm

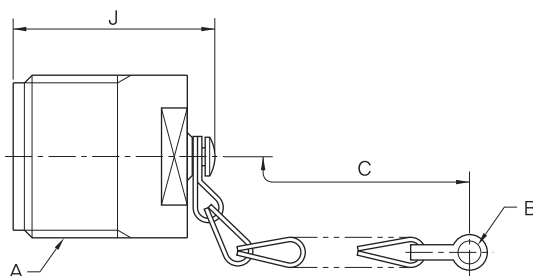
MS Part Number	Use with Shell size	A Thread Class 2B .1428P-.2857L Double Stub	B Dia		C
			For MS90555	For MS90557	
JW90563-1()	28	2.000-1428P-2857L	4.50	4.50	152.40
JW90563-3()	32	2.250-1428P-2857L	5.31	-	114.30
JW90563-4()	32	2.250-1428P-2857L	-	4.50	152.40
JW90563-7()	44	3.000-1428P-2857L	7.14	7.14	190.50
JW90563-11()	52	3.500-1428P-2857L	7.14	7.14	190.50

All dimensions for reference only.

To complete MS part number, add letter C (Conductive) for AC or N (Non-conductive) for DC connector assemblies.

JW90564 protective covers

Used with : MS90556 Straight plug
MS90558 Wall mount plug



UNIT: mm

MS Part Number	Use with Shell size	A Thread Class 2B .1428P-.2857L Double Stub	B Dia Ref		C Approx	J Max
			For MS90556	For MS90558		
JW90564-1()	28	2.000-1428P-2857L	4.5	4.5	190.50	57.55
JW90564-3()	32	2.250-1428P-2857L	-	5.31	152.40	57.55
JW90564-4()	32	2.250-1428P-2857L	4.5	-	190.50	57.55
JW90564-7()	44	3.000-1428P-2857L	7.13	7.13	215.90	63.09
JW90564-11()	52	3.500-1428P-2857L	7.13	7.13	215.90	63.09

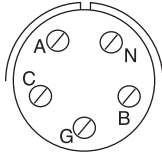
All dimensions for reference only.

To complete MS part number, add letter C (Conductive) for AC or N (Non-conductive) for DC connector assemblies.

JW22992 Class L series

MIL-DTL-22992 Class L Style Contact arrangements

Shell Size 28, 40 amp rating



28-12, 28-13
Three phase AC, 4 wire, grounding

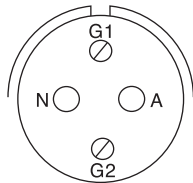
Cable:

28-12	IPCEA, type G, round, four #8 conductors
28-13	CO-04 HDF, (4/6-4/12R) 1090 per MIL-C-3432

Contacts:

Position	Size	Pin M39029/48	Pin M39029/48
A, B, C	6	-317	-329
N, G	6N	-318	-329

Shell Size 32, 60 amp rating



32-04, 32-05
Single phase AC, 2 wire, grounding

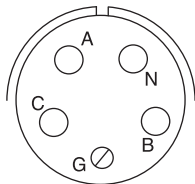
Cable:

32-04	IPCEA, type G, round, two #6 conductors
32-05	CO-02 HDF, (2/4-2/8R) 1100 per MIL-C-3432

Contacts:

Position	Size	Pin M39029/48	Pin M39029/48
A	4	-320	-331
N	4N	-321	-331
G1, G2	6N	-318	-329

Shell Size 32, 60 amp rating



32-12, 32-13
Three phase AC, 4 wire, grounding

Cable:

32-12	IPCEA, type G, round, four #6 conductors
32-13	CO-04 HDF, (4/4-4/12R) 1290 per MIL-C-3432

Contacts:

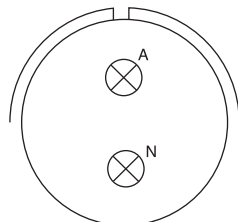
Position	Size	Pin M39029/48	Socket M39029/49
A, B, C	4	-320	-331
N	4N	-321	-331
G	6N	-318	-329

Cable:

44-02	IPCEA, type W, round, two #2 conductors
44-03	CO-20 HDF, (2/1) 1385 per MIL-C-3432

Contacts:

Position	Size	Pin M39029/48	Socket M39029/49
A	1/0-1	-323	-333
N	1/0N-1	-324	-333



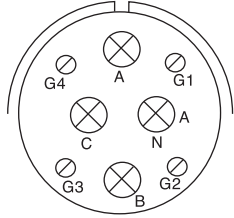
44-02, 44-03
28Volts DC, 2 wire

CONTACT SIZE CODE ○ = #6 ○ = #4 ⊗ = #1/0 ⊙ = #4/0

JW22992 Class L series

MIL-DTL-22992 Class L Style Contact arrangements

Shell Size 44, 100 amp rating



44-12, 44-13
Three phase AC, 4 wire, grounding

Cable:

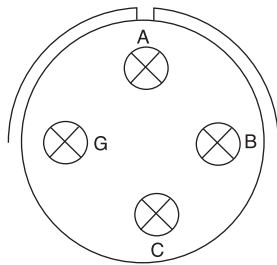
44-12	IPCEA, type G, round, four #2 conductors
44-13	CO-04 HDF, (4/1-4/8R) 1620 per MIL-C-3432

Contacts:

Position	Size	Pin M39029/48	Pin M39029/48
A, B, C	1/0-1	-323	-333
N	1/0N-1	-324	-333
G1, G2, G3, G4	6G	-319	-330

Shell Size 44, 100 amp rating

For Navy Ground Support Equipment use only



44-50, 44-51, 44-52, 44-56
Three phase AC, 4 wire, grounding

44-50	Available in MS90555 & MS90558 only 4 each # 1 conductors
-------	--

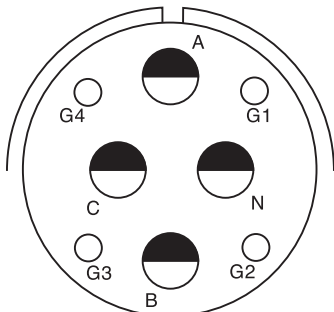
Cable:

44-51	Available in MS90556 & MS90557 only IPCEA, type W, round, four # 1 conductors
44-52	Available in MS90556 only IPCEA, type W, round, four # 2 conductors
44-56	Available in MS90556 only IPCEA, type W, round, four # 6 conductors

Contacts:

Position	Size	Pin M39029/48	Pin M39029/48
A, B, C	1/0-1	-323	-333
G	1/0N-1	-324	-333

Shell Size 52, 200 amp rating



52-12, 52-13
Three phase AC, 4 wire, grounding

Cable:

52-12	IPCEA, type G, round, four #4/0 conductors
52-13	CO-04 HDF, (4/0000-4/4R) 2380 per MIL-C-3432

Contacts:

Position	Size	Pin M39029/48	Pin M39029/48
A, B, C	4/0	-327	-335
N	4/0N	-328	-335
G1, G2, G3, G4	4G	-322	-332

CONTACT SIZE CODE ○ = #6 ○ = #4 ⊗ = #1/0 ◐ = #4/0

HERMETIC CONNECTOR

Hermetic connector is used for electron signal connection between sealed inside equipment and outside power connection. It has outstanding properties such as high sealed with 1×10^{-9} torr, high temperature, high pressure tolerance and oil tolerance. For the insulator of this connector is made of special glass or ceramics, are applied to melting furnace, power circuit breaker, submarine, gas control equipment and transformer safety.

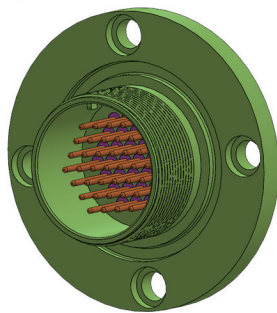
Hermetic Connector는 기밀 상태의 장비 내부와 외부의 전기 접속과 전자신호 접속용으로써 10^{-9} atm.cc/sec의 높은 기밀성과 고온 고압력에 견딜수 있는 물론 내유성의 특성을 갖고 있습니다. 동 커넥터는 특수 유리 또는 세라믹을 절연재로 사용하는 것으로서 용해로, 전원 차단기, 잠수함, 가스 제어 시스템, 변압기 안전장치 등으로 활용되고 있는 제품입니다.

성능

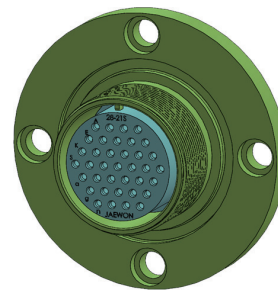
- 기밀성(Hermiticity) : 1×10^{-9} torr(Helium Leak Rate) (Helium Gas 3 Atmospheric pressure)
- 내전압(Withstand voltage) : AC 2000V Max. 60 Sec
- 보호피막처리(Protective film) : Nickel Plating 3μ m Min.
- 절연체 Insulator : Alkali-barium Glass
- 절연저항(Insulation Resistance) : Above 5000MΩ at DC 500V
- 사용온도(Workable temperature) : $-55^{\circ}\text{C} \sim +175^{\circ}\text{C}$
- Housing : Mild steel, Stainless steel, Hastelloy, alloys 기타금속(etc.)
- Terminal : Ni 52 Alloy, Sus446

Summary of Hermetic Connector

• Male / Female Type

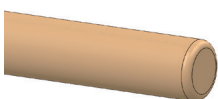
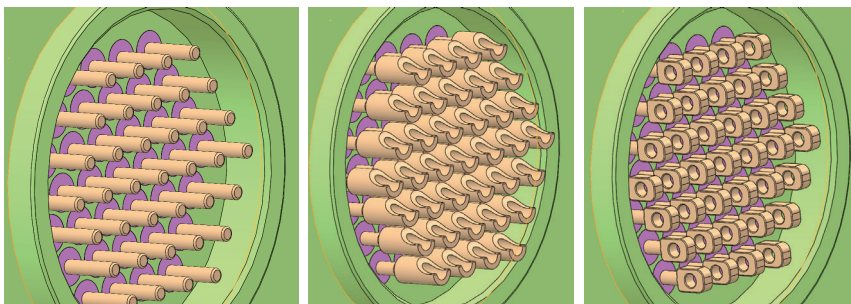


Male (Pin)

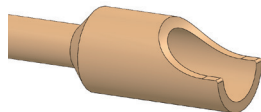


Female (Socket)

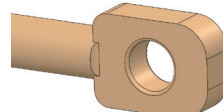
• Wiring type



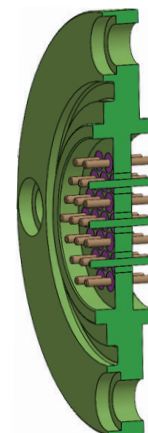
Straight



Solder Cup



Solder Tab Terminal



Dual Wiring

• Product Type

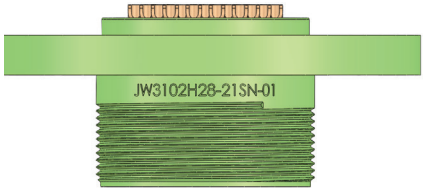
- JW5015 Connector type : all Contact Arrangement
- JVB Connector type : Same as JW5015 Connector Contact Arrangement
- JW26482-I Connector type : all Contact Arrangement

HERMETIC CONNECTOR

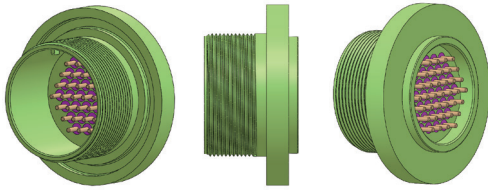
JW5015 Type

JAEWON
 SHELL STYLE
 3102 - Box Mounting Receptacle
 5003 - Wall Mounting Receptacle, Frange
 5004 - Box Mounting Receptacle, Frange
 5005 - Frange Type
 CLASS
 Hermetic Sealed
 Shell Size
 See Table (10SL~36)

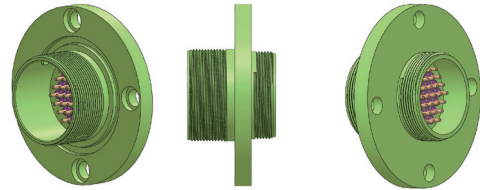
Wiring Type
 01 - Straight
 02 - Solder Cup
 03 - Solder tab terminal
 Alternate Insert Position
 N, W, X, Y, Z
 Contact Style
 P - Pin, S - Socket
 Insert Arrangement
 MIL-STD-1651 (JW5015)



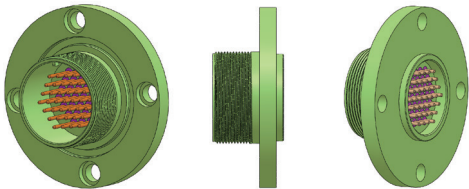
JW3102H



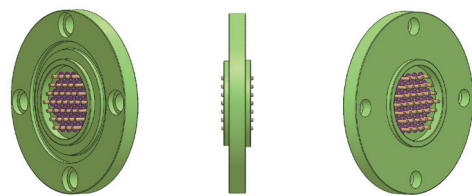
JW5003H



JW5004H



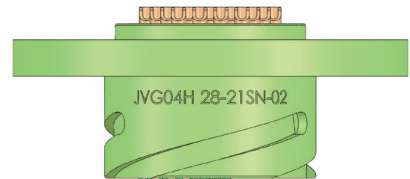
JW5005H



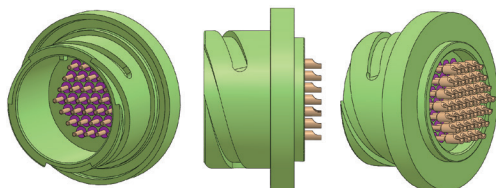
JWB Type

JAEWON VG
 SHELL STYLE
 02 - Box Mounting Receptacle
 03 - Wall Mounting Receptacle, Frange
 04 - Box Mounting Receptacle, Frange
 CLASS
 Hermetic Sealed
 Shell Size
 See Table (10SL~36)

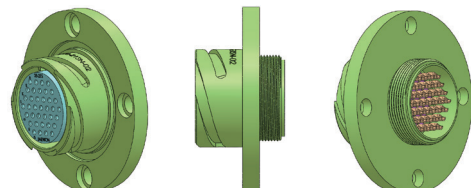
Wiring Type
 01 - Straight
 02 - Solder Cup
 03 - Solder tab terminal
 Alternate Insert Position
 N, W, X, Y, Z
 Contact Style
 P - Pin, S - Socket
 Insert Arrangement
 MIL-STD-1651 (JW5015)



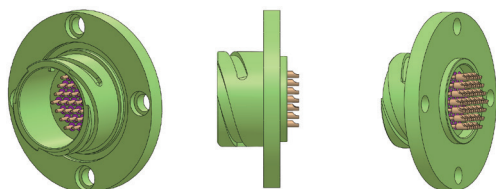
JWB02H



JWB03H



JWB04H



HERMETIC CONNECTOR

JW26482-1 TYPE

JW 0000 H 12 - 10 S N - 01

JAEWON
SHELL STYLE
3112 - Box Mounting Receptacle
2603 - Wall Mounting Receptacle, Frange
2604 - Box Mounting Receptacle, Frange

CLASS
Hermetic Sealed

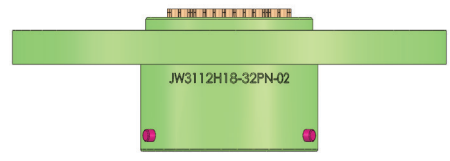
Shell Size
See Table (8~22)

Wiring Type
01 - Straight
02 - Solder Cup
03 - Solder tab terminal

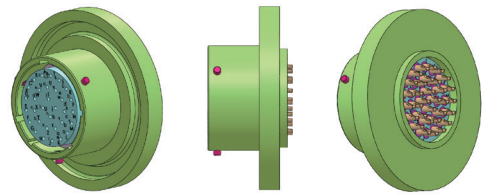
Alternate Insert Position
N, W, X, Y, Z

Contact Style
P - Pin, S - Socket

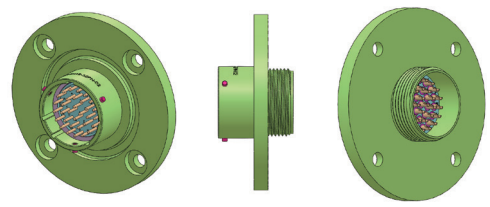
Insert Arrangement
MIL-STD-1669 (JW26482-1)



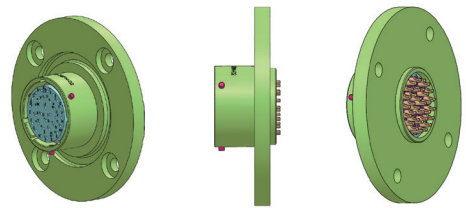
JW3112H



JW2603H



JW2604H



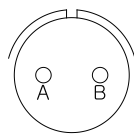
the other as Hermetic Connector



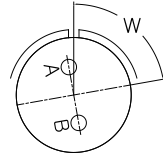
HERMETIC CONNECTOR

Alternate Insert Positions (Insulator Rotation Angle)

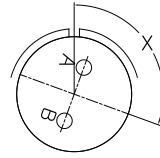
Key way View(키 보기) : Into front face of pin(+) Insert or rear of socket(-) Insert (핀(+) 삽입 전면측 또는 소켓(-) 삽입 후면측)



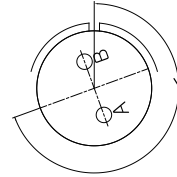
NORMAL Position



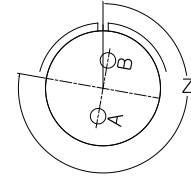
Position "W"



Position "X"



Position "Y"



Position "Z"

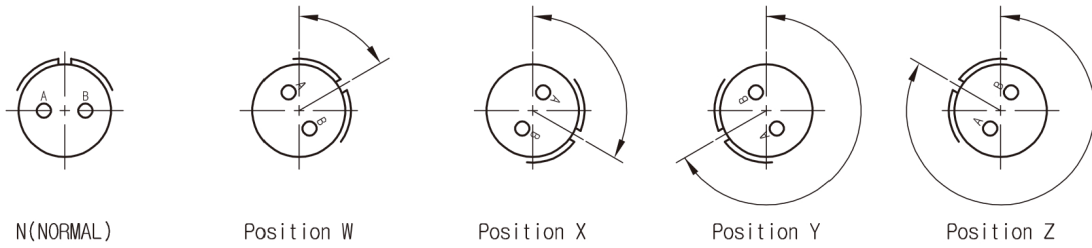
Shell Size	Contact Arrangement	Wire Size	Service Rating	Alternate Positions-Degrees				
				W	X	Y	Z	
10SL	10SL-3	3#16	A	-	-	-	-	
	10SL-4	2#16	A	-	-	-	-	
	14S-2	4#16	Inst.	-	120	240	-	
14S	14S-3	5#16	Inst.	-	110	-	-	
	14S-4	3#16	A	90	180	-	-	
	14S-5	2#16	A	70	145	-	-	
16S	16S-01	8#18	A	-	-	-	-	
	16S-1	7#16	A	80	-	-	280	
	16S-4	2#16	D	35	110	250	325	
	16S-5	3#16	A	70	145	215	290	
	16S-6	3#16	A	90	180	270	-	
	16S-8	5#16	A	-	170	265	-	
	16-9	2#16	A	35	110	250	325	
		2#12		-	-	-	-	
	16	16-10	3#12	A	90	180	270	-
16-11		2#12	A	35	110	250	325	
16-13		2#12	A	35	110	250	325	
16-1		10#16	A(B, C, F, G)	70	145	215	290	
			Inst. (all others)					
		18-3	2#162	D	35	110	250	325
		18-4	4#16	D	35	110	250	325
		18-5	1#16	D	80	110	250	280
			2#12					
		18-8	7#16	A	70	-	-	290
			1#12					
18		18-9	5#16	Inst.	80	110	250	280
			2#12					
		18-10	4#12	A	-	120	240	-
		18-11	5#12	A	-	170	265	-
	18-12	6#16	A	80	-	-	280	
	18-13	3#12	A	80	110	250	280	
		1#8						
	18-15	4#12	A	-	120	240	-	
	18-22	3#16	D	70	145	215	290	
	20-3	3#12	D	70	145	215	290	
	20-4	4#12	D	45	110	250	-	
	20-7	8#16	A(C-F)	80	110	250	280	
			D(A, B, G, H)					
		20-8	4#16	Inst.	80	110	250	280
			2#8					
20	20-14	3#12	A	80	110	250	280	
		2#8						
	20-15	7#12	A	80	-	-	280	
	20-16	7#16	A	80	110	250	280	
		2#12						
	20-17	1#16	A	90	180	270	-	
		5#12						
	20-18	6#16	A	35	110	250	325	
		3#12						
	20-19	3#8	A	90	180	270	-	
	20-22	3#16	A	80	110	250	280	
		3#8						
	20-23	2#8	A	35	110	250	325	
	20-24	2#16	A	35	110	250	325	
		2#8						
22	20-27	14#16	A	35	110	250	325	
	20-29	17#16	A	80	-	-	280	
	20-33	11#16	A	-	-	-	-	
	22-2	3#8	D	70	145	215	290	
	22-4	2#12	A	35	110	250	325	
		2#8						
	22-5	4#16	D	35	110	250	325	
		2#12						
	22-6	1#16	D	80	110	250	280	
		2#8						
	22-9	3#12	E	70	145	215	290	
	22-10	4#16	E	35	110	250	325	
	22-11	2#16	B	35	110	250	325	
	22-12	3#16	D	80	110	250	280	
		2#8						
22-13	1#16	A(A-D)	35	110	250	325		
	4#12	D(E)						
22-14	19#16	A	80	110	250	280		
22-15	1#16	A(A-C, E, F)	80	110	250	280		
	5#12	E(D)						
22-17	8#16	D(A)	80	110	250	280		
	1#12	A(all others)						
22-18	8#16	A(C-E)	80	110	250	280		
		A(all others)						
22-19	14#16	A	80	110	250	280		
22-20	9#16	A	35	110	250	325		

Shell Size	Contact Arrangement	Wire Size	Service Rating	Alternate Positions-Degrees			
				W	X	Y	Z
22	22-22	4#8	A	-	110	250	-
	22-23	8#12	D(H)	35	-	250	-
				A(all others)			
22	*22-27	8#16	D(J)	80	-	250	280
		1#8	A(all others)				
	22-28	7#12	A	80	-	-	280
	24-2	7#12	D	80	-	-	280
	*24-5	16#16	A	80	110	250	280
	24-6	8#12	D(A, G, H)	80	110	250	280
			A(all others)				
	24-7	14#16	A	80	110	250	280
		2#12					
	24-9	2#4	A	35	110	250	325
	24-10	7#8	A	80	-	250	280
	24-11	6#12	A	35	110	250	325
		3#8					
	24-12	3#12	A	80	110	250	280
		2#4					
24-20	9#16	D	80	110	250	280	
	2#12						
24-22	4#8	D	45	110	250	-	
24-27	7#16	E	80	-	-	280	
24-28	24#16	Inst.	80	110	250	280	
28-1	6#12	D(A, E, J)	80	110	250	280	
	3#8	AA(all others)					
*28-2	12#16	D	35	110	250	325	
	2#12						
28-7	2#4	D	35	110	250	325	
28-9	6#16		80	110	250	280	
	6#12	D					
28-10	3#12	D(G)	80	110	250	280	
	2#8	A(all others)					
	2#4						
28-11	18#16	A	80	110	250	280	
	4#12						
28-12	26#16	A	90	180	270	-	
28-15	35#16	A	80	110	250	280	
28-16	20#16	A	80	110	250	280	
28-17	15#16	A(A-L), B(X)	80	110	250	280	
		D(M-P)					
*28-19	6#16	A(C, E, G, J, K, L)	80	110	250	280	
	4#12	B(H, M), D(A, B)					
28-20	4#16	A	80	110	250	280	
	10#12						
28-21	37#16	A	80	110	250	280	
*28-22	3#16	D	70	145	215	290	
	3#4						
*32-1	3#12	E(A)	80	110	250	280	
	2#0	D(all others)					
32-6	16#16	A	80	110	250	280	
	2#12						
	3#8						
	2#4						
32-7	28#16	Inst. (A, B, H, J)	80	110	235	280	
	7#12	A(all others)					
32-8	24#16	A	80	110	235	280	
	6#12						
*32-9	12#16	D	80	110	250	280	
	2#4						
32-15	2#0	D	35	110	250	280	
	6#12						
32-17	4#4	D	45	110	250	-	
36-4	3#0	A(B, C)	70	145	215	290	
		D(A)					
36-5	4#0	A	-	120	240	-	
36-6	4#4	A	35	110	250	325	
	2#0						
36-7	40#16	A	80	110	250	280	
	7#12						
36-8	46#16	A	80	110	250	280	
	1#12						
36-9	14#16	A	80	125	235	280	
	14#12						
	2#8						
	1#4						
36-10	48#16	A	80	125	235	280	
36-14	6#16	D	90	180	270	-	
	5#12						
	5#8						
*36-15	35#16	D(M)	60	125	245	305	
		A(all others)					

HERMETIC CONNECTOR

JW26482-I H Type Alternate Insert Position (MIL-DTL-26482-I Style)

Insert Availability and Identification



View looking into front face of pin insert or rear of socket insert.

26482-I Insert Positions

Size	Contact Arrangement	Service Rating	Total Contacts	Contact Size			Alternate Insert Positions(Degree)			
				20	16	12	W	X	Y	Z
8	8-2	I	2	2			58	122		
	8-3	I	3	3			60	210		
	8-4	I	4	4			45			
	8-33	I	3	3			90			
10	10-6	I	6	6			90			
	10-98	I	5	5			90	180	240	270
12	12-3	II	3		3				180	
	12-8	I	8	8			90	112	203	292
	12-10	I	10	10			60	155	270	295
14	14-5	II	5		5		40	92	184	273
	14-12	I	12	8	4		43	90		
	14-15	I	15	14	1		17	110	155	234
	14-18	I	18	28			15	90	180	270
	14-19	I	19	19			30	165	315	
16	16-8	II	8		8		54	152	180	331
	16-23	I	23	22	1		158	270		
	16-26	I	26	26			60		275	338
	16-99	I	23	21	2		66	156	223	340
18	18-11	II	11		11		62	119	241	340
	18-30	I	30	29	1		180	193	285	350
	18-32	I	32	32			85	138	222	265
20	20-16	II	16		16		238	318	333	347
	20-24	I	24	24			70	145	215	290
	20-27	I	27	27			72	144	216	288
	20-39	I	39	37	2		83	144	252	333
	20-41	I	41	41			45	126	225	
22	22-12	I	12			12				
	22-21	II	21		21		16	135	175	349
	22-32	I	32	32			72	145	215	288
	22-34	I	34	34			62	142	218	298
	22-41	I	41	27	14		39	135	264	
	22-55	I	55	55			30	142	226	314

Contact Arrangements is Same as JW5015 (MIL-C-5015) / 핀 배열은 JW5015(MS5015)와 동일

SPECIAL CONNECTOR

Customized SPECIAL CONNECTOR are also available, which are designed to be optimized for conditions such as subminiature size, Big size, EMI Function, Large capacity current, Electric Connection, Electron Signal connection, vibration with stand, Shock withstand, waterproof, withstand salinity etc.

Special Connector는 초소형, 대형, EMI 기능, POWER 접속, 전자 Signal 접속, 방수, 내충격, 내염분 등 다양한 형태와 고기능을 갖는 커넥터로서 Order Spec에 따라 개발 공급 가능



HI-POWER CONNECTOR(Plug)



HI-POWER CONNECTOR(Receptacle)



LARGE CAPACITY CONNECTOR



HI-POWER CONNECTOR



AUDIO CONNECTOR



HI-VOLTAGE CONNECTOR



GUIDE PIN- HERMETIC CONNECTOR



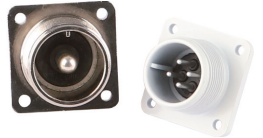
MOLDING CONNECTOR



SPECIAL-1 CONNECTOR



SPECIAL-2 CONNECTOR

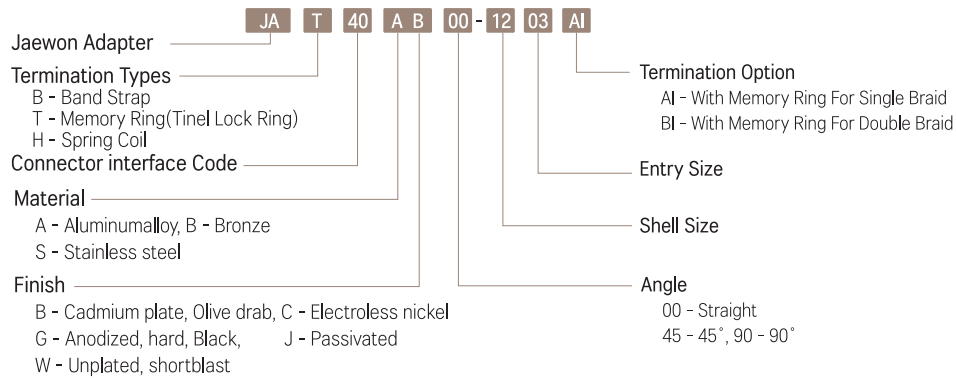


SPECIAL-3 CONNECTOR

ADAPTER

ADAPTER is an Accessory for EMI Cable wiring of Circular Connector Such as MS26482, MS38999 etc.
It is Classified into Memory type Band-Strap type.

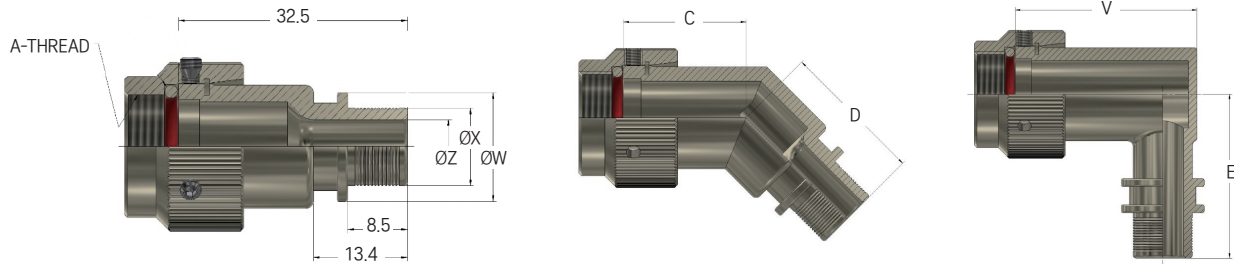
ADAPTER for Circular Connector는 EMI Cable Wiring을 위한 Accessory로서 Memory Ring & Band-Strap type으로 분류한다.



CONNECTOR INTERFACE	INTERFACE CODE
MIL-DTL-5015 Solder M3100, MS3101, MS3106, MS3108, MS3106-Class A, E & R	18
MIL-DTL-26482 Series I Solder MS3110, MS3111, MS3120, MS3121, MS3126, MS3128, MS3116 Without Accessory Teeth	21
MIL-DTL-38999 Series III&IV D38999/20, /24, /26, /40, /46, /47	40
MIL-DTL-38999 Series I & II MS27466-68, MS27472-74, MS27479-81, MS27484, MS27497, MS27652, MS27653, MS27656	41
MIL-DTL-26482 Series II MS3470, MS3471, MS3472, MS3474, MS3475, MS3476	54
MIL-DTL-5015 Crimp MS3400, MS3401, MS3404, MS3406, MS3450, MS3451, MS3454, MS3456	54
MIL-DTL-83723 Series I & II M83723/1 -/8, /13, /14, /26 - /43, /48, /49, /65 -/78, /82-/87, /91, /92, /95, /97, /98	54
VG95234(JWB)	58
VG95234(JWB, CIR)	64

ADAPTER

Memory Ring Type



CODE 18 MIL-C-5015(MS3100)

Shell Size

UNIT: mm

Code No.	Shell Size	Connector Shell Size	A Thread (Class : 2B)	C	D Max	E	Max Entry Size
08	8S	8S	7/16-28UNEF	20.3	23.4	31.2	04
10	10S	10S	1/2-28UNEF	21.1	24.1	31.2	06
11	10SL	10SL	9/16-24UNEF	21.1	24.1	31.2	07
12	12 & 12S	12 & 12S	5/8-24UNEF	21.1	24.1	31.2	08
14	14 & 14S	14 & 14S	3/4-20UNEF	21.8	24.9	33.0	10
16	16 & 16S	16 & 16S	7/8-20UNEF	22.6	25.9	36.1	12
18	18	18	1-20UNEF	23.4	26.7	37.6	12
20	20	20	1 1/8-18UNEF	24.1	27.4	39.4	16
22	22	22	1 1/4-18UNEF	24.9	28.2	40.9	18
24	24	24	1 3/8-18UNEF	24.9	28.2	42.4	20
28	28	28	1 5/8-18UNEF	27.4	29.7	47.2	24
32	32	32	1 7/8-16UN	28.2	31.2	48.8	24
36	36	36	2 1/8-16UN	31.2	32.3	52.1	24

Entry Size

UNIT: mm

Code No.	Entry Size	V Max	ØW	ØX	ØZ
04	04	31.5	13.9	9.47	6.3
05	05	34.3	15.5	11.05	7.9
06	06	35.8	17.1	12.65	9.5
07	07	37.3	18.7	14.21	11.0
08	08	39.1	20.3	15.81	12.7
10	10	41.4	23.5	18.97	15.8
12	12	45.5	26.7	22.15	19.0
14	14	48.8	29.8	25.31	22.2
16	16	51.8	33.0	28.48	25.4
18	18	54.9	36.2	31.66	28.5
20	20	58.2	39.4	34.83	31.7
22	22	66.8	42.5	37.97	34.9
24	24	70.1	45.7	41.15	38.1

CODE 21 MIL-C-26482 Series I

Shell Size

UNIT: mm

Code No.	Shell Size	Connector Shell Size	A Thread (Class : 2B)	C	D Max	E	Max Entry Size
08	8S	8S	7/16-28UNEF	21.6	23.1	29.0	04
10	10S	10S	9/16-24UNEF	22.4	23.9	30.5	06
12	12	12	11/16-24UNEF	23.1	24.6	32.3	08
14	14	14	13/16-20UNEF	23.4	24.9	33.5	10
16	16	16	15/16-20UNEF	24.1	25.7	34.8	12
18	18	18	1 1/16-18UNEF	24.4	25.9	36.3	12
20	20	20	1 3/16-18UNEF	25.1	26.7	38.1	14
22	22	22	1 5/16-18UNEF	25.7	27.4	39.6	16
24	24	24	7/16-18UNS	26.2	27.7	40.9	18

Entry Size

UNIT: mm

Code No.	Entry Size	V Max	ØW	ØX	ØZ
04	04	31.0	14.0	9.5	6.3
05	05	32.8	15.5	11.1	7.9
06	06	34.3	17.1	12.7	9.5
07	07	35.8	18.7	14.2	11.0
08	08	37.3	20.3	15.8	12.7
10	10	40.6	23.5	19.0	15.8
12	12	43.7	26.7	22.15	19.0
14	14	47.0	29.8	25.31	22.2
16	16	50.0	33.0	28.48	25.4
18	18	53.3	36.2	31.66	28.5

CODE 40 MIL-C-38999 Series III and IV

Shell Size

UNIT: mm

Code No.	Shell Size	Connector Shell Size	A Thread (Class : 2B)	C	D Max	E	Max Entry Size
08	9	9	M12x1.0	20.8	23.1	27.9	04
10	11	11	M15x1.0	21.3	23.9	30.5	06
12	13	13	M18x1.0	22.1	24.6	32.0	08
14	15	15	M22x1.0	22.6	24.9	34.0	10
16	17	17	M25x1.0	23.4	25.7	35.6	12
18	19	19	M28x1.0	24.1	25.9	36.8	12
20	21	21	M31x1.0	24.6	26.7	38.4	14
22	23	23	M34x1.0	25.4	27.4	39.9	16
24	25	25	M37x1.0	25.9	27.2	42.4	18

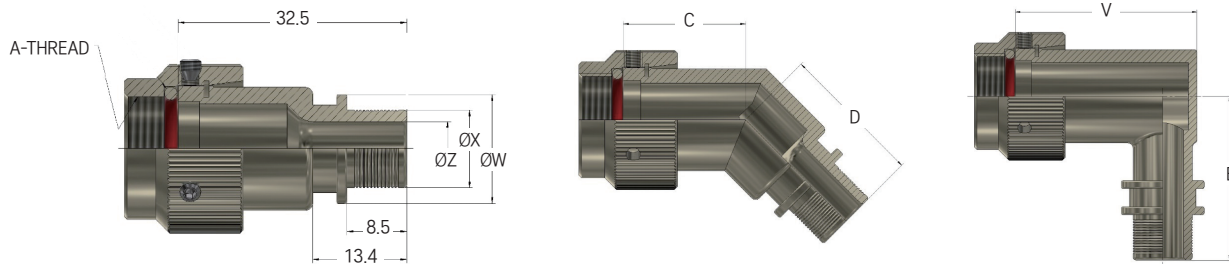
Entry Size

UNIT: mm

Code No.	Entry Size	V Max	ØW	ØX	ØZ
04	04	31.2	14.0	9.47	6.3
05	05	32.8	15.5	11.05	7.9
06	06	34.3	17.1	12.65	9.5
07	07	36.1	18.7	14.21	11.0
08	08	37.6	20.3	15.81	12.7
10	10	40.6	23.5	18.97	15.8
12	12	43.9	26.7	22.15	19.0
14	14	47.0	29.8	25.31	22.2
16	16	50.8	33.0	28.48	25.4
18	18	54.1	36.2	31.66	28.5
20	20	57.2	39.4	34.83	31.7

ADAPTER

Memory Ring Type



CODE 41 MIL-C-38999 Series I and II

Shell Size

Code No.	Shell Size	Connector Shell Size		A Thread (Class : 2B)	C	D Max	E	Max Entry Size
		Series I	Series II					
41	08	9	8	7/16-28UNEF	17.5	22.6	27.9	04
	10	11	10	9/16-24UNEF	18.3	23.4	30.5	06
	12	13	12	11/16-24UNEF	18.3	24.1	32.0	08
	14	15	14	13/16-20UNEF	19.3	24.1	34.0	10
	16	17	16	15/16-20UNEF	20.1	24.9	35.6	12
	18	19	18	11/16-18UNEF	20.6	25.7	36.8	12
	20	21	20	1 3/16-18UNEF	21.3	26.4	38.4	14
	22	23	22	1 5/16-18UNEF	22.1	27.2	39.9	16
	24	25	24	1 7/16-18UNS	22.6	27.2	42.4	18

UNIT: mm

Entry Size

Code No.	Entry Size	V Max	ØW	ØX	ØZ
41	04	27.2	14.0	9.47	6.3
	05	28.7	15.5	11.05	7.9
	06	30.2	17.1	12.65	9.5
	07	31.8	18.7	14.21	11.0
	08	33.5	20.3	15.81	12.7
	10	36.6	23.5	18.97	15.8
	12	39.9	26.7	22.15	19.0
	14	42.9	29.8	25.31	22.2
	16	46.2	33.0	28.48	25.4
	18	49.3	36.2	31.66	28.5

UNIT: mm

CODE 54 MIL-C-5015(MS3400), MIL-C-26482 Series II

Shell Size

Code No.	Shell Size	Connector Shell Size		A Thread (Class : 2B)	C	D Max	E	Max Entry Size
		26482-II	MIL-C-5015					
54	08	8	8 & 8S	1/2-20UNF	17.5	22.6	27.9	04
	10	10	10, 10S & 10SL	5/8-24UNEF	18.3	23.4	30.5	06
	12	12	12 & 12S	3/4-20UNEF	18.3	24.1	32.0	08
	14	14	14 & 14S	7/8-20UNEF	19.3	24.1	34.0	10
	16	16	16 & 16S	1 -20UNEF	20.1	24.9	35.6	12
	18	18	18	1 1/16-18UNEF	20.6	25.7	36.8	12
	20	20	20	1 3/16-18UNEF	21.3	26.4	38.4	14
	22	22	22	1 5/16-18UNEF	22.1	27.2	39.9	16
	24	24	24	1 7/16-18UNS	22.6	27.2	42.4	18

UNIT: mm

Entry Size

Code No.	Entry Size	V Max	ØW	ØX	ØZ
54	04	28.4	14.0	9.47	6.3
	05	30.2	15.5	11.05	7.9
	06	31.8	17.1	12.65	9.5
	07	33.3	18.7	14.21	11.0
	08	35.1	20.3	15.81	12.7
	10	38.1	23.5	18.97	15.8
	12	41.1	26.7	22.15	19.0
	14	44.5	29.8	25.31	22.2
	16	47.8	33.0	28.48	25.4
	18	50.8	36.2	31.66	28.5

UNIT: mm

CODE 58 VG95234 Series (JWB)

Shell Size

Code No.	Shell Size	Connector Shell Size	A Thread (Class : 2B)	C	D Max	E	Max Entry Size
58	10	10SL	9/16-24UNEF	19.5	22.5	27.0	05
	12	12 & 12S	5/8-24UNEF	21.5	22.5	28.0	06
	14	14 & 14S	3/4-20UNEF	22.5	23.0	28.5	07
	16	16 & 16S	7/8-20UNEF	23.5	23.5	30.0	08
	18	18	1 20UNEF	31.5	23.5	30.5	10
	20	20	1 1/8-18UNEF	32.0	25.0	33.0	12
	22	22	1 1/4-18UNEF	33.0	25.5	33.5	14
	24	24	1 3/8-18UNEF	33.5	26.0	36.0	16
	28	28	1 5/8-18UNEF	35.0	27.0	37.5	18
	32	32	1 7/8-16UN	36.5	28.0	40.0	22
36	36	1 1/8-16UN	38.0	29.0	45.0	24	

UNIT: mm

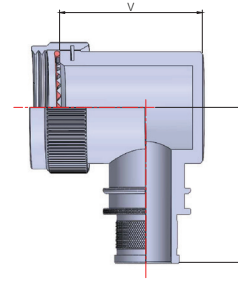
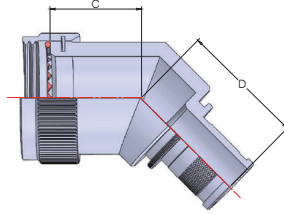
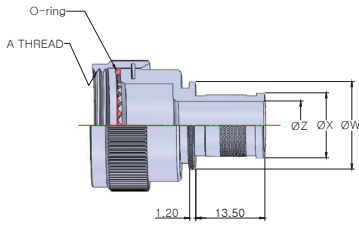
Entry Size

Code No.	Entry Size	V Max	ØW	ØX	ØZ
58	04	43.5	14.0	9.5	6.3
	05	44.5	15.6	11.1	7.9
	06	46.0	17.2	12.7	9.5
	07	47.5	18.8	14.3	11.0
	08	49.5	20.3	15.9	12.7
	10	52.5	23.5	19.0	15.8
	12	55.5	26.7	22.2	19.0
	14	59.0	29.8	25.4	22.2
	16	62.0	33.0	28.5	25.4
	18	65.0	36.2	31.7	28.5
20	69.0	39.3	34.9	31.7	
22	71.0	42.5	38.1	34.9	
24	73.5	45.7	41.3	38.1	

UNIT: mm

ADAPTER

Band Strap Type or Spring Coil



CODE 18 MIL-C-5015(MS3100)

Shell Size

UNIT: mm

Code No.	Shell Size	Connector Shell Size	A Thread (Class : 2B)	C		E	Max Entry Size
					Max		
18	08	8S	7/16-28UNEF	20.3	23.4	31.2	04
	10	10S	1/2-28UNEF	21.1	24.1	31.2	06
	11	10SL	9/16-24UNEF	21.1	24.1	31.2	07
	12	12 & 12S	5/8-24UNEF	21.1	24.1	31.2	08
	14	14 & 14S	3/4-20UNEF	21.8	24.9	33.0	10
	16	16 & 16S	7/8-20UNEF	22.6	25.9	36.1	12
	18	18	1-20UNEF	23.4	26.7	37.6	12
	20	20	1 1/8-18UNEF	24.1	27.4	39.4	16
	22	22	1 1/4-18UNEF	24.9	28.2	40.9	18
	24	24	1 3/8-18UNEF	24.9	28.2	42.4	20
	28	28	1 5/8-18UNEF	27.4	29.7	47.2	24
	32	32	1 7/8-16UN	28.2	31.2	48.8	24
36	36	2 1/8-16UN	31.2	32.3	52.1	24	

Entry Size

UNIT: mm

Code No.	Entry Size	V Max	ØW	ØX	ØZ
05	34.3	15.5	11.05	7.9	
06	35.8	17.1	12.65	9.5	
07	37.3	18.7	14.21	11.0	
08	39.1	20.3	15.81	12.7	
10	41.4	23.5	18.97	15.8	
12	45.5	26.7	22.15	19.0	
14	48.8	29.8	25.31	22.2	
16	51.8	33.0	28.48	25.4	
18	54.9	36.2	31.66	28.5	
20	58.2	39.4	34.83	31.7	
22	66.8	42.5	37.97	34.9	
24	70.1	45.7	41.15	38.1	

CODE 21 MIL-C-26482 Series I

Shell Size

UNIT: mm

Code No.	Shell Size	Connector Shell Size	A Thread (Class : 2B)	C		E	Max Entry Size
					Max		
21	08	8S	7/16-28UNEF	21.6	23.1	29.0	04
	10	10S	9/16-24UNEF	22.4	23.9	30.5	06
	12	12	11/16-24UNEF	23.1	24.6	32.3	08
	14	14	13/16-20UNEF	23.4	24.9	33.5	10
	16	16	15/16-20UNEF	24.1	25.7	34.8	12
	18	18	1 1/16-18UNEF	24.4	25.9	36.3	12
	20	20	1 3/16-18UNEF	25.1	26.7	38.1	14
	22	22	1 5/16-18UNEF	25.7	27.4	39.6	16
	24	24	7/16-18UNS	26.2	27.7	40.9	18

Entry Size

UNIT: mm

Code No.	Entry Size	V Max	ØW	ØX	ØZ
05	32.8	15.5	11.1	7.9	
06	34.3	17.1	12.7	9.5	
07	35.8	18.7	14.2	11.0	
08	37.3	20.3	15.8	12.7	
10	40.6	23.5	19.0	15.8	
12	43.7	26.7	22.15	19.0	
14	47.0	29.8	25.31	22.2	
16	50.0	33.0	28.48	25.4	
18	53.3	36.2	31.66	28.5	

CODE 40 MIL-C-38999 Series III and IV

Shell Size

UNIT: mm

Code No.	Shell Size	Connector Shell Size	A Thread (Class : 2B)	C		E	Max Entry Size
					Max		
40	08	9	M12x1.0	20.8	22.6	27.9	4
	10	11	M15x1.0	21.3	23.4	30.5	07
	12	13	M18x1.0	22.1	24.1	32.0	08
	14	15	M22x1.0	22.6	24.1	34.0	10
	16	17	M25x1.0	23.4	24.9	35.6	12
	18	19	M28x1.0	24.1	25.7	36.8	14
	20	21	M31x1.0	24.6	26.4	38.4	16
	22	23	M34x1.0	25.4	27.2	39.9	18
	24	25	M37x1.0	25.9	27.2	42.4	20

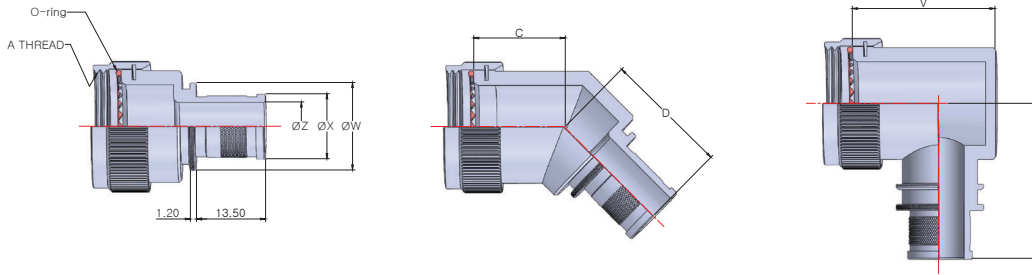
Entry Size

UNIT: mm

Code No.	Entry Size	V Max	ØW	ØX	ØZ
05	32.8	15.5	11.05	7.9	
06	34.3	17.1	12.65	9.5	
07	36.1	18.7	14.21	11.0	
08	37.6	20.3	15.81	12.7	
10	40.6	23.5	18.97	15.8	
12	43.9	26.7	22.15	19.0	
14	47.0	29.8	25.31	22.2	
16	50.8	33.0	28.48	25.4	
18	54.1	36.2	31.66	28.5	
20	57.2	39.4	34.83	31.7	

ADAPTER

Band Strap Type



CODE 41 MIL-C-38999 Series I and II

Shell Size

UNIT: mm

Code No.	Shell Size	Connector Shell Size		A Thread (Class : 2B)	C	D Max	E	Max Entry Size
		Series I	Series II					
41	08	9	8	7/16-28UNEF	17.5	22.6	27.9	04
	10	11	10	9/16-24UNEF	18.3	23.4	30.5	06
	12	13	12	11/16-24UNEF	18.3	24.1	32.0	08
	14	15	14	13/16-20UNEF	19.3	24.1	34.0	10
	16	17	16	15/16-20UNEF	20.1	24.9	35.6	12
	18	19	18	1 1/16-18UNEF	20.6	25.7	36.8	12
	20	21	20	1 3/16-18UNEF	21.3	26.4	38.4	14
	22	23	22	1 5/16-18UNEF	22.1	27.2	39.9	16
	24	25	24	1 7/16-18UNS	22.6	27.2	42.4	18

Entry Size

UNIT: mm

Code No.	Entry Size	V Max	ØW	ØX	ØZ
05	28.7	15.5	11.05	7.9	
06	30.2	17.1	12.65	9.5	
07	31.8	18.7	14.21	11.0	
08	33.5	20.3	15.81	12.7	
10	36.6	23.5	18.97	15.8	
12	39.9	26.7	22.15	19.0	
14	42.9	29.8	25.31	22.2	
16	46.2	33.0	28.48	25.4	
18	49.3	36.2	31.66	28.5	

CODE 54 MIL-C-5015(MS3400), MIL-C-26482 Series II

Shell Size

UNIT: mm

Code No.	Shell Size	Connector Shell Size		A Thread (Class : 2B)	C	D Max	E	Max Entry Size
		26482-II	MIL-C-5015					
54	08	8	8 & 8S	1/2-20UNF	19.1	23.1	27.9	04
	10	10	10, 10S & 10SL	5/8-24UNEF	19.6	23.6	30.5	06
	12	12	12 & 12S	3/4-20UNEF	20.3	24.1	32.0	08
	14	14	14 & 14S	7/8-20UNEF	20.8	24.6	34.0	10
	16	16	16 & 16S	1 -20UNEF	21.3	25.4	35.6	12
	18	18	18	1 1/16-18UNEF	21.8	25.7	36.8	12
	20	20	20	1 3/16-18UNEF	22.4	26.4	38.4	14
	22	22	22	1 5/16-18UNEF	23.1	26.9	39.9	16
	24	24	24	1 7/16-18UNS	23.6	27.7	42.4	18

Entry Size

UNIT: mm

Code No.	Entry Size	V Max	ØW	ØX	ØZ
05	30.2	15.5	11.05	7.9	
06	31.8	17.1	12.65	9.5	
07	33.3	18.7	14.21	11.0	
08	35.1	20.3	15.81	12.7	
10	38.1	23.5	18.97	15.8	
12	41.1	26.7	22.15	19.0	
14	44.5	29.8	25.31	22.2	
16	47.8	33.0	28.48	25.4	
18	50.8	36.2	31.66	28.5	

CODE 58 VG95234 Series (JWB)

Shell Size

UNIT: mm

Code No.	Shell Size	Connector Shell Size	A Thread (Class : 2B)	C	D Max	E	Max Entry Size	
								58
12	12 & 12S	5/8-24UNEF	17.5	26.5	28.0	06		
14	14 & 14S	3/4-20UNEF	18.0	26.5	28.5	07		
16	16 & 16S	7/8-20UNEF	19.0	28.0	30.0	08		
18	18	1	20UNEF	19.5	28.5	30.5	10	
20	20	1	1/8-18UNEF	20.0	29.0	33.0	12	
22	22	1	1/4-18UNEF	20.5	29.5	33.5	14	
24	24	1	3/8-18UNEF	21.0	30.0	36.0	16	
28	28	1	5/8-18UNEF	22.5	31.5	37.5	18	
32	32	1	7/8-16UN	23.0	38.0	40.0	22	
36	36	1	1/8-16UN	24.5	39.5	45.0	24	

Entry Size

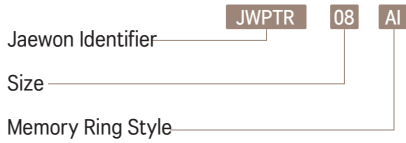
UNIT: mm

Code No.	Entry Size	V Max	ØW	ØX	ØZ	Entry Size
05	44.5	15.6	11.1	7.9	HE100	
06	46.0	17.2	12.7	9.5	HE100	
07	47.5	18.8	14.3	11.0	HE100	
08	49.5	20.3	15.9	12.7	HE200	
10	52.5	23.5	19.0	15.8	HE200	
12	55.5	26.7	22.2	19.0	HE200	
14	59.0	29.8	25.4	22.2	HE300	
16	62.0	33.0	28.5	25.4	HE300	
18	65.0	36.2	31.7	28.5	HE400	
20	69.0	39.3	34.9	31.7	HE400	
22	71.0	42.5	38.1	34.9	HE400	
24	73.5	45.7	41.3	38.1	HE400	

ADAPTER

Band Strap Type

Memory Ring Option



AI - Ring accomedates a single 36 AWG braid per QQ-b-575
 BI - Ring accomedates a single 30 AWG braid or double 36 AWG braids per QQ-B-575



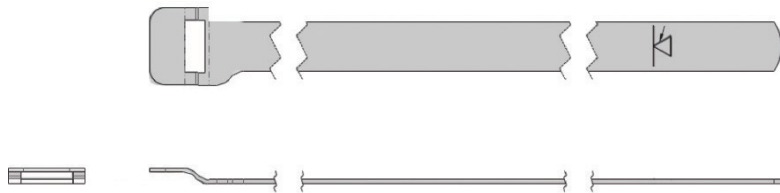
Memory Ring

UNIT: mm

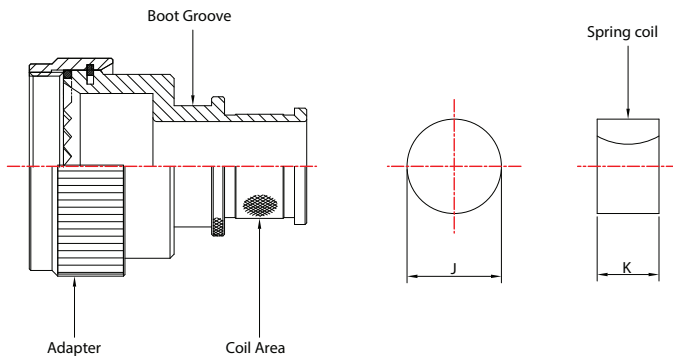
Size	Adapter Øx	AI		BI	
		AS Supplied	Recored	AS Supplied	Recovered
04	04	10.1	9.7	10.6	10.2
05	05	11.7	11.2	12.2	11.7
06	06	13.3	12.7	14	13.3
07	07	14.9	14.2	15.4	14.7
08	08	16.6	15.8	17.1	16.3
10	10	19.9	18.9	20.4	19.4
12	12	23.2	22.1	23.7	22.6
14	14	26.5	25.1	27.0	25.6
16	16	29.8	28.3	30.3	28.7
18	18	33.1	31.4	33.6	31.9
20	20	36.4	34.5	36.9	35

All Dimmensions are in Milimeters

Band Strap



Spring coil Ref. & Entry Size



UNIT: mm

Entry Size	Spring coil Ref.	J	K
03, 04	HE050	7.3	9.5
05, 06, 07	HE100	9.2	9.5
08, 10	HE200	14.5	9.5
12, 14, 16	HE300	18.5	9.5
18, 20, 22, 24	HE400	25.0	9.5

CABLE ASSEMBLY

Military / EMI Cable Assembly

EMI/Military Cable Assembly is a product for power connection and electronics signal connection to facilities and equipment that require various precision and higher functions such as armored vehicles, warships ships, medical equipment, and communication facilities, which are produced by adopting a connector designed and developed to be optimized for the relevant facility in our company.

EMI/군수용 Cable Assembly는 장갑차, 군함/선박, 의료장비, 통신 설비 등 각종 정밀 · 고기능을 요구하는 설비와 장비에 대한 전원 접속과 전자 신호 접속용 제품으로서, 당사에서 해당 설비에 최적화하여 설계 개발한 Connector를 채용하여 생산 공급함.



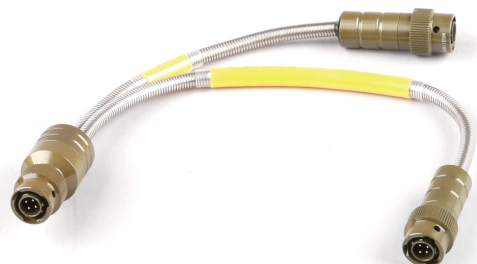
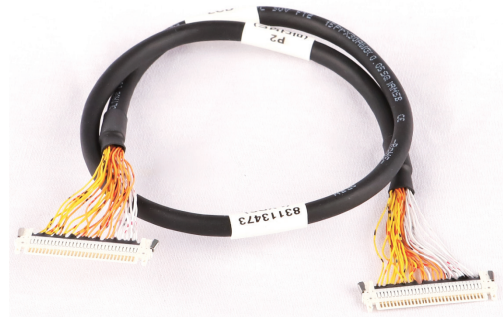
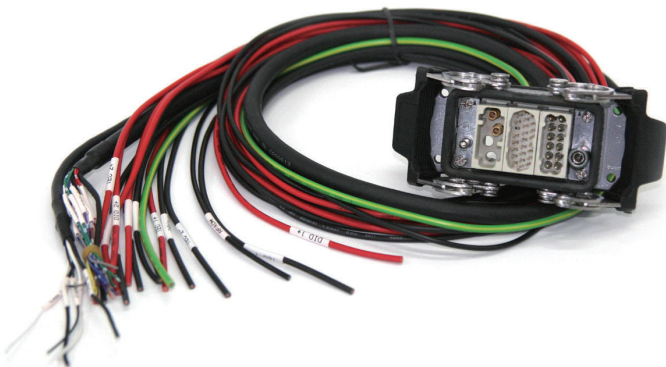
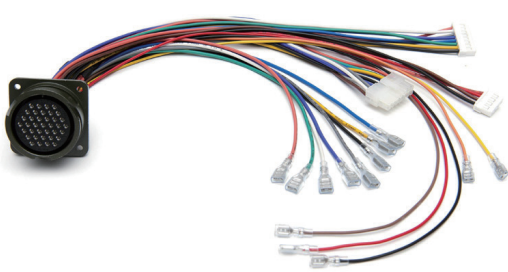
CABLE ASSEMBLY

Cable Assembly for Industry

Industrial Cable Assembly is a product used for power connection and electronic signal connection to various industrial devices such as transmission and distribution facilities, machine tools, factory automation facilities, and plant facilities.

We are pursuing to maximize safety and convenience by adopting the best connectors developed and produced by our company.

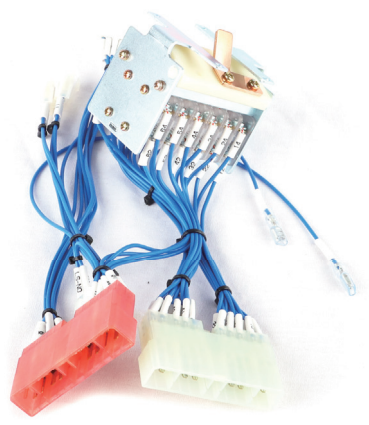
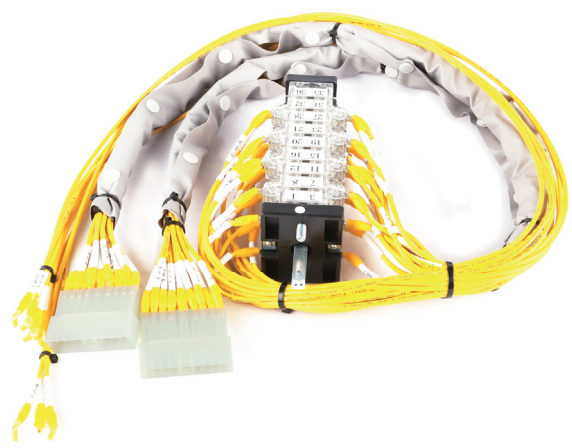
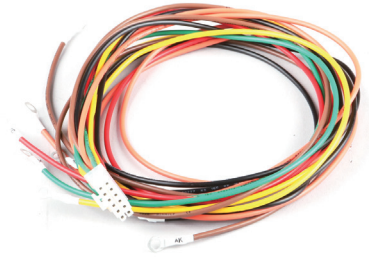
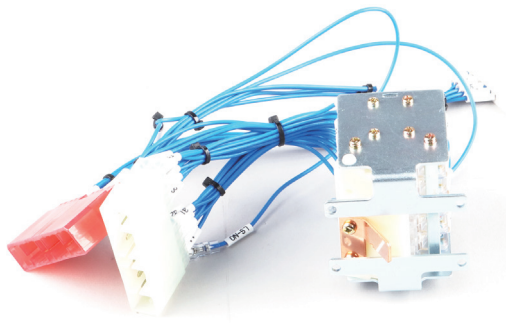
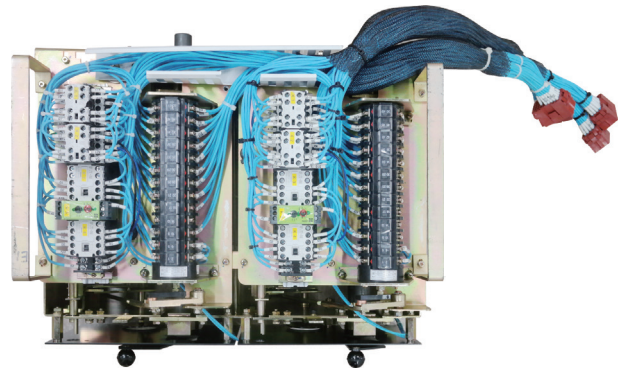
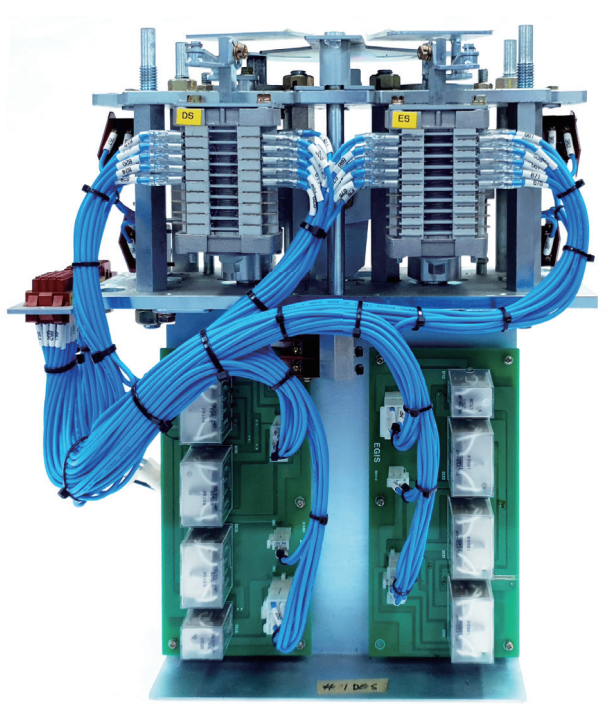
산업용 Cable Assembly는 송배전 설비, 공장 기계, 공장 자동화 설비, 플랜트 설비 등 각종 산업기기에 대한 전원 접속과 전자 신호 접속에 사용하는 제품으로서, 당사에서 개발 생산하는 최상의 Connector를 채용하여 안전성과 편리성을 도모함.



WARING HARNESS

Harness is essential good for wide range of precision instrument operation using power connection for medium / large capacity and electron control signal connection. It can be used for generator, power rectifier, change equipment, power distribution, railway management equipment and more applications. This is specially designed to meet user environment demand conditions such as high-insulation tolerance, sturdy connection mechanism and high temperature tolerance and impact tolerance

전력기기 산업용 Harness는 중대 용량의 전원 접속과 전기 전자 제어신호 접속으로 각종 정밀기기 운용에 필수적인 제품으로서 발전기, 전력변환기, 각종 변전설비, 배전설비, 철도 운용 설비 등 다양한 분야에 사용되며, 높은 절연 내성과 견고한 접속 메커니즘 및 내 고온성, 내충격성 등의 환경적 요구 규격에 적합하도록 설계된 제품.



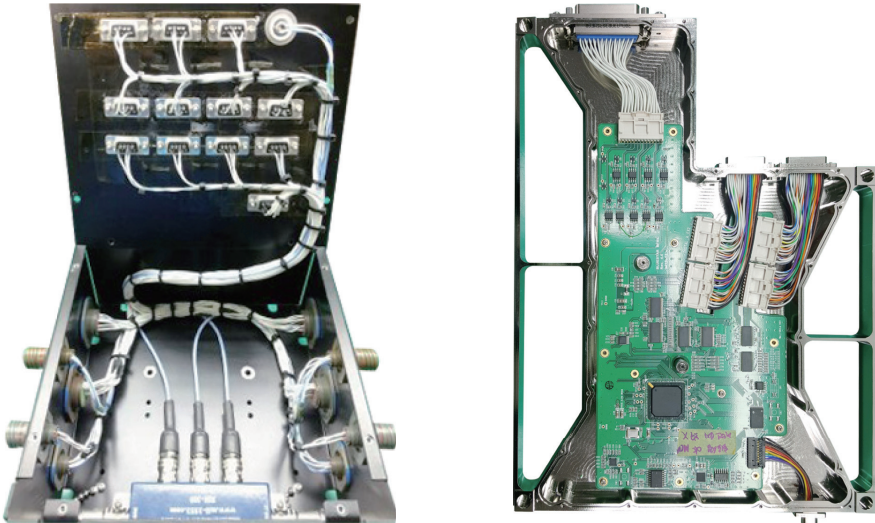
ELECTRIC ELECTRON Equipment

We produce electrical and electronic equipment by redesigning connectors, cable assemblies, and harness developed and produced with optimized, communication Equipment. Man-Less observation Equipment, Line Potential & Temperature Signaler etc.

전기 전자 장비(ELECTRIC / ELECTRON Equipment)는 당사에서 개발 생산하는 Connector, Cable Assembly, Harness 개발 및 공정기술을 채용하여 전기 전자 통신장비, 무인 관측 장비, 전기선로 관측 장비 등을 최적화하여 생산한 제품



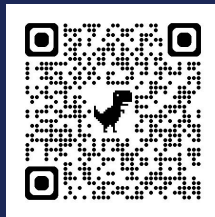
LPS(Line Potential Signaller) / / LPTS(Line Potential & Temperature Signaler)



MEMO

About Us	JW5015	JWB95234	JWGE96929	JW26482-I	JW26482-II	JW38999-III	JW38999-IV	JW22992 C.&R	JW22992 L	HERMETIC	SPECIAL	ADAPTER	CABLE ASSEMBLY	HARNESS
----------	--------	----------	-----------	-----------	------------	-------------	------------	--------------	-----------	----------	---------	---------	----------------	---------

JW5015 CONNECTOR(MIL-DTL-5015 Style)
JVG95234 CONNECTOR(VG95234)
JW26482-I CONNECTOR(MIL-DTL-26482-I Style)
HERMATIC CONNECTOR
SPECIAL CONNECTOR
ADAPTER
HARNESS
ELECTRIC / ELECTRON Equipment



재원 **JAEWON**
HIGH-TECH CO.,LTD.
(주)재원하이텍

631, Neungheodae-ro, Namdong-gu, Incheon, Republic of Korea
인천광역시 남동구 능허대로 631(고잔동 709-14번지)
Tel : 025-85422485
E-mail : nowking@163.com
<http://www.jaewon.com.cn>